

PCI-SIG M.2 Specification Compatible Card Edge Connector CONNECTOR**SM3 Series**

MB-0261-6

Jan. 2022

RoHS Compliant



The “SM3 Series” is a PCI-SIG PCI Express® M.2 Specification compatible, card edge connector into which multiple modules equipped on PCs such as Wi-Fi®, Bluetooth®, SSD, and others can be inserted.

PCI Express® is a registered trademark of PCI-SIG.

Wi-Fi® is a registered trademark of Wi-Fi Alliance.

Bluetooth® is a registered trademark of Bluetooth SIG

Applicable Markets

Notebook PC, tablet PC, portable game devices, STB, and others (SSD, wireless module use)

Features

- Compliant with PCI Express M.2 Specification and enables transmission of PCIe Gen4 (on board type) / PCIe Gen3 (mid mount type), USB3.0, DisplayPort, SATA, and others.
- 0.5mm pitch (2 row), 67 positions, compact card edge connector.
- Available in five types: three on-board types of different product height and two mid-mount types. Products with 4.1mm product height can mount 1mm height parts on the bottom side of the module.
- 4 polarizing keys are available for compatibility with multiple modules used in different applications.

General Specifications

No. of Contacts	67 positions
Rated Current	0.5A per pin
Contact Resistance	55mΩ max.
Insulation Resistance	500MΩmin. (initial)
Dielectric Withstanding Voltage	AC300Vr.m.s for 1 minute
Mating Cycles	60 times
Operating Temperature	-40 Deg. C ~ +80 Deg. C

Materials and Finishes

Component	Material / Finish
Hold-down	Copper alloy / Sn plating over Ni
Upper Contact	Contact area: Copper alloy / Au plating over Ni Terminal area: Copper alloy / Au flash plating over Ni
Lower Contact	Contact area: Copper alloy / Au plating over Ni Terminal area: Copper alloy / Au flash plating over Ni
Insulator	Heat resistant plastic

Product Line-up

SM3 Z S 067 U 310 * * * R*****

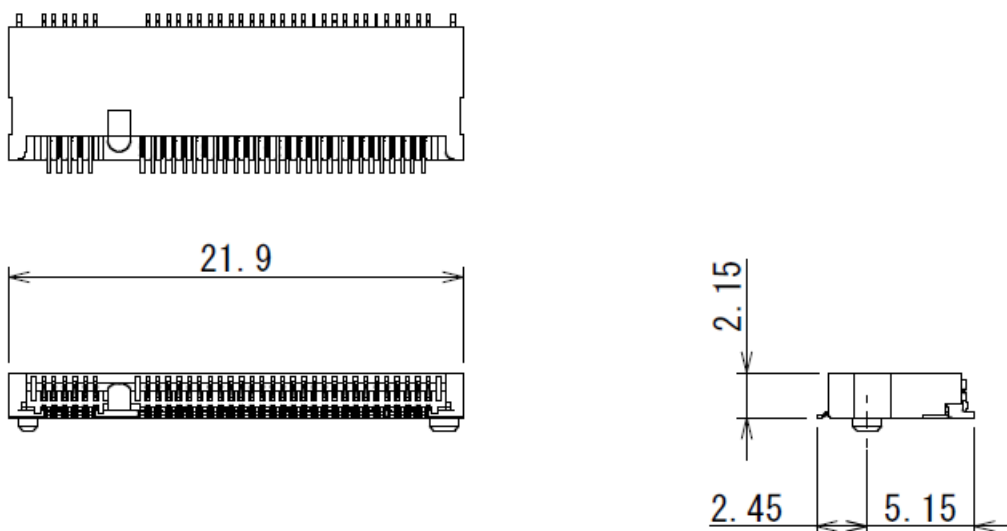
U: On-board Mounting B: Mid-mount Product Height 120: 1.20mm 215: 2.15mm 310: 3.10mm 410: 4.10mm	Contact Area Finish (MIN) A : Au 0.13μm B : Au 0.25μm T : Au 0.025μm	Polarizing Key A/B/E/M	Modification Code	Reeled Quantity	Specification Drawing (Connector / Reel) Test report
U215	A	A/B/E/M	-	R1500	JACS-10937 SJ113567/SJ113568 SJ113857/SJ113858 (no boss) SR-C-1317
		B/E	1 (no boss)		
	B	B/E/M	-		
	T	A/B/E/M	-		
U310	A	A/B/E/M	-	R1200	JACS-10941 SJ113505/SJ113506 SR-C-1225
	B	A/B			
	T	A/B/E/M			
U410	A	A/B/E/M	-	R1000	JACS-10941 SJ113503/SJ113504 SR-C-1249
	B	A/B			
	T	A/B			
B120	A	E/M	1 (TH mount)	R1500	JACS-11000 SJ114362/SJ114363 SR-C-1322
		B/E/M	2 (SMT mount)		

SMT Nut

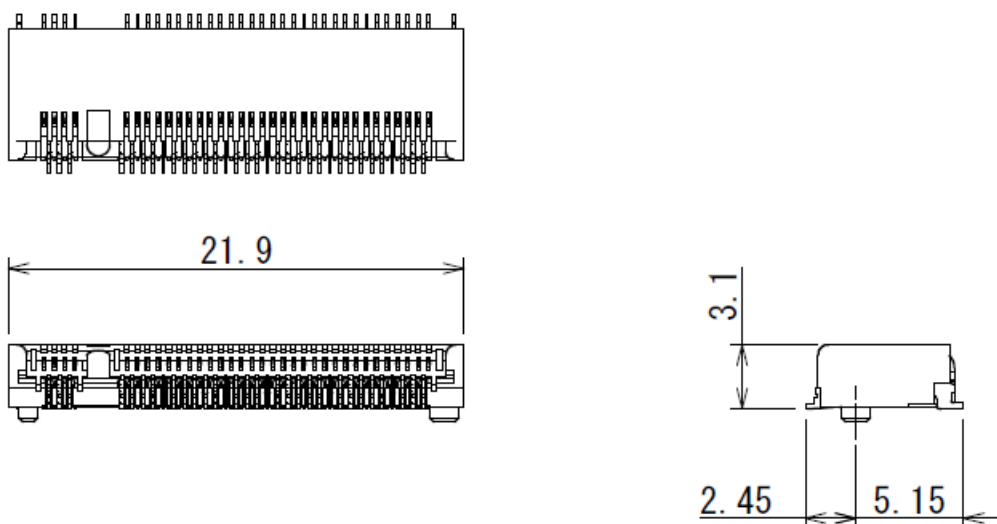
Compatible Connector	SMT Nut		
		Part Number	Drawing
SM3ZS067U310*	Nut	SM3ZS067U310-NUT1	SJ116266
	Reel	SM3ZS067U310-NUT1-R1800	SJ116261
SM3ZS067U410*	Nut	SM3ZS067U410-NUT1	SJ116266
	Reel	SM3ZS067U410-NUT1-R1200	SJ116260

Outer Dimensions

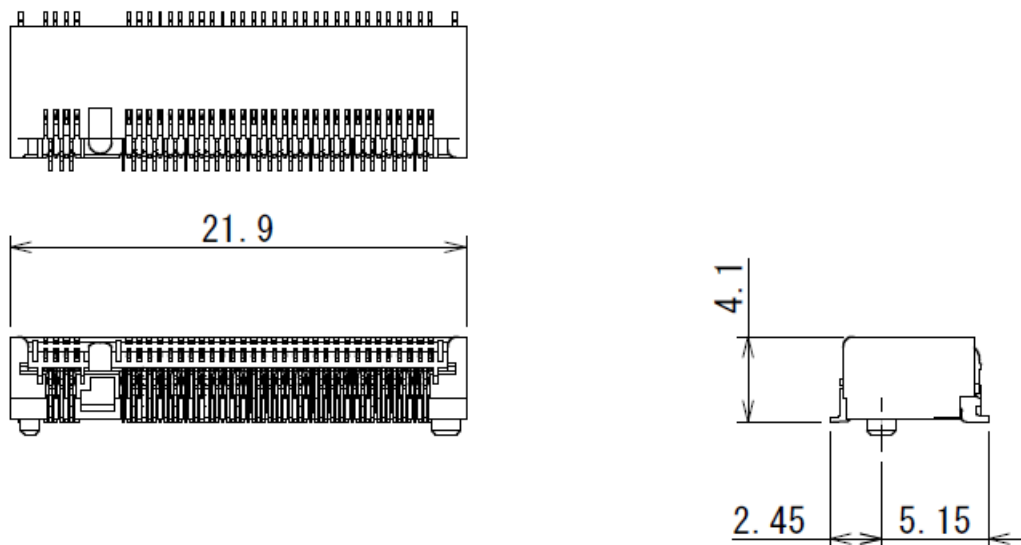
SM3ZS067U215*** (Product height: 2.15mm)



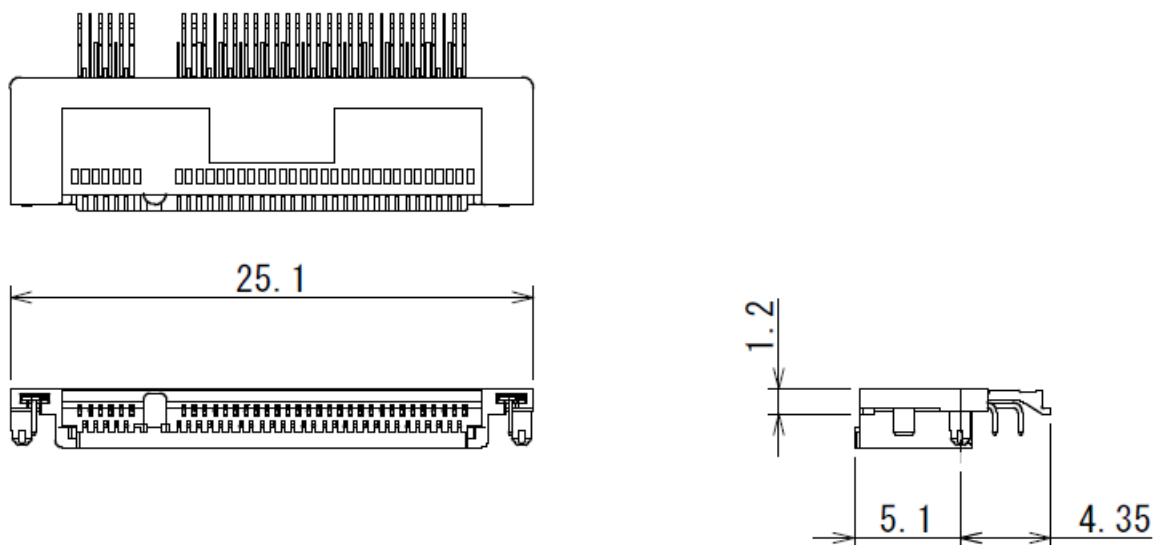
SM3ZS067U310*** (Product height: 3.1mm)



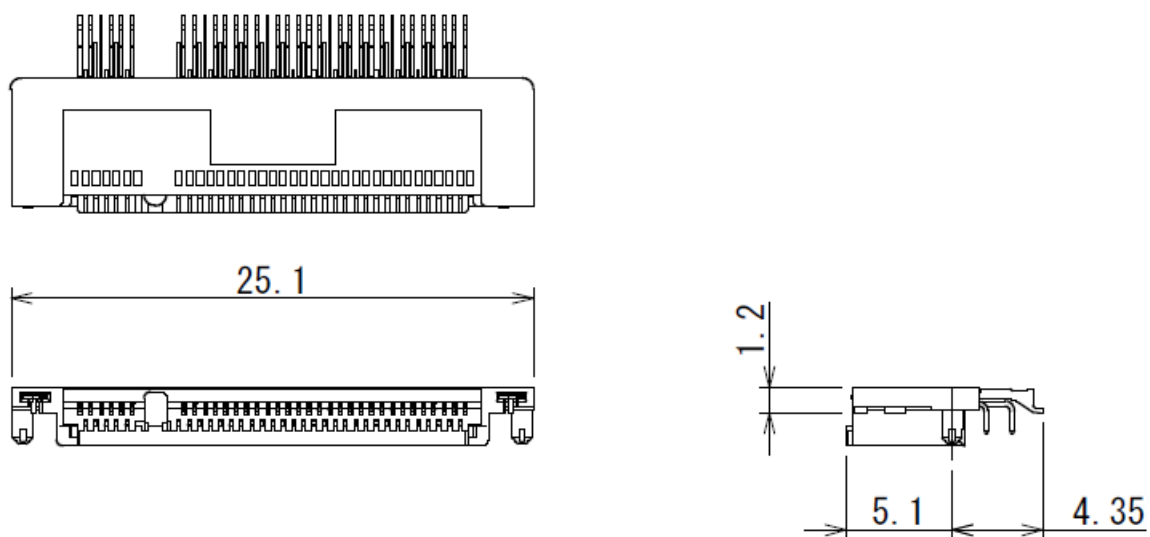
SM3ZS067U410*** (Product height: 4.1mm)



SM3ZS067B120**1 (Product height: 1.2mm, TH mounting)



SM3ZS067B120**2 (Product height: 1.2mm, SMT mounting)



Notice:

1. The values specified in this brochure are only for reference. The products and their specifications are subject to change without notice. Contact our sales staff for further information before considering or ordering any of our products. For purchase, a product specification must be agreed upon.
2. Users are requested to provide protection circuits and redundancy circuits to ensure safety of the equipment, and sufficiently review the suitability of JAE's products to the equipment.
3. The products presented in this brochure are designed for the uses recommended below. We strongly suggest you contact our sales staff when considering use of any of the products in any other way than the recommended applications or for a specific use that requires an extremely high reliability.
 - (1) Applications that require consultation:
 - (i) Please contact us if you are considering use involving a quality assurance program that you specify or that is peculiar to the industry, such as:
Automotive electrical components, train control, telecommunications devices (mainline), traffic light control, electric power, combustion control, fire prevention or security systems, disaster prevention equipment, etc.
 - (ii) We may separately give you our support with a quality assurance program that you specify, when you think of a use such as :
Aviation or space equipment, submarine repeaters, nuclear power control systems, medical equipment for life support, etc.
 - (2) Recommended applications include:
Computers, office appliances, telecommunications devices (terminals, mobile units), measuring equipment, audiovisual equipment, home electric appliances, factory automation equipment, etc.

Japan Aviation Electronics Industry, Limited

* The specifications in this brochure are subject to change without notice. Please contact JAE for information.