

Part Number : [387536704](#)

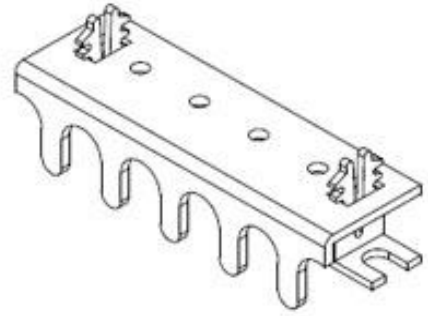
Product Description : Wrap-Around Cover Kit For 9.53mm Pitch Tri-Barrier Terminal Strips, 4 Circuits

Series Number : 38753

Status : Obsolete

Product Category : Connector Accessories

Engineering Part Number : CW0504



Documents and Resources

Drawings

[387536704 sd.pdf](#)

Product Environment Compliance

Compliance

GADSL/IMDS	Not Relevant
China RoHS	^e per SJ/T 11365-2006
EU ELV	Not Relevant
Low-Halogen Status	Not Low-Halogen per IEC 61249-2-21
REACH SVHC	Not Contained per D(2025)7771-DC (04 Feb 2026)
EU RoHS	Compliant per EU 2015/863

Compliance Statements

- EU RoHS
- REACH SVHC
- Low-Halogen

Industry Documents

- IPC 1752A Class C
- IPC 1752A Class D
- Molex Product Compliance Declaration
- IEC-62474
- chemSHERPA (xml)

Substances of Interest

- PFAS

EU RoHS Certificate of Compliance

Additional Product Compliance Information

Part Details

General

Status	Obsolete
Category	Connector Accessories
Series	38753
Description	Wrap-Around Cover Kit For 9.53mm Pitch Tri-Barrier Terminal Strips, 4 Circuits
Component Type	Cover Kit
Product Name	N/A
UPC	800756342139

Physical

Circuits (Loaded)	4
Circuits (maximum)	4
Color - Resin	Black
Lock to Mating Part	Yes
Material - Resin	Polyester Alloy
Net Weight	2.120/g
Packaging Type	Bag
Temperature Range - Operating	-40° to +105°C

Solder Process Data

Lead-Free Process Capability	WAVE
------------------------------	------

This document was generated on Apr 15, 2026