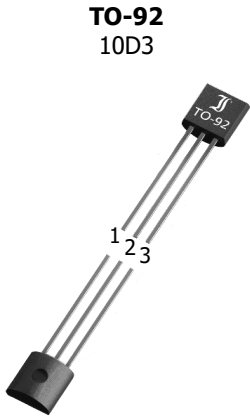
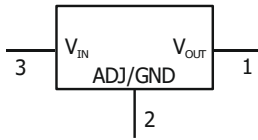


DI78LxxZAB Positive Fixed Voltage Regulators Positive Festspannungs-Regler	V_{IN} = 30 ... 40 V V_{OUT} = 3.3 ... 24 V Tol. = ± 5.0 %	I_O = 0.1 A T_{jmax} = 125°C
---	---	---

Version 2026-03-30



SPICE Model & STEP File ¹⁾



Marking Code

See next pages | s. nächste Seiten

HS Code 85423990

Typical Applications

- Linear regulators
- Post regulators for switch mode
- DC-DC converters
- Battery backed-up regulated supply
- Commercial grade ¹⁾

Features

- Thermal overload protection
- Short circuit protection
- Fixed voltage range: 3.3V, 5.0V, 6.0V, 8.0V, 9.0V, 10V, 12V, 15V, 18V, 24V
- Also available in SOT-89, SO-8 packages
- Compliant to RoHS (w/o exemp.)
- REACH, Conflict Minerals ¹⁾

Mechanical Data ¹⁾

- In Bulk (Raster 1.27)
- Weight approx. 0.18 g
- Case material UL 94V-0
- Solder & assembly conditions 260°C/10s
- MSL = N/A



Typische Anwendungen

- Linearregler
- Ausgangsregler für getaktete Gleichstromwandler
- Batterie-gestützte Spannungsversorgung Standardausführung¹⁾

Besonderheiten

- Thermische Überlastsicherung
- Kurzschlussfest
- Festspannungswerte: 3.3V, 5.0V, 6.0V, 8.0V, 9.0V, 10V, 12V, 15V, 18V, 24V
- Auch erhältlich im SOT-89, SO-8 Gehäuse
- Konform zu RoHS (ohne Ausn.)
- REACH, Konfliktmineralien ¹⁾

Mechanische Daten ¹⁾

- 2000 Schüttgut (Raster 1.27)
- 0.18 g Gewicht ca.
- UL 94V-0 Gehäusematerial
- 260°C/10s Löt- und Einbaubedingungen
- MSL = N/A

Maximum ratings ²⁾

Grenzwerte ²⁾

Input voltage Eingangsspannung	V _{OUT} = 3.3 ... 9V V _{OUT} = 12 ... 15V V _{OUT} = 18 ... 24V	V _{IN}	30 V 35 V 40 V
Output current – Ausgangsstrom		I _O	100 mA
Power dissipation Verlustleistung	Internally limited Intern begrenzt	P _{tot}	P _{tot} = (T _{jmax} – T _A)/R _{thA}
Junction temperature – Sperrschichttemperatur		T _j	-40 ... +125°C
Storage temperature – Lagerungstemperatur		T _s	-55...+150°C

¹ Please note the [detailed information on our website](#) or at the beginning of the data book
Bitte beachten Sie die [detaillierten Hinweise auf unserer Internetseite](#) bzw. am Anfang des Datenbuches
² T_A = 25°C, unless otherwise specified – T_A = 25°C, wenn nicht anders angegeben

Characteristics ¹⁾**Kennwerte ^{1,2)}**

Type Code: B3.3Z	DI78L3.3ZAB	Min.	Typ.	Max.
Output voltage – Ausgangsspannung	V_{OUT}	3.168 V	3.3 V	3.432 V
Output voltage – Ausgangsspannung $I_{OUT} = 1.0$ to 40 mA, $V_{IN} = 5.3$ to 20 V $I_{OUT} = 1.0$ to 70 mA, $V_{IN} = 8.3$ V	V_{OUT}	3.135 V 3.135 V	- -	3.465 V 3.465 V
Line Regulation – Betriebsspannungsdurchgriff $V_{IN} = 5.3$ to 20 V $V_{IN} = 6.3$ to 20 V	ΔV_{OUT}	-	-	150 mV 100 mV
Load Regulation – Lastregelung $I_{OUT} = 1.0$ to 100 mA $I_{OUT} = 1.0$ to 40 mA	ΔV_{OUT}	-	-	60 mV 30 mV
Quiescent current – Ruhestrom $T_j = 25^\circ\text{C}$ $T_j = 125^\circ\text{C}$	I_Q	-	-	6.0 mA 5.5 mA
Quiescent current Change – Ruhestromänderung $I_{OUT} = 1.0$ to 40 mA $V_{IN} = 6.3$ to 20 V	ΔI_Q	-	-	0.1 mA 1.5 mA
Ripple Rejection – Störspannungsunterdrückung $I_{OUT} = 40$ mA, $V_{IN} = 6.3$ to 16.3 V, $F = 120$ Hz	V_{RR}	41 dB	49 dB	-
Output Noise Voltage – Ausgangs-Rauschspannung $10\text{Hz} \leq B \leq 100\text{kHz}$		-	40 μV	-
Dropout voltage - Spannungsabfall	V_D	-	1.7 V	-
Typical thermal resistance junction to ambient Typischer Wärmewiderstand Sperrschicht – Umgebung	R_{thA}	200 K/W ²⁾		

1 $T_j = 25^\circ\text{C}$ and $V_{IN} = 8.3$ V, $I_O = 40$ mA, $C_I = 0.33\mu\text{F}$, $C_O = 0.1\mu\text{F}$, unless otherwise specified
 $T_j = 25^\circ\text{C}$ and $V_{IN} = 8.3$ V, $I_O = 40$ mA, $C_I = 0.33\mu\text{F}$, $C_O = 0.1\mu\text{F}$, wenn nicht anders angegeben

2 Valid, if leads are kept at ambient temperature at a distance of 2 mm from case
 Gültig wenn die Anschlussdrähte in 2 mm Abstand vom Gehäuse auf Umgebungstemperatur gehalten werden

Characteristics ¹⁾Kennwerte ^{1, 2)}

Type Code: B05Z	DI78L05ZAB	Min.	Typ.	Max.
Output voltage – Ausgangsspannung	V_{OUT}	4.8 V	5 V	5.2 V
Output voltage – Ausgangsspannung $I_{OUT} = 1.0$ to 40 mA, $V_{IN} = 7$ to 20 V $I_{OUT} = 1.0$ to 70 mA, $V_{IN} = 10$ V	V_{OUT}	4.75 V 4.75 V	- -	5.25 V 5.25 V
Line Regulation – Betriebsspannungsdurchgriff $V_{IN} = 7.0$ to 20 V $V_{IN} = 8.0$ to 20 V	ΔV_{OUT}	-	-	150 mV 100 mV
Load Regulation – Lastregelung $I_{OUT} = 1.0$ to 100 mA $I_{OUT} = 1.0$ to 40 mA	ΔV_{OUT}	-	-	60 mV 30 mV
Quiescent current – Ruhestrom $T_j = 25^\circ\text{C}$ $T_j = 125^\circ\text{C}$	I_Q	-	-	6 mA 5.5 mA
Quiescent current Change – Ruhestromänderung $I_{OUT} = 1.0$ to 40 mA $V_{IN} = 8$ to 20 V	ΔI_Q	-	-	0.1 mA 1.5 mA
Ripple Rejection – Störspannungsunterdrückung $I_{OUT} = 40$ mA, $V_{IN} = 8$ to 18 V, $F = 120$ Hz	V_{RR}	41 dB	49 dB	-
Output Noise Voltage – Ausgangs-Rauschspannung $10\text{Hz} \leq B \leq 100\text{kHz}$		-	40 μV	-
Dropout voltage - Spannungsabfall	V_D	-	1.7 V	-
Typical thermal resistance junction to ambient Typischer Wärmewiderstand Sperrschicht – Umgebung	R_{thA}	200 K/W ²⁾		

1 $T_j = 25^\circ\text{C}$ and $V_{IN} = 10$ V, $I_o = 40$ mA, $C_i = 0.33\mu\text{F}$, $C_o = 0.1\mu\text{F}$, unless otherwise specified
 $T_j = 25^\circ\text{C}$ and $V_{IN} = 10$ V, $I_o = 40$ mA, $C_i = 0.33\mu\text{F}$, $C_o = 0.1\mu\text{F}$, wenn nicht anders angegeben

2 Valid, if leads are kept at ambient temperature at a distance of 2 mm from case
 Gültig wenn die Anschlussdrähte in 2 mm Abstand vom Gehäuse auf Umgebungstemperatur gehalten werden

Characteristics ¹⁾
Kennwerte ^{1, 2)}

Type Code: B06Z	DI78L06ZAB	Min.	Typ.	Max.
Output voltage – Ausgangsspannung	V_{OUT}	5.76 V	6 V	6.24 V
Output voltage – Ausgangsspannung $I_{OUT} = 1.0$ to 40 mA, $V_{IN} = 8.5$ to 20 V $I_{OUT} = 1.0$ to 70 mA, $V_{IN} = 12$ V	V_{OUT}	5.7 V 5.7 V	- -	6.3 V 6.3 V
Line Regulation – Betriebsspannungsdurchgriff $V_{IN} = 8.5$ to 20 V $V_{IN} = 9.0$ to 20 V	ΔV_{OUT}	-	-	150 mV 100 mV
Load Regulation – Lastregelung $I_{OUT} = 1.0$ to 100 mA $I_{OUT} = 1.0$ to 40 mA	ΔV_{OUT}	-	-	60 mV 30 mV
Quiescent current – Ruhestrom $T_j = 25^\circ\text{C}$ $T_j = 125^\circ\text{C}$	I_Q	-	-	6 mA 5.5 mA
Quiescent current Change – Ruhestromänderung $I_{OUT} = 1.0$ to 40 mA $V_{IN} = 9.0$ to 20 V	ΔI_Q	-	-	0.1 mA 1.5 mA
Ripple Rejection – Störspannungsunterdrückung $I_{OUT} = 40$ mA, $V_{IN} = 9.0$ to 20 V, $F = 120$ Hz	V_{RR}	39 dB	46 dB	-
Output Noise Voltage – Ausgangs-Rauschspannung $10\text{Hz} \leq B \leq 100\text{kHz}$		-	50 μV	-
Dropout voltage - Spannungsabfall	V_D	-	1.7 V	-
Typical thermal resistance junction to ambient Typischer Wärmewiderstand Sperrschicht – Umgebung	R_{thA}	200 K/W ²⁾		

1 $T_j = 25^\circ\text{C}$ and $V_{IN} = 12$ V, $I_o = 40$ mA, $C_i = 0.33\mu\text{F}$, $C_o = 0.1\mu\text{F}$, unless otherwise specified
 $T_j = 25^\circ\text{C}$ and $V_{IN} = 12$ V, $I_o = 40$ mA, $C_i = 0.33\mu\text{F}$, $C_o = 0.1\mu\text{F}$, wenn nicht anders angegeben

2 Valid, if leads are kept at ambient temperature at a distance of 2 mm from case
 Gültig wenn die Anschlussdrähte in 2 mm Abstand vom Gehäuse auf Umgebungstemperatur gehalten werden

Characteristics ¹⁾Kennwerte ^{1, 2)}

Type Code: B08Z	DI78L08ZAB	Min.	Typ.	Max.
Output voltage – Ausgangsspannung	V_{OUT}	7.68 V	8 V	8.32 V
Output voltage – Ausgangsspannung $I_{OUT} = 1.0$ to 40 mA, $V_{IN} = 10.5$ to 23 V $I_{OUT} = 1.0$ to 70 mA, $V_{IN} = 14$ V	V_{OUT}	7.6 V 7.6 V	- -	8.4 V 8.4 V
Line Regulation – Betriebsspannungsdurchgriff $V_{IN} = 10.5$ to 23 V $V_{IN} = 11$ to 23 V	ΔV_{OUT}	-	-	175 mV 125 mV
Load Regulation – Lastregelung $I_{OUT} = 1.0$ to 100 mA $I_{OUT} = 1.0$ to 40 mA	ΔV_{OUT}	-	-	80 mV 40 mV
Quiescent current – Ruhestrom $T_j = 25^\circ\text{C}$ $T_j = 125^\circ\text{C}$	I_Q	-	-	6 mA 5.5 mA
Quiescent current Change – Ruhestromänderung $I_{OUT} = 1.0$ to 40 mA $V_{IN} = 11$ to 23 V	ΔI_Q	-	-	0.1 mA 1.5 mA
Ripple Rejection – Störspannungsunterdrückung $I_{OUT} = 40$ mA, $V_{IN} = 12$ to 23 V, $F = 120$ Hz	V_{RR}	37 dB	45 dB	-
Output Noise Voltage – Ausgangs-Rauschspannung $10\text{Hz} \leq B \leq 100\text{kHz}$		-	60 μV	-
Dropout voltage - Spannungsabfall	V_D	-	1.7 V	-
Typical thermal resistance junction to ambient Typischer Wärmewiderstand Sperrschicht – Umgebung	R_{thA}	200 K/W ²⁾		

1 $T_j = 25^\circ\text{C}$ and $V_{IN} = 14$ V, $I_o = 40$ mA, $C_i = 0.33\mu\text{F}$, $C_o = 0.1\mu\text{F}$, unless otherwise specified
 $T_j = 25^\circ\text{C}$ and $V_{IN} = 14$ V, $I_o = 40$ mA, $C_i = 0.33\mu\text{F}$, $C_o = 0.1\mu\text{F}$, wenn nicht anders angegeben

2 Valid, if leads are kept at ambient temperature at a distance of 2 mm from case
 Gültig wenn die Anschlussdrähte in 2 mm Abstand vom Gehäuse auf Umgebungstemperatur gehalten werden

Characteristics ¹⁾**Kennwerte ^{1, 2)}**

Type Code: B09Z	DI78L09ZAB	Min.	Typ.	Max.
Output voltage – Ausgangsspannung	V_{OUT}	8.64 V	9.0 V	9.36 V
Output voltage – Ausgangsspannung $I_{OUT} = 1.0$ to 40 mA, $V_{IN} = 11.5$ to 23 V $I_{OUT} = 1.0$ to 70 mA, $V_{IN} = 15$ V	V_{OUT}	8.55 V 8.55 V	- -	9.45 V 9.45 V
Line Regulation – Betriebsspannungsdurchgriff $V_{IN} = 11.5$ to 23 V $V_{IN} = 12$ to 23 V	ΔV_{OUT}	-	-	225 mV 150 mV
Load Regulation – Lastregelung $I_{OUT} = 1.0$ to 100 mA $I_{OUT} = 1.0$ to 40 mA	ΔV_{OUT}	-	-	80 mV 40 mV
Quiescent current – Ruhestrom $T_j = 25^\circ\text{C}$ $T_j = 125^\circ\text{C}$	I_Q	-	-	6 mA 5.5 mA
Quiescent current Change – Ruhestromänderung $I_{OUT} = 1.0$ to 40 mA $V_{IN} = 12$ to 23 V	ΔI_Q	-	-	0.1 mA 1.5 mA
Ripple Rejection – Störspannungsunterdrückung $I_{OUT} = 40$ mA, $V_{IN} = 12$ to 23 V, $F = 120$ Hz	V_{RR}	37 dB	44 dB	-
Output Noise Voltage – Ausgangs-Rauschspannung $10\text{Hz} \leq B \leq 100\text{kHz}$		-	70 μV	-
Dropout voltage - Spannungsabfall	V_D	-	1.7 V	-
Typical thermal resistance junction to ambient Typischer Wärmewiderstand Sperrschicht – Umgebung	R_{thA}	200 K/W ²⁾		

1 $T_j = 25^\circ\text{C}$ and $V_{IN} = 15$ V, $I_o = 40$ mA, $C_i = 0.33\mu\text{F}$, $C_o = 0.1\mu\text{F}$, unless otherwise specified

$T_j = 25^\circ\text{C}$ and $V_{IN} = 15$ V, $I_o = 40$ mA, $C_i = 0.33\mu\text{F}$, $C_o = 0.1\mu\text{F}$, wenn nicht anders angegeben

2 Valid, if leads are kept at ambient temperature at a distance of 2 mm from case

Gültig wenn die Anschlussdrähte in 2 mm Abstand vom Gehäuse auf Umgebungstemperatur gehalten werden

Characteristics ¹⁾**Kennwerte ^{1, 2)}**

Type Code: B0AZ	DI78L10ZAB	Min.	Typ.	Max.
Output voltage – Ausgangsspannung	V_{OUT}	9.6 V	10.0 V	10.4 V
Output voltage – Ausgangsspannung $I_{OUT} = 1.0$ to 40 mA, $V_{IN} = 12.5$ to 23 V $I_{OUT} = 1.0$ to 70 mA, $V_{IN} = 16$ V	V_{OUT}	9.5 V 9.5 V	- -	10.5 V 10.5 V
Line Regulation – Betriebsspannungsdurchgriff $V_{IN} = 12.5$ to 23 V $V_{IN} = 13$ to 23 V	ΔV_{OUT}	-	-	230 mV 170 mV
Load Regulation – Lastregelung $I_{OUT} = 1.0$ to 100 mA $I_{OUT} = 1.0$ to 40 mA	ΔV_{OUT}	-	-	80 mV 40 mV
Quiescent current – Ruhestrom $T_j = 25^\circ\text{C}$ $T_j = 125^\circ\text{C}$	I_Q	-	-	6 mA 5.5 mA
Quiescent current Change – Ruhestromänderung $I_{OUT} = 1.0$ to 40 mA $V_{IN} = 13$ to 23 V	ΔI_Q	-	-	0.1 mA 1.5 mA
Ripple Rejection – Störspannungsunterdrückung $I_{OUT} = 40$ mA, $V_{IN} = 14$ to 23 V, $F = 120$ Hz	V_{RR}	37 dB	45 dB	-
Output Noise Voltage – Ausgangs-Rauschspannung $10\text{Hz} \leq B \leq 100\text{kHz}$		-	60 μV	-
Dropout voltage - Spannungsabfall	V_D	-	1.7 V	-
Typical thermal resistance junction to ambient Typischer Wärmewiderstand Sperrschicht – Umgebung	R_{thA}	200 K/W ²⁾		

1 $T_j = 25^\circ\text{C}$ and $V_{IN} = 16$ V, $I_o = 40$ mA, $C_i = 0.33\mu\text{F}$, $C_o = 0.1\mu\text{F}$, unless otherwise specified
 $T_j = 25^\circ\text{C}$ and $V_{IN} = 16$ V, $I_o = 40$ mA, $C_i = 0.33\mu\text{F}$, $C_o = 0.1\mu\text{F}$, wenn nicht anders angegeben

2 Valid, if leads are kept at ambient temperature at a distance of 2 mm from case
 Gültig wenn die Anschlussdrähte in 2 mm Abstand vom Gehäuse auf Umgebungstemperatur gehalten werden

Characteristics ¹⁾
Kennwerte ^{1, 2)}

Type Code: BA2Z	DI78L12ZAB	Min.	Typ.	Max.
Output voltage – Ausgangsspannung	V_{OUT}	11.5 V	12.0 V	12.5 V
Output voltage – Ausgangsspannung $I_{OUT} = 1.0$ to 40 mA, $V_{IN} = 14.5$ to 27 V $I_{OUT} = 1.0$ to 70 mA, $V_{IN} = 19$ V	V_{OUT}	11.4 V 11.4 V	- -	12.6 V 12.6 V
Line Regulation – Betriebsspannungsdurchgriff $V_{IN} = 14.5$ to 27 V $V_{IN} = 16$ to 27 V	ΔV_{OUT}	-	-	250 mV 200 mV
Load Regulation – Lastregelung $I_{OUT} = 1.0$ to 100 mA $I_{OUT} = 1.0$ to 40 mA	ΔV_{OUT}	-	-	100 mV 50 mV
Quiescent current – Ruhestrom $T_j = 25^\circ\text{C}$ $T_j = 125^\circ\text{C}$	I_Q	-	-	6.5 mA 6.0 mA
Quiescent current Change – Ruhestromänderung $I_{OUT} = 1.0$ to 40 mA $V_{IN} = 16$ to 27 V	ΔI_Q	-	-	0.1 mA 1.5 mA
Ripple Rejection – Störspannungsunterdrückung $I_{OUT} = 40$ mA, $V_{IN} = 15$ to 25 V, $F = 120$ Hz	V_{RR}	37 dB	42 dB	-
Output Noise Voltage – Ausgangs-Rauschspannung $10\text{Hz} \leq B \leq 100\text{kHz}$		-	80 μV	-
Dropout voltage - Spannungsabfall	V_D	-	1.7 V	-
Typical thermal resistance junction to ambient Typischer Wärmewiderstand Sperrschicht – Umgebung	R_{thA}	200 K/W ²⁾		

1 $T_j = 25^\circ\text{C}$ and $V_{IN} = 19$ V, $I_o = 40$ mA, $C_i = 0.33\mu\text{F}$, $C_o = 0.1\mu\text{F}$, unless otherwise specified
 $T_j = 25^\circ\text{C}$ and $V_{IN} = 19$ V, $I_o = 40$ mA, $C_i = 0.33\mu\text{F}$, $C_o = 0.1\mu\text{F}$, wenn nicht anders angegeben

2 Valid, if leads are kept at ambient temperature at a distance of 2 mm from case
 Gültig wenn die Anschlussdrähte in 2 mm Abstand vom Gehäuse auf Umgebungstemperatur gehalten werden

Characteristics ¹⁾**Kennwerte ^{1, 2)}**

Type Code: BA5Z	DI78L15ZAB	Min.	Typ.	Max.
Output voltage – Ausgangsspannung	V_{OUT}	14.4 V	15.0 V	15.6 V
Output voltage – Ausgangsspannung $I_{OUT} = 1.0$ to 40 mA, $V_{IN} = 17.5$ to 30 V $I_{OUT} = 1.0$ to 70 mA, $V_{IN} = 23$ V	V_{OUT}	14.25 V 14.25 V	- -	15.75 V 15.75 V
Line Regulation – Betriebsspannungsdurchgriff $V_{IN} = 17.5$ to 30 V $V_{IN} = 20$ to 30 V	ΔV_{OUT}	-	-	300 mV 250 mV
Load Regulation – Lastregelung $I_{OUT} = 1.0$ to 100 mA $I_{OUT} = 1.0$ to 40 mA	ΔV_{OUT}	-	-	150 mV 75 mV
Quiescent current – Ruhestrom $T_j = 25^\circ\text{C}$ $T_j = 125^\circ\text{C}$	I_Q	-	-	6.5 mA 6.0 mA
Quiescent current Change – Ruhestromänderung $I_{OUT} = 1.0$ to 40 mA $V_{IN} = 20$ to 30 V	ΔI_Q	-	-	0.1 mA 1.5 mA
Ripple Rejection – Störspannungsunterdrückung $I_{OUT} = 40$ mA, $V_{IN} = 18.5$ to 28.5 V, $F = 120$ Hz	V_{RR}	34 dB	39 dB	-
Output Noise Voltage – Ausgangs-Rauschspannung $10\text{Hz} \leq B \leq 100\text{kHz}$		-	90 μV	-
Dropout voltage - Spannungsabfall	V_D	-	1.7 V	-
Typical thermal resistance junction to ambient Typischer Wärmewiderstand Sperrschicht – Umgebung	R_{thA}	200 K/W ²⁾		

1 $T_j = 25^\circ\text{C}$ and $V_{IN} = 23$ V, $I_o = 40$ mA, $C_i = 0.33\mu\text{F}$, $C_o = 0.1\mu\text{F}$, unless otherwise specified
 $T_j = 25^\circ\text{C}$ and $V_{IN} = 23$ V, $I_o = 40$ mA, $C_i = 0.33\mu\text{F}$, $C_o = 0.1\mu\text{F}$, wenn nicht anders angegeben

2 Valid, if leads are kept at ambient temperature at a distance of 2 mm from case
 Gültig wenn die Anschlussdrähte in 2 mm Abstand vom Gehäuse auf Umgebungstemperatur gehalten werden

Characteristics ¹⁾**Kennwerte ^{1, 2)}**

Type Code: BA8Z	DI78L18ZAB	Min.	Typ.	Max.
Output voltage – Ausgangsspannung	V_{OUT}	17.3 V	18.0 V	18.7 V
Output voltage – Ausgangsspannung $I_{OUT} = 1.0$ to 40 mA, $V_{IN} = 22$ to 33 V $I_{OUT} = 1.0$ to 70 mA, $V_{IN} = 27$ V	V_{OUT}	17.1 V 17.1 V	- -	18.9 V 18.9 V
Line Regulation – Betriebsspannungsdurchgriff $V_{IN} = 22$ to 33 V	ΔV_{OUT}	-	-	320 mV
Load Regulation – Lastregelung $I_{OUT} = 1.0$ to 100 mA $I_{OUT} = 1.0$ to 40 mA	ΔV_{OUT}	-	-	170 mV 85 mV
Quiescent current – Ruhestrom $T_j = 25^\circ\text{C}$ $T_j = 125^\circ\text{C}$	I_Q	-	-	6.5 mA 6.0 mA
Quiescent current Change – Ruhestromänderung $I_{OUT} = 1.0$ to 40 mA $V_{IN} = 23$ to 33 V	ΔI_Q	-	-	0.1 mA 1.5 mA
Ripple Rejection – Störspannungsunterdrückung $I_{OUT} = 40$ mA, $V_{IN} = 23$ to 33 V, $F = 120$ Hz	V_{RR}	33 dB	38 dB	-
Output Noise Voltage – Ausgangs-Rauschspannung $10\text{Hz} \leq B \leq 100\text{kHz}$		-	120 μV	-
Dropout voltage - Spannungsabfall	V_D	-	1.7 V	-
Typical thermal resistance junction to ambient Typischer Wärmewiderstand Sperrschicht – Umgebung	R_{thA}	200 K/W ²⁾		

1 $T_j = 25^\circ\text{C}$ and $V_{IN} = 27$ V, $I_O = 40$ mA, $C_i = 0.33\mu\text{F}$, $C_o = 0.1\mu\text{F}$, unless otherwise specified

$T_j = 25^\circ\text{C}$ and $V_{IN} = 27$ V, $I_O = 40$ mA, $C_i = 0.33\mu\text{F}$, $C_o = 0.1\mu\text{F}$, wenn nicht anders angegeben

2 Valid, if leads are kept at ambient temperature at a distance of 2 mm from case

Gültig wenn die Anschlussdrähte in 2 mm Abstand vom Gehäuse auf Umgebungstemperatur gehalten werden

Characteristics ¹⁾**Kennwerte ^{1, 2)}**

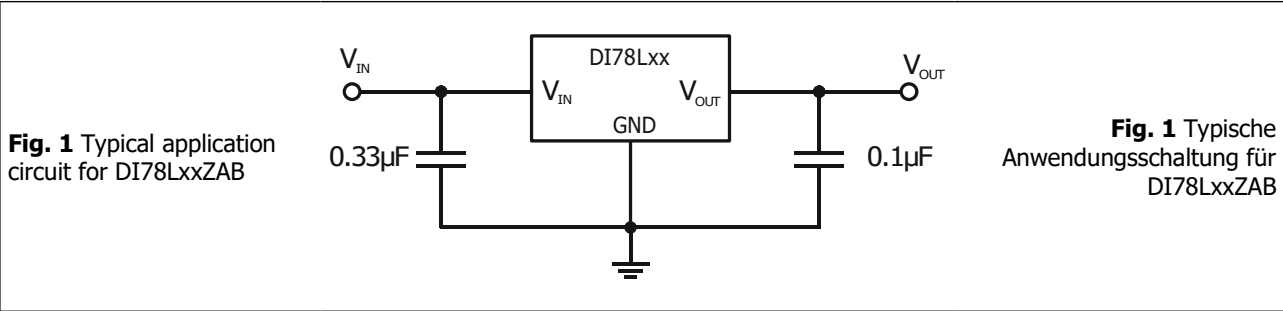
Type Code: BB4Z	DI78L24ZAB	Min.	Typ.	Max.
Output voltage – Ausgangsspannung	V_{OUT}	23.0 V	24.0 V	25.0 V
Output voltage – Ausgangsspannung $I_{OUT} = 1.0$ to 40 mA, $V_{IN} = 27$ to 38 V $I_{OUT} = 1.0$ to 70 mA, $V_{IN} = 33$ V	V_{OUT}	22.8 V 22.8 V	- -	25.2 V 25.2 V
Line Regulation – Betriebsspannungsdurchgriff $V_{IN} = 27$ to 38 V $V_{IN} = 28$ to 38 V	ΔV_{OUT}	-	-	350 mV 300 mV
Load Regulation – Lastregelung $I_{OUT} = 1.0$ to 100 mA $I_{OUT} = 1.0$ to 40 mA	ΔV_{OUT}	-	-	200 mV 100 mV
Quiescent current – Ruhestrom $T_j = 25^\circ\text{C}$ $T_j = 125^\circ\text{C}$	I_Q	-	-	6.5 mA 6.0 mA
Quiescent current Change – Ruhestromänderung $I_{OUT} = 1.0$ to 40 mA $V_{IN} = 28$ to 38 V	ΔI_Q	-	-	0.1 mA 1.5 mA
Ripple Rejection – Störspannungsunterdrückung $I_{OUT} = 40$ mA, $V_{IN} = 23$ to 33 V, $F = 120$ Hz	V_{RR}	31 dB	37 dB	-
Output Noise Voltage – Ausgangs-Rauschspannung $10\text{Hz} \leq B \leq 100\text{kHz}$		-	200 μV	-
Dropout voltage - Spannungsabfall	V_D	-	1.7 V	-
Typical thermal resistance junction to ambient Typischer Wärmewiderstand Sperrschicht – Umgebung	R_{thA}	200 K/W ²⁾		

1 $T_j = 25^\circ\text{C}$ and $V_{IN} = 33$ V, $I_o = 40$ mA, $C_i = 0.33\mu\text{F}$, $C_o = 0.1\mu\text{F}$, unless otherwise specified
 $T_j = 25^\circ\text{C}$ and $V_{IN} = 33$ V, $I_o = 40$ mA, $C_i = 0.33\mu\text{F}$, $C_o = 0.1\mu\text{F}$, wenn nicht anders angegeben

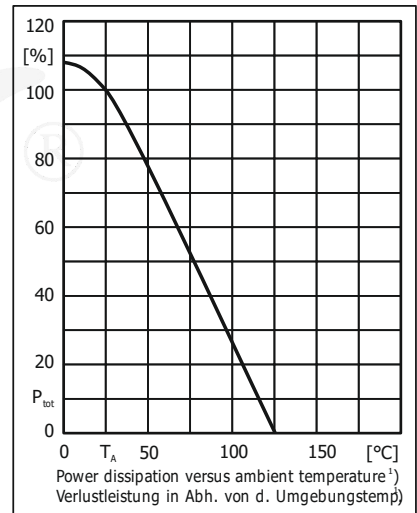
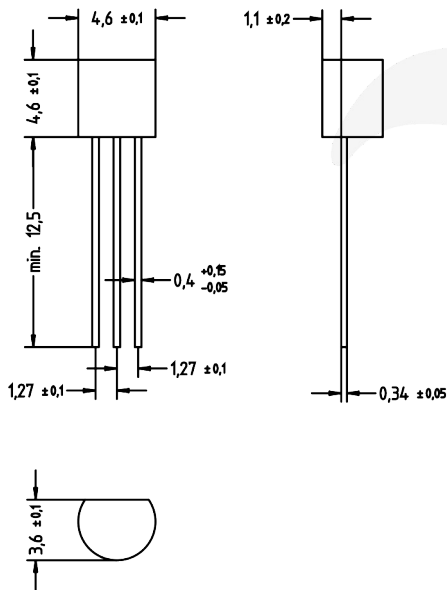
2 Valid, if leads are kept at ambient temperature at a distance of 2 mm from case
 Gültig wenn die Anschlussdrähte in 2 mm Abstand vom Gehäuse auf Umgebungstemperatur gehalten werden

Application note

Applikationshinweis



Dimensions – Maße [mm]



Disclaimer: See data book page 2 or [website](#)
Haftungsausschluss: Siehe Datenbuch Seite 2 oder [Internet](#)

All rights reserved

The information presented in our data sheets and other documents is to the best of our knowledge true and accurate. It describes the type of component or application and shall not be considered as assured characteristics. No warranty or guarantee, expressed or implied is made regarding the capacity, delivery, performance or suitability of any product or circuit etc, neither does it convey any license under the patent rights of others.

Diotec reserves the right to make changes without further notice. However, regular updating of all product information is provided on our website ¹⁾. All Diotec products are sold and shipped subject to our "Standard Terms and Conditions of Business" ²⁾. The reproduction of all documents is prohibited without the expressed written permission of Diotec Semiconductor AG's Managing Board.

Disclaimer

1. All products described or contained are designed and intended for use in standard applications, so called commercial/ industrial grade, requiring an ordinary level of reliability.

2. Some products are available with the special grades "AEC-Q101 compliant" respectively "AEC-Q101 qualified". These are automotive standards ³⁾.

3. Customers using these parts in applications requiring a special or specific grade of quality or reliability, such as (but not limited to) life supporting devices or systems, where failure or malfunction of the product may directly affect human life or health, are obliged to validate whether the use in such cases is appropriate.

Diotec does not assume any liability arising out of such applications or uses of its products. Usage in all such cases is on the own and sole risk of the customer.

4. Although Diotec continuously enhances the quality and reliability of its products, customers must incorporate sufficient safety measures in their designs, such as redundancy, fire containment, and anti-failure, so that personal injury, fire or environmental damage can be prevented. Diotec excludes explicitly every implied warranty or liability regarding the fitness of the products to any other than standard applications.

5. All information described or contained herein are subject to change without notice. Please contact Diotec to obtain the latest information before incorporating Diotec products into any design.

6. All information described and contained herein are intended only to enable the buyer to order Diotec's products. The information must not be used for any other purpose.

7. In the event that any product described or contained herein falls under the category of strategic products controlled by the German Federal Office of Economics and Export Control, this product must not be exported without obtaining an export license from the German Federal Ministry for Economic Affairs and Climate Action in accordance with the valid laws.

Alle Rechte vorbehalten

Die Angaben in unseren Datenblättern und sonstigen Dokumenten sind nach bestem Wissen und Gewissen gemacht. Sie dienen jedoch allein der Beschreibung und sind nicht als zugesagte Eigenschaften im Rechts-Sinne zu verstehen. Es wird keine Gewähr bezüglich Liefermöglichkeit, Ausführung oder Einsatzmöglichkeit der Bauelemente übernommen, noch dass die angegebenen Bauelemente, Baugruppen, Schaltungen etc. frei von Schutzrechten sind.

Wir behalten uns Änderungen der aufgeführten Daten ohne vorherige Ankündigung vor. Alle Änderungen werden jedoch regelmäßig auf unserer Internet-Seite veröffentlicht ¹⁾. Verkauf und Lieferung von Diotec-Produkten erfolgt gemäß unseren "Allgemeinen Geschäftsbedingungen" ²⁾. Die Vervielfältigung aller Dokumente ist nur mit schriftlicher Genehmigung des Vorstandes der Diotec Semiconductor AG gestattet.

Haftungsausschluss

1. Alle beschriebenen oder enthaltenen Produkte sind für den Gebrauch in Standardanwendungen mit einem gewöhnlichen Zuverlässigkeitsniveau entworfen und bestimmt, bekannt als kommerziell/industrielle Anwendungen.

2. Einige Produkte sind mit den speziellen Qualifikationen „AEC-Q101 konform“ oder „AEC-Q101 qualifiziert“ erhältlich. Dies sind Automotive-Standards ³⁾.

3. Falls diese Produkte in Anwendungen verwendet werden sollen, die einen besonderen Grad der Qualität oder Zuverlässigkeit erfordern, z. B. (aber nicht begrenzt auf) lebenserhaltende Geräte oder Systeme, bei denen durch Ausfall oder eine Störung des Produktes menschliches Leben oder Gesundheit direkt beeinflusst werden kann, ist der Anwender verpflichtet sicherzustellen, dass der beabsichtigte Gebrauch des vorgesehenen Produktes unbedenklich ist.

Diotec übernimmt keine Haftung die sich aus solchen Anwendungen oder der Verwendung der Produkte ergibt. Der Gebrauch für alle solche Anwendungen erfolgt auf eigenes und ausschließliches Risiko des Anwenders.

4. Obwohl Diotec die Qualität und die Zuverlässigkeit seiner Produkte beständig erhöht, müssen Kunden ausreichende Sicherheitsvorkehrungen in ihren Designs vornehmen – wie Redundanz, Feuereindämmung und Ausfallschutz – damit Personenschäden, Feuer oder Umweltschädigung verhindert werden können. Diotec schließt ausdrücklich jede implizierte Garantie oder Verbindlichkeit aus, welche die Eignung der Produkte zu irgendwelchen anderen als Standardanwendungen betrifft.

5. Alle Informationen, die hier beschrieben oder enthalten sind, können jederzeit ohne jede Benachrichtigung geändert werden. Vor Einsatz eines Diotec Produktes in irgendeiner Anwendung sind bei Diotec die neuesten Informationen einzuholen.

6. Alle Informationen, die hier beschrieben oder enthalten sind, sollen dem Kunden nur ermöglichen, Diotec Produkte zu bestellen. Die Informationen dürfen zu keinem anderen Zweck verwendet werden.

7. Sollte ein hier beschriebenes oder enthaltenes Produkt unter Beschränkungen fallen, die durch das deutsche Bundesamt für Wirtschaft und Ausfuhrkontrolle geregelt werden, darf dieses Produkt in Übereinstimmung mit den gültigen Gesetzen nicht ohne Exportgenehmigung vom deutschen Bundesministerium für Wirtschaft und Klimaschutz exportiert werden.

1 Refer to <http://diotec.com/> "Products/Product Changes" respectively "News/Datasheets"
Siehe <http://diotec.com/> „Produkte/Produktänderungen“ bzw. „News/Datenblätter“

2 Refer data book or <http://diotec.com/> "Company" – Siehe Datenbuch oder <http://diotec.com/> „Unternehmen“

3 Refer to <http://diotec.com/> "Products/Information/Qualification/Commercial Grade and AEC-Q101"
Siehe <http://diotec.com/> „Produkte/Informationen/Qualifizierung/Standard und AEC-Q101“