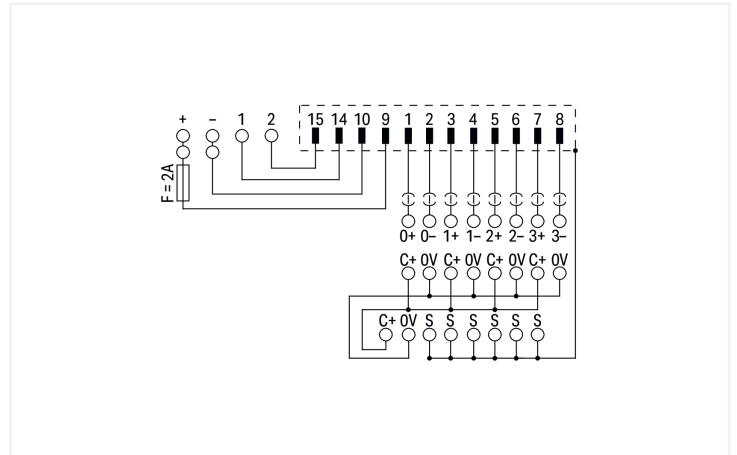
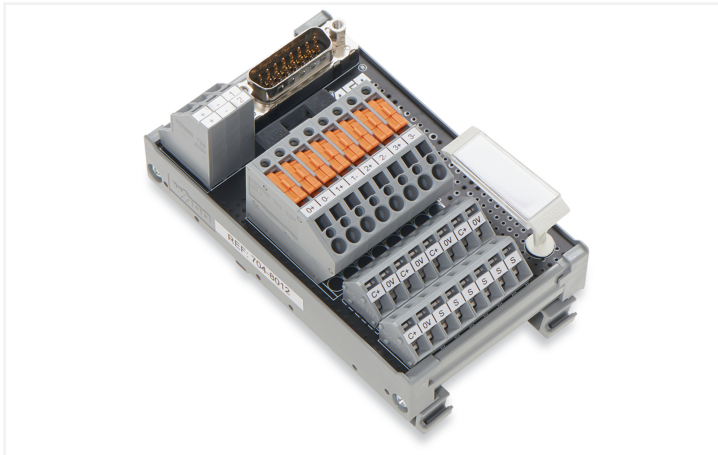


# Data Sheet | Item Number: 704-8012

Interface module for system wiring; with solder pin; Male connector; 15-pole; 4-channel analog input or output; 4-wire; PCB terminal blocks; in mounting carrier

<https://www.wago.com/704-8012>



Electrical data	
Inputs/outputs	4-channel analog input or output
Circuit type	2-wire connection 4-wire connection
Operating voltage	≤ 48 VDC
Limiting continuous current	1 A
Internal fuse	Supply: 2 A
Specialty functions	With disconnect/test terminal blocks

Safety and protection	
Rated Voltage	50 V
Rated impulse withstand voltage	0.8 kV
Pollution degree	2

Compatibility			
Siemens		GE Fanuc	
Siemens S7-300	6ES7 331-7KB02-0AB0 6ES7 331-7KB81-0AB0 6ES7 331-7RD00-0AB0 6ES7 332-5HB01-0AB0 6ES7 332-5HB81-0AB0 6ES7 332-5HD01-0AB0 6ES7 332-7ND02-0AB0	GE Fanuc 9030	IC693 ALG220 IC693 ALG221
Siemens S7-1500	6ES7 531-7QD00-0AB0 6ES7 532-5HD00-0AB0 6ES7 532-5ND00-0AB0		



Schneider	
Schneider Modicon TM3	TM3 AI2H(G) TM3 AI4(G) TM3 AQ2(G) TM3 AQ4(G) TM3 TI4(G) TM3 TM3(G)
Schneider Modicon M340	BMX AMI 0410 BMX AMO 0210 BMX AMO 0410
Schneider Modicon Quantum	140 ACO 020 00
Schneider TSX	TSX AEY 414 TSX ASY 410 TSX ASZ 200 TSX ASZ 401

Rockwell	
Rockwell Compact Logix	1769 - IF4 1769 - IF4I 1769 - IF8 1769 - OF2 1769 - OF4 1769 - OF4CI 1769 - OF4VI
Rockwell Control Logix	1756 - OF4

WAGO	
WAGO I/O System 753	753-453 (x1) 753-455 (x1) 753-457 (x1) 753-459 (x1) 753-553 (x1) 753-555 (x1) 753-557 (x1) 753-559 (x1)

### Connection Data

Connection 1	
Pluggable connector	D-subminiature male connector
Pole number 1	15
Connection type	System
Note (conductor cross-section)	12 AWG: THHN, THWN
Mating direction	vertical

Connection 2	
Design	PCB terminal blocks
Pole number	8
Connection type	Field
WAGO connector	WAGO 742 Series
Solid conductor	0.08 ... 2.5 mm <sup>2</sup> / 28 ... 12 AWG
Fine-stranded conductor	0.08 ... 2.5 mm <sup>2</sup> / 28 ... 12 AWG
Strip length	8 ... 9 mm / 0.31 ... 0.35 inches

Connection 3	
Design	PCB terminal blocks (double-row)
Pole number	16
Connection type	Field
WAGO connector	WAGO 236 Series
Solid conductor	0.08 ... 2.5 mm <sup>2</sup> / 28 ... 12 AWG
Fine-stranded conductor	0.08 ... 2.5 mm <sup>2</sup> / 28 ... 12 AWG
Strip length	5 ... 6 mm / 0.2 ... 0.24 inches

Connection 4	
Design	PCB terminal blocks (double-deck)
Pole number	6
Connection type	Power supply
Connection technology	CAGE CLAMP®
WAGO connector	WAGO 736 Series
Solid conductor	0.08 ... 2.5 mm <sup>2</sup> / 28 ... 12 AWG
Fine-stranded conductor	0.08 ... 2.5 mm <sup>2</sup> / 28 ... 12 AWG
Strip length	5 ... 6 mm / 0.2 ... 0.24 inches

Physical data	
Width	66 mm / 2.598 inches
Height	105 mm / 4.134 inches
Depth from upper-edge of DIN-rail	50 mm / 1.969 inches

### Mechanical data

Mounting type	DIN-35 rail
---------------	-------------

### Material data

Fire load	1.405 MJ
Weight	131 g

### Environmental requirements

Ambient temperature (operation)	-20 ... +50 °C
Ambient temperature (storage)	-40 ... +70 °C
Relative humidity	≤ 85 % (non-condensing)

### Commercial data

Product Group	30 (WAGO France)
PU (SPU)	1 pcs
Packaging type	Box
Country of origin	FR
GTIN	4050821115441
Customs tariff number	85366990990

### Product Classification

UNSPSC	39121421
eCl@ss 10.0	27-14-11-52
eCl@ss 9.0	27-14-11-52
ETIM 9.0	EC002780
ETIM 10.0	EC002780
ECCN	NO US CLASSIFICATION

### Environmental Product Compliance

RoHS Compliance Status	Compliant, No Exemption
------------------------	-------------------------

### Downloads

#### Environmental Product Compliance

##### Compliance Search

Environmental Product  
Compliance 704-8012



## Documentation

Bid Text			
704-8012	19.02.2019	xml 3.55 KB	<a href="#">↓</a>
704-8012	20.11.2015	doc 25.50 KB	<a href="#">↓</a>

## CAD/CAE-Data

CAD data	
2D/3D Models 704-8012	<a href="#">↓</a>

CAE data	
EPLAN Data Portal 704-8012	<a href="#">↓</a>
WSCAD Universe 704-8012	<a href="#">↓</a>

## 1 Compatible Products

### 1.1 Optional Accessories

#### 1.1.1 Cables and connectors

##### 1.1.1.1 System cable



**Item No.: 706-2300/500-100**

System cable; for Siemens S7-300; 4 analog outputs (current); Length: 1 m; Conductor cross-section: 0.25 mm<sup>2</sup>

**Item No.: 706-2300/500-200**

System cable; for Siemens S7-300; 4 analog outputs (current); Length: 2 m; Conductor cross-section: 0.25 mm<sup>2</sup>

**Item No.: 706-2300/500-300**

System cable; for Siemens S7-300; 4 analog outputs (current); Length: 3 m; Conductor cross-section: 0.25 mm<sup>2</sup>

#### 1.1.2 Marking

##### 1.1.2.1 Marking strip



**Item No.: 709-196**

Marking strips; for laser printer; translucent

**Item No.: 2009-110**

Marking strips; for Smart Printer; on reel; not stretchable; plain; snap-on type; white

**Item No.: 709-177**

Marking strips; on reel; 7.5 mm wide; not stretchable; plain; snap-on type; translucent

**Item No.: 709-178**

Marking strips; on reel; 7.5 mm wide; not stretchable; plain; snap-on type; white

Subject to changes. Please also observe the further product documentation!

Current addresses can be found at: [www.wago.com](http://www.wago.com)