

REVISIONS

P	LTR	DESCRIPTION	DATE	DWN	APVD
	A	GTP PER ECN-25-338513	17AUG2025	ED	WZ

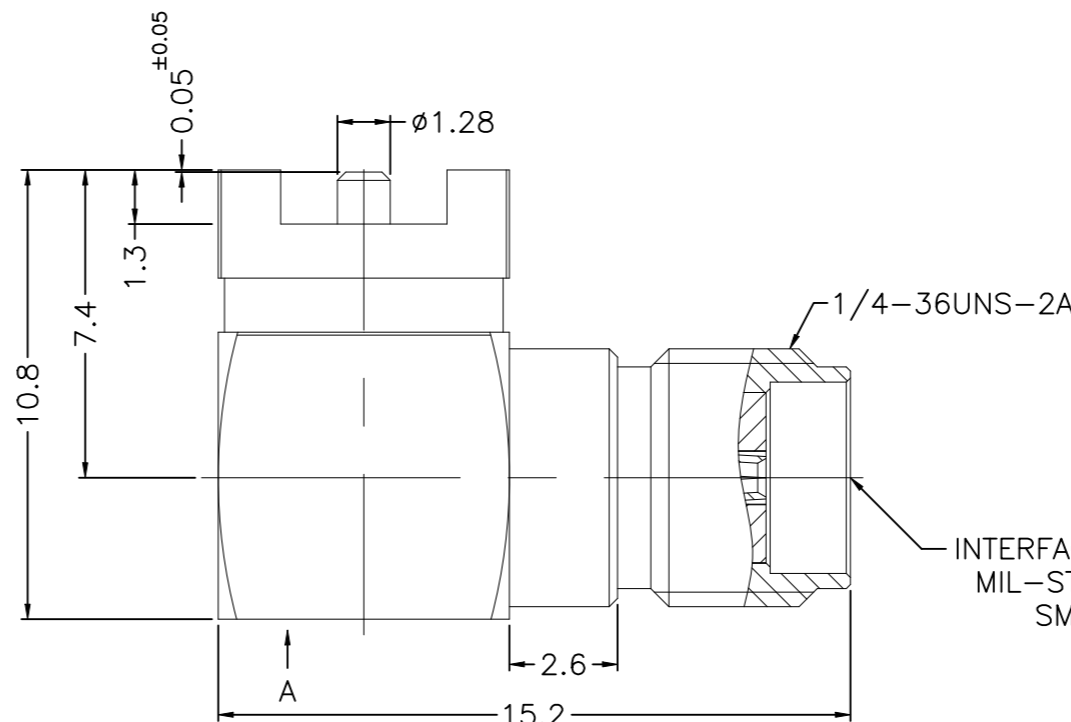
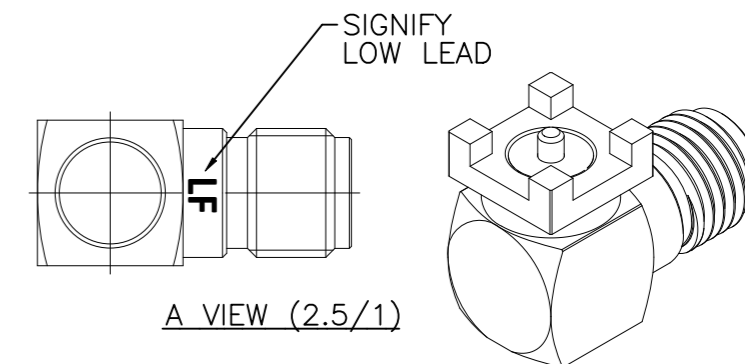
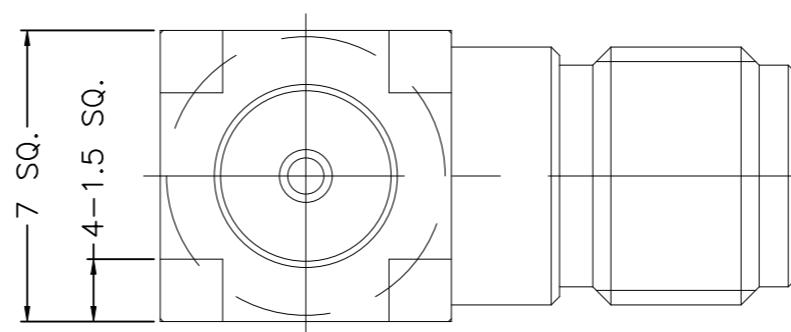
MATERIALS AND PLATING		UNIT: MICRO-INCHES
PART NAME	MATERIAL	PLATING
BODY&HOUSING	LOW LEAD BRASS	GOLD 3u"/NICKEL 50u"/COPPER 50u"
CONTACT PIN 1	LOW LEAD BeCu	GOLD 3u"/NICKEL 50u"/COPPER 50u"
INSULATOR	PTFE ASTM-D-1710	NATURAL
CONTACT PIN 2	LOW LEAD BRASS	GOLD 3u"/NICKEL 50u"/COPPER 50u"
COVER	LOW LEAD BRASS	GOLD 3u"/NICKEL 50u"/COPPER 50u"

ELECTRICAL CHARACTERISTICS	
IMPEDANCE	50 Ω
VOLTAGE RATING	335 V(rms)
FREQUENCY RANGE	DC~18 GHz
DIELECTRIC WITHSTANDING VOLTAGE	>1000 V
CONTACT RESISTANCE	CENTER CONTACT <3.0 mΩ
	OUTER CONTACT <2.0 mΩ
INSULATION RESISTANCE	>5000 MΩ
INSERTION LOSS	0.25dB MAX
VSWR	<1.30
3RD INTERMODULATION	N/A

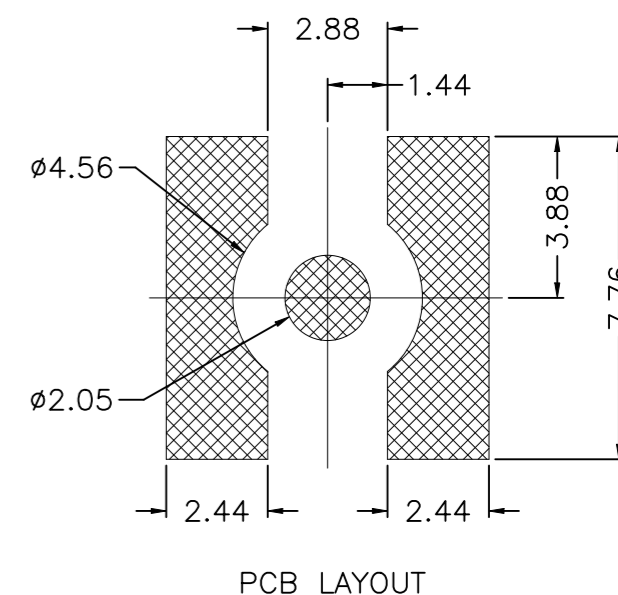
MECHANICAL CHARACTERISTICS	
DURABILITY	> 500 cycles

ENVIRONMENTAL PARAMETER	
TEMPERATURE RANGE	-65 °C~+165 °C
WATERPROOF	/
THERMAL SHOCK	MIL- STD 202, Meth. 107,Cond. B
VIBRATION	MIL- STD 202, Meth. 204,Cond. D
SHOCK	MIL- STD 202, Meth. 213,Cond. I
CORROSION	MIL- STD 202, Meth. 101,Cond. B

NOTES:
 1 TAPE AND REEL PACKAGING AND DETAIL PACKAGING SPEC IS IN PAGE 2;
 2 ALL DIMENSIONS ARE NOMINAL FOR REFERENCE ONLY UNLESS OTHERWISE STATED.



INTERFACE PER MIL-STD 348, SMA JACK



LOW LEAD VERSION,RoHS (Pb < 100ppm),REACH	2508856-1
MARK	PART NUMBER

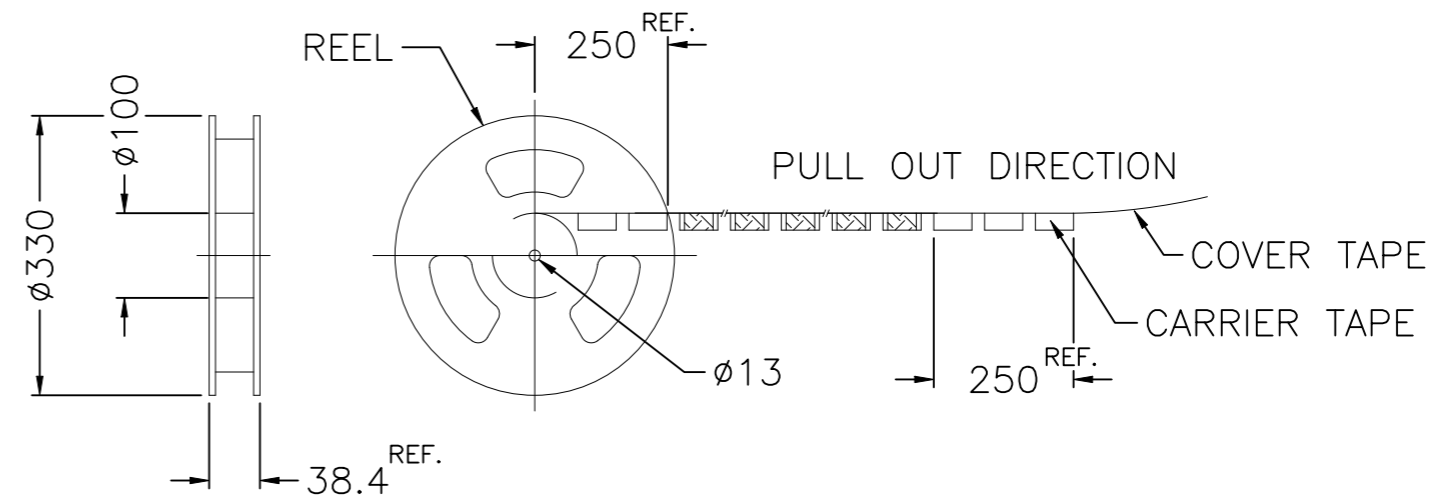
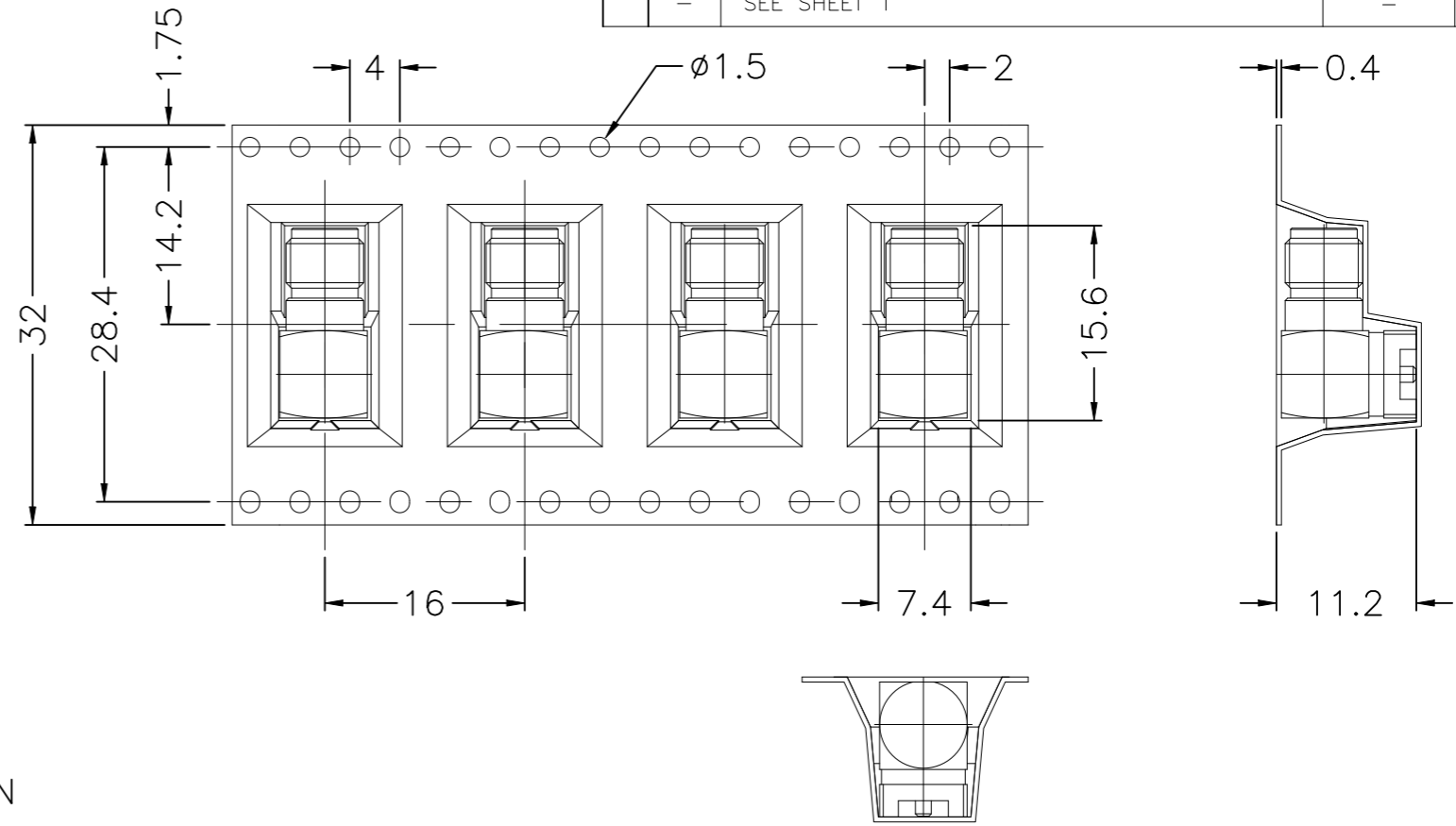
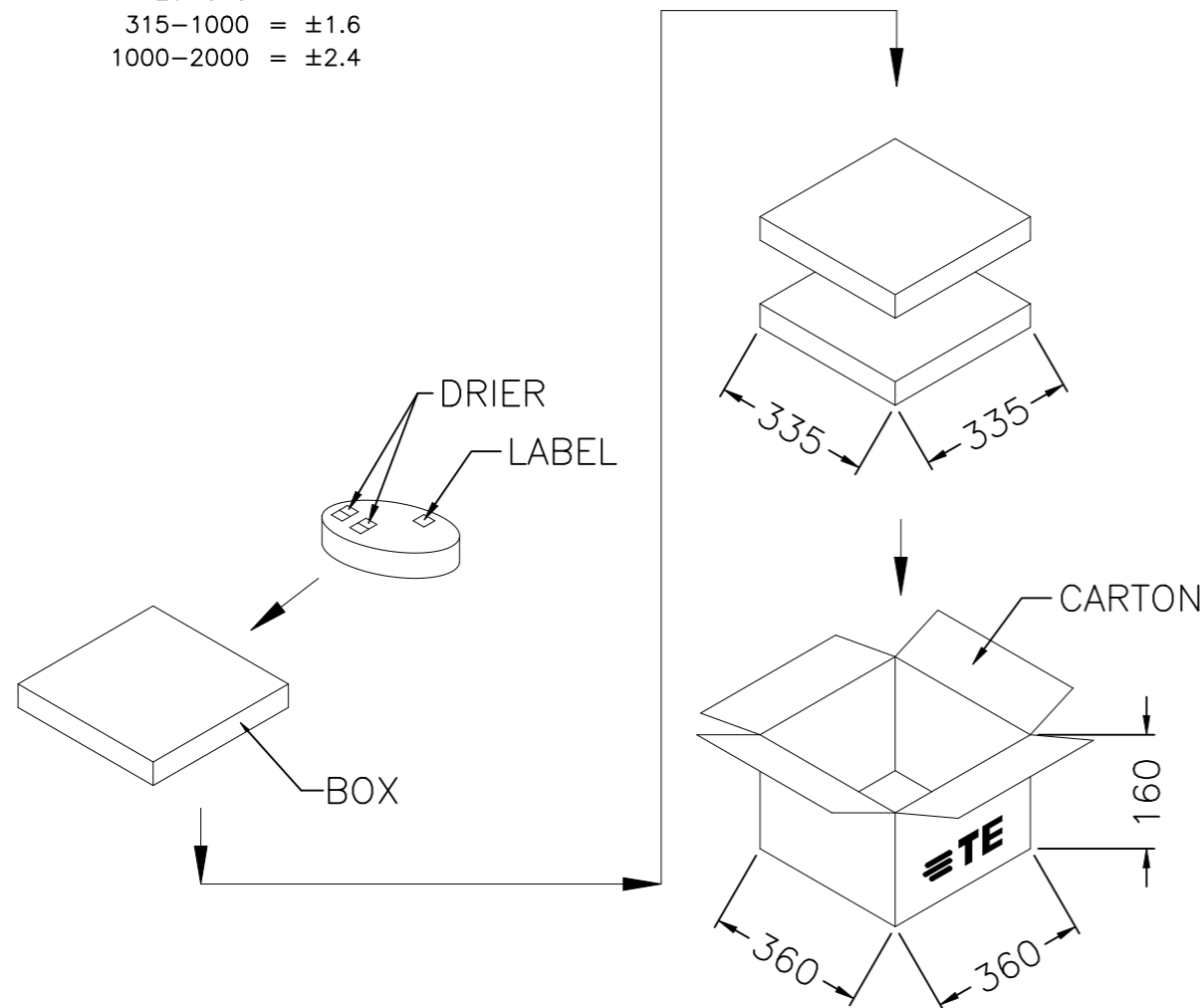
THIS DRAWING IS A CONTROLLED DOCUMENT.		DWN ED 16JUN2025	TE Connectivity Ltd.			
		CHK TP 16JUN2025				
		APVD WH 16JUN2025	NAME			
		PRODUCT SPEC	SMA Jack RA Surface Mnt Lead Free 18G			
		APPLICATION SPEC				
		WEIGHT 0	SIZE A3	CAGE CODE 00779	DRAWING NO C-2508856	RESTRICTED TO
		CUSTOMER DRAWING	SCALE 1:1	SHEET 1 OF 2	REV A	

TAPE & REEL PACKAGING

UNLESS OTHERWISE SPECIFIED
TOLERANCES

0.5-6	= ±0.2
6-30	= ±0.4
30-120	= ±0.6
120-315	= ±1
315-1000	= ±1.6
1000-2000	= ±2.4

P	LTR	DESCRIPTION	DATE	DWN	APVD
-	-	SEE SHEET 1	-	-	-



- NOTE: 1. CARRIER TAPE : BLACK ANTI-STATIC POLYSTYRENE
APPROXIMATE LENGTH (METER) : 6.1M
2. COVER TAPE : TRANSPARENT ANTI-STATIC
PG-608B (25.5m/m)
3. BOX, CARTON : PAPER
4. QUANTITY : 350 PCS/BOX
700 PCS/CARTON

THIS DRAWING IS A CONTROLLED DOCUMENT.		DWN	ED	16JUN2025	TE Connectivity Ltd.					
		CHK	TP	16JUN2025						
		APVD	WH	16JUN2025	NAME					
		PRODUCT SPEC			SMA Jack RA Surface Mnt Lead Free 18G					
		APPLICATION SPEC			-					
		SIZE	CAGE CODE	DRAWING NO	RESTRICTED TO					
		A3 00779		C=2508856	-					
		CUSTOMER DRAWING			SCALE	1:1	SHEET	2 OF 2	REV	A