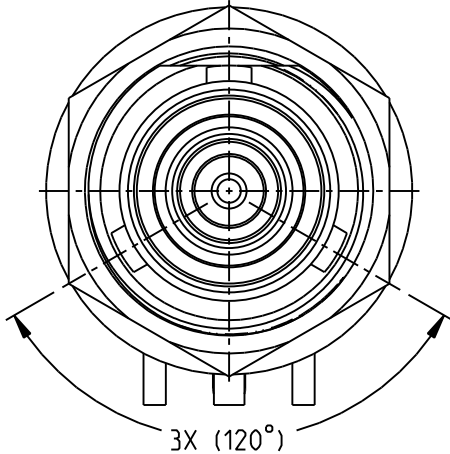
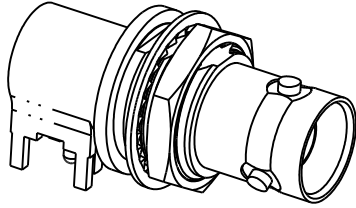
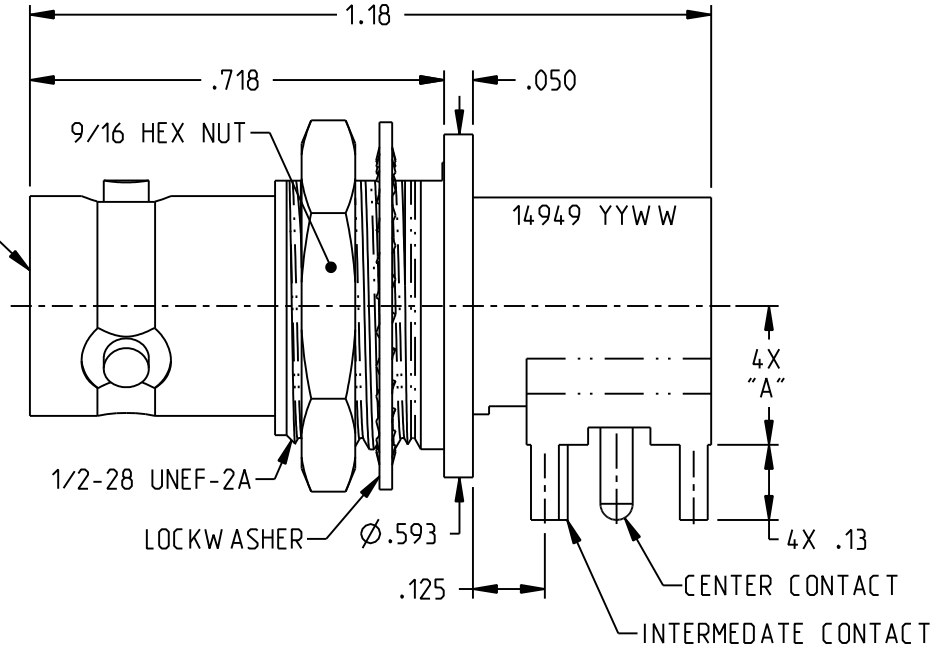


TROMPETER MODEL NO.	"A"	Ø"B"
CBBJR79	.24	.063
CBBJR79A	.34	.070

REV	ECN	DATE
F	12905	8/12/1999
G	15785	2/22/2005
H	55208	11/3/2014



TRB JACK INTERFACE
PER MIL-STD-348
FIGURE 201-2



CBBJR79 SHOWN

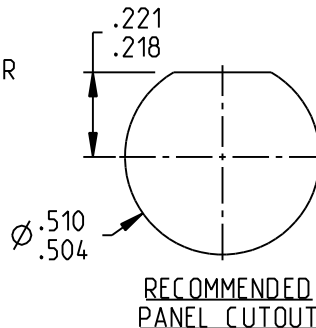
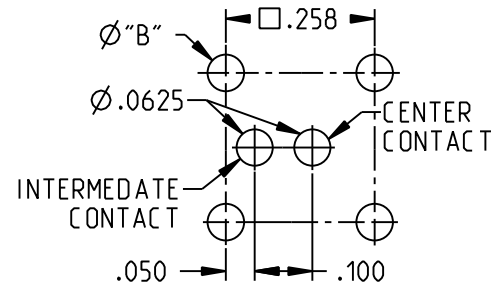
NOTES: UNLESS OTHERWISE SPECIFIED:

- MATERIAL & FINISH:
 - BODY: TIN PLATED BRASS
 - INSULATOR & DIELECTRIC: PTFE (TEFLON)
 - INTERMEDIATE CONTACT: GOLD PLATED BRASS
 - CENTER CONTACT: GOLD PLATED BERYLLIUM COPPER
 - MOUNTING HARDWARE: TIN PLATED COPPER ALLOY

- ELECTRICAL:
 - FREQUENCY (MAX): 500 MHZ
 - IMPEDANCE: NON-CONSTANT

3. PANEL NUT TORQUE (MAX): 35 INCH POUNDS

4. PANEL THCKNESS (MAX): .125



<p>NOTICE: The information in this drawing is PROPRIETARY and must not be used without the permission of Cinch Connectivity Solutions. It may contain data whose export is restricted. Verify status prior to exporting.</p> <p>INTERPRET DRAWING IN ACCORDANCE WITH ASME Y14.5-2018</p>	Model No:	CBBJR79X	Title: TROMPETER		
	RoHS2	2015/863/EU	Cage Code	14949	
	UNLESS OTHERWISE SPECIFIED UNITS: INCH		3RD ANGLE PROJECTION	Drawing No. C_3-0235	
	.XX ±.02 .XXX ±.010 ANGLES ±2°		ENGINEER: C. MONAHAN	Date:	4/14/2026
Size	A	DO NOT SCALE DRAWING	Workmanship Std:	TFS-4	
Sheet	1 OF 1		REV.	H	