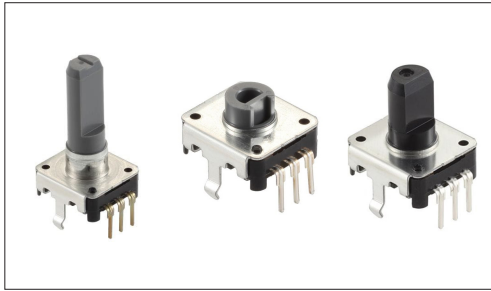


Encoders

Insulated shaft Encoder

12mm Size Insulated Shaft Type EC12E Series

Insulated shaft type with a diverse product variety.



- Output signal: Two phase A and B
- Ratings: 0.5mA 5V DC
- Operating life: 30,000 cycles

Applications: Energy_Industrial: Converters
Home: Major home appliances
Audio_TV: Visual, Audio, Pro audio

Product List

Products No.	Type	Actuator length (mm)	Torque	Number of detent	Number of pulse	Automotive	Drawing No.	
EC12E1220407	Standard Type	15.0	Standard 3 to 20mN·m	12	12	—	1	
EC12E1220406		20.0	Standard 3 to 20mN·m	12	12	—	2	
EC12E1220405		25.0	Standard 3 to 20mN·m	12	12	—	3	
EC12E1220301		8.5 (Hollow shaft)	Standard 3 to 20mN·m	12	12	—	4	
EC12E1240405		20.0	Lightest (jog) 3±2mN·m	12	12	—	2	
EC12E1240406		25.0	Lightest (jog) 3±2mN·m	12	12	—	3	
EC12E1240301		8.5 (Hollow shaft)	Lightest (jog) 3±2mN·m	12	12	—	4	
EC12E24204A2		15.0	Standard 3 to 20mN·m	24	24	—	1	
EC12E24204A7		17.5	Standard 3 to 20mN·m	24	24	—	5	
EC12E24204A8		20.0	Standard 3 to 20mN·m	24	24	—	2	
EC12E24204A9		25.0	Standard 3 to 20mN·m	24	24	—	3	
EC12E2420301		8.5 (Hollow shaft)	Standard 3 to 20mN·m	24	24	—	4	
EC12E24404A8		20.0	Lightest (jog) 3±2mN·m	24	24	—	2	
EC12E24404A6		25.0	Lightest (jog) 3±2mN·m	24	24	—	3	
EC12E2440301		8.5 (Hollow shaft)	Lightest (jog) 3±2mN·m	24	24	—	4	
EC12E24104A6		20.0	Lightest (jog) 10mN·m max	Without	24	—	2	
EC12E1220813		With Bushing Type	25.0	Standard 3 to 20mN·m	12	12	—	6
EC12E2420802			20.0	Standard 3 to 20mN·m	24	24	—	7
EC12E2420801			25.0	Standard 3 to 20mN·m	24	24	—	6
EC12E2420803			30.0	Standard 3 to 20mN·m	24	24	—	8
EC12E2460802	30.0		Heavy 40±15mN·m	Without	24	—		

⚠ Note

1. This catalog shows only outline specifications. When using the products, please obtain formal specifications for supply.
2. Please place purchase orders per minimum order unit (integer).
3. Products other than those listed in the above chart are also available. Please contact us for details.
4. Nuts and washers are not included. If required, please contact us.

12mm Size Insulated Shaft Type
EC12E Series

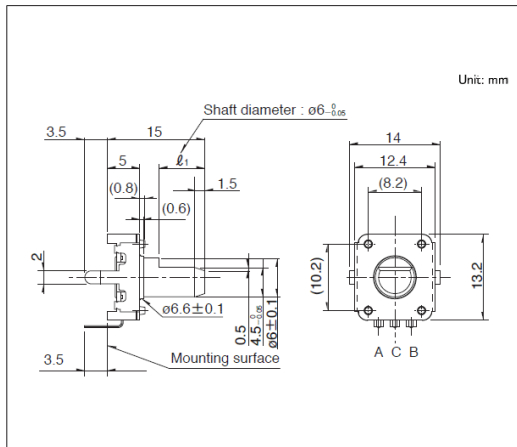
■ Packing Specifications

Tray

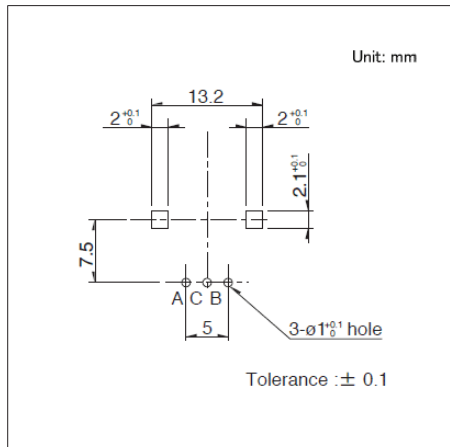
Products No.	Number of packages (pcs.)		Export package measurements (mm)
	1 case / Japan	1 case / export packing	
EC12E1220407 EC12E1220406 EC12E1220405 EC12E1240405 EC12E1240406 EC12E24204A2 EC12E24204A7 EC12E24204A8 EC12E24204A9 EC12E24404A8 EC12E24404A6 EC12E24104A6	2,400	2,400	525 x 369 x 204
EC12E1220301 EC12E1240301 EC12E2420301 EC12E2440301	3,000	3,000	525 x 369 x 204
EC12E1220813 EC12E2420802 EC12E2420801 EC12E2420803 EC12E2460802	1,900	1,900	525 x 369 x 204

Drawing No.1

■ Dimensions



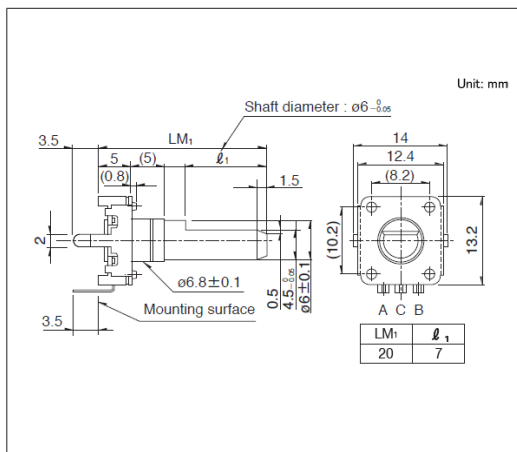
■ Mounting Hole Dimensions



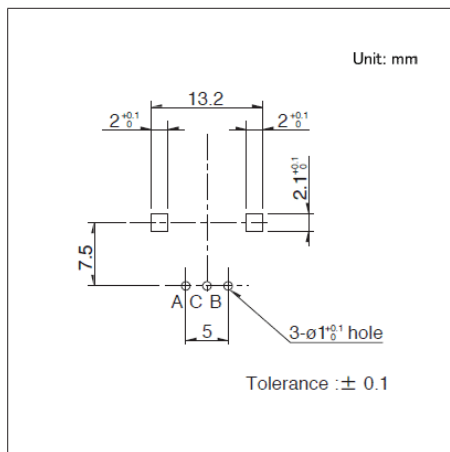
Viewed from mounting face.

Drawing No.2

■ Dimensions



■ Mounting Hole Dimensions

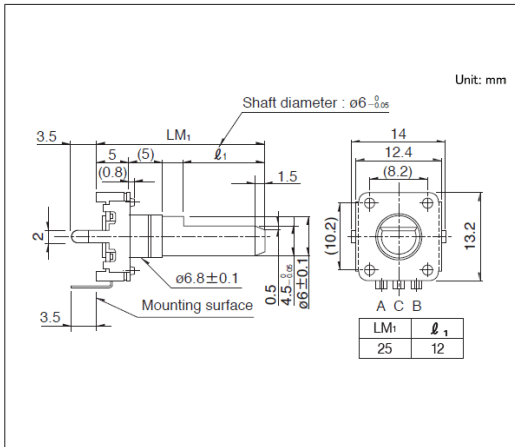


Viewed from mounting face.

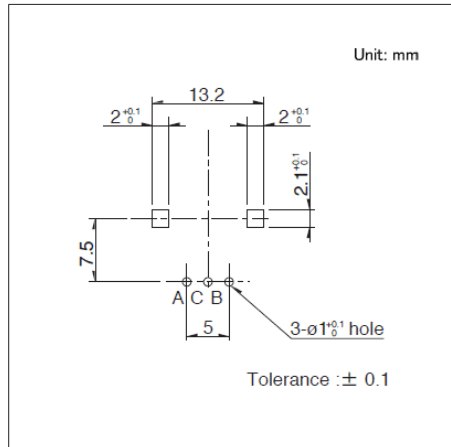
12mm Size Insulated Shaft Type
EC12E Series

Drawing No.3

■ Dimensions



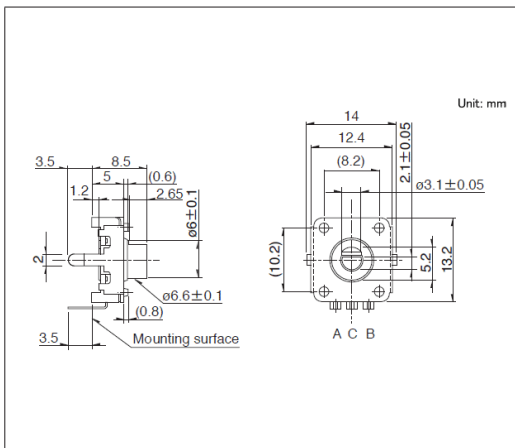
■ Mounting Hole Dimensions



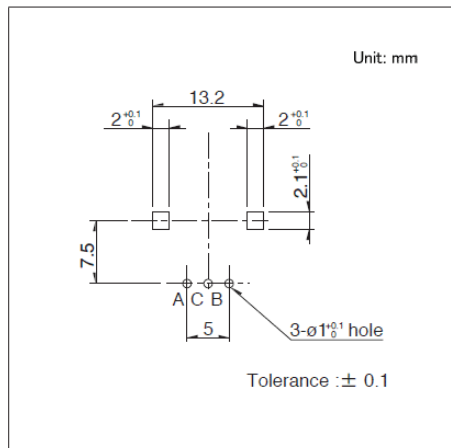
Viewed from mounting face.

Drawing No.4

■ Dimensions



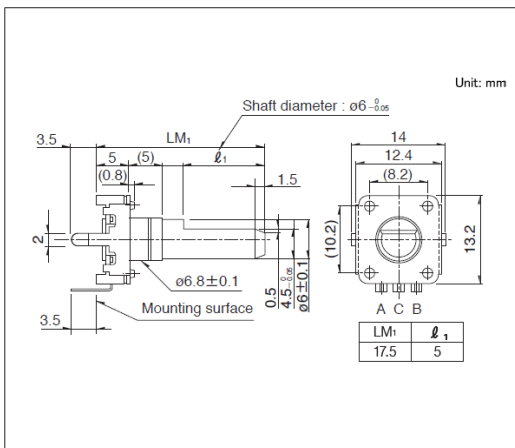
■ Mounting Hole Dimensions



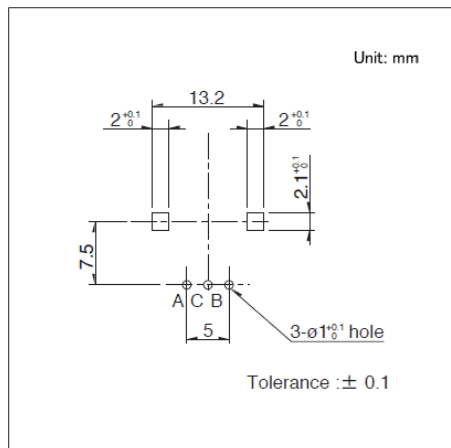
Viewed from mounting face.

Drawing No.5

■ Dimensions



■ Mounting Hole Dimensions



Viewed from mounting face.

