

## FM2 Mounting Kit

### Heavy Duty Antenna Wall & Pole/Mast Mounting Kit

The FM2 mounting kit is available in single or double bracket configurations and is designed for the FG antenna series as well as other antennas with a diameter of up to 35.56mm (1.4 inches).

The aluminum mounting brackets feature heavy-duty design and construction using die cast aluminum and can be used for either wall or mast mounting.

### FEATURES AND BENEFITS

- Heavy duty die-cast aluminium
- Available in single or double bracket kits
- Wall or pole mountable
- For antenna diameters up to 35.56mm (1.4 inches)

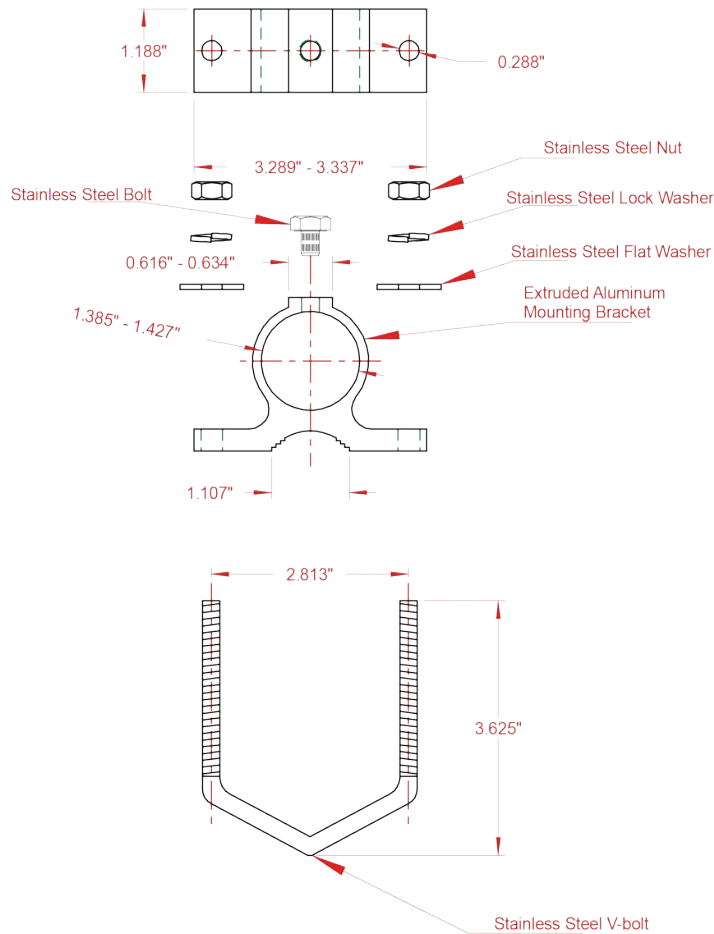
#### MECHANICAL SPECIFICATION

Bracket Material	Extruded Aluminum
U Bolt Material	Stainless Steel
Max Mounting Pole/Mast Size mm (in.)	63.5 mm (2.5")
Max Antenna Diameter mm (in.)	35.56mm (1.4")

#### PART CONFIGURATION

FM2	Pair of Brackets
FM2SP	Single Bracket

## MECHANICAL DRAWING



## FM2 KIT EXPANDED



### TE TECHNICAL SUPPORT CENTER

USA:	+1 (800) 522-6752
Canada:	+1 (905) 475-6222
Mexico:	+52 (0) 55-1106-0800
Latin/S. America:	+54 (0) 11-4733-2200
Germany:	+49 (0) 6251-133-1999
UK:	+44 (0) 800-267666
France:	+33 (0) 1-3420-8686
Netherlands:	+31 (0) 73-6246-999
China:	+86 (0) 400-820-6015

### te.com

TE, TE Connectivity, TE connectivity (logo), and EVERY CONNECTION COUNTS are trademarks owned or licensed by the TE Connectivity plc family of companies. Other product names, logos, and company names mentioned herein may be trademarks of their respective owners.

While TE has made every reasonable effort to ensure the accuracy of the information in this document, TE does not guarantee that it is error-free, nor does TE make any other representation, warranty or guarantee that the information is accurate, complete, correct, reliable or current. TE reserves the right to make any adjustments to the information contained herein at any time without notice. TE EXPRESSLY DISCLAIMS ALL IMPLIED WARRANTIES REGARDING THE INFORMATION CONTAINED HEREIN, INCLUDING, BUT NOT LIMITED TO, ANY IMPLIED WARRANTIES OF MERCHANTABILITY OR FITNESS FOR A PARTICULAR PURPOSE. In no event will TE be liable for any direct, indirect, incidental, special or consequential damages arising from or related to recipient's use of the information. It is the sole responsibility of recipient of this information to verify the results of this information using their engineering and product environment. Recipient assumes any and all risks associated with the use of the information. Antenna performance may vary. TE is a component manufacturer, and customer and/or end-user is responsible for all end-use compliance and regulatory requirements.

©2025 TE Connectivity. All Rights Reserved.

05/25 Original