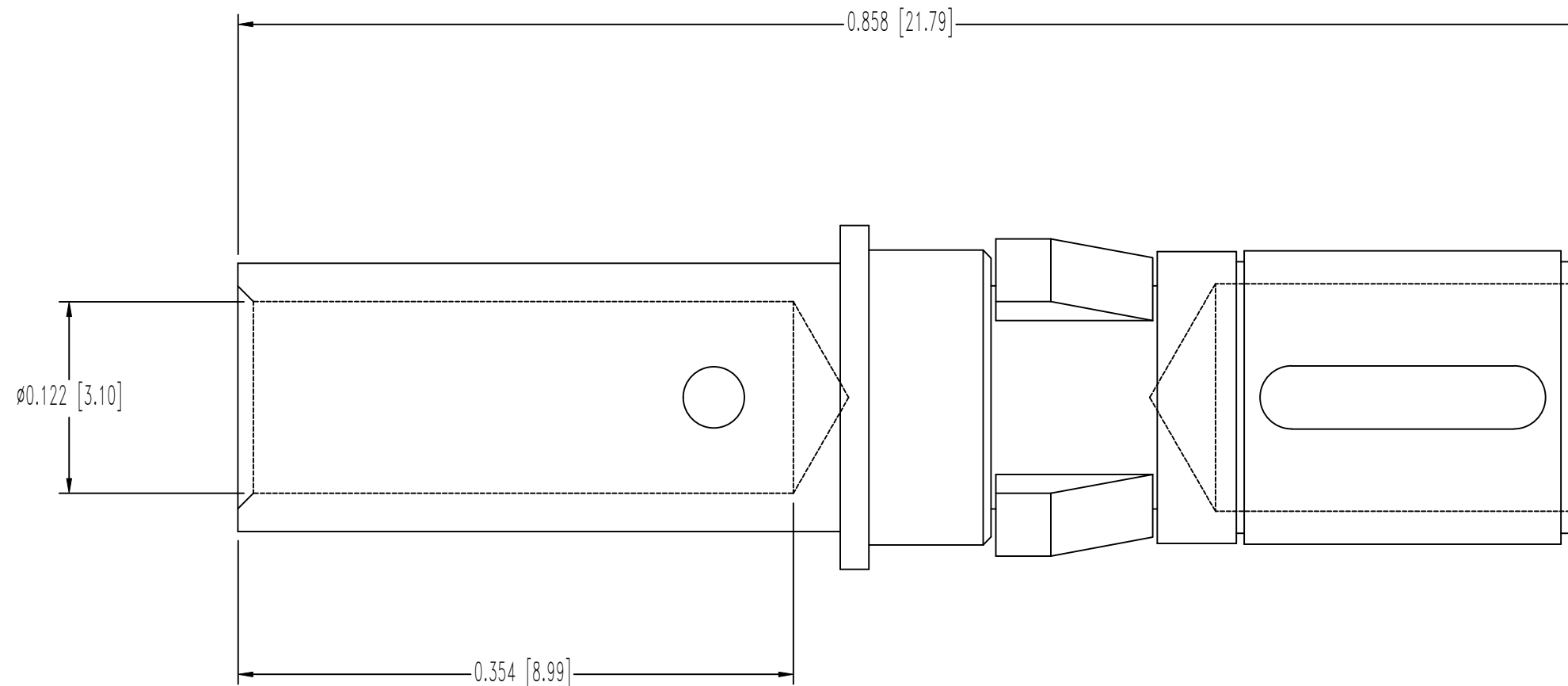


SK14886

THIS DRAWING CONTAINS INFORMATION PROPRIETARY TO POSITRONIC AND ITS SUBSIDIARIES. POSITRONIC BELIEVES THE DATA ON THIS DRAWING TO BE RELIABLE. SINCE THE TECHNICAL INFORMATION IS GIVEN FREE OF CHARGE, THE USER EMPLOYS SUCH INFORMATION AT HIS OWN DISCRETION AND RISK. POSITRONIC ASSUMES NO RESPONSIBILITY FOR RESULTS OBTAINED OR DAMAGES INCURRED FROM USE OF SUCH INFORMATION IN WHOLE OR IN PART.

DATE	REV	REVISION RECORD	APP	DR	CK
2-11-13	NC	ECO 38434	COLE	BS	COLE



NOTES:

1. MATERIAL AND FINISH: PRECISION MACHINED COPPER ALLOY, 0.000050 [1.27μ] GOLD OVER NICKEL PLATE.
2. DETAILED PRODUCT, MECHANICAL, AND ELECTRICAL INFORMATION IS AVAILABLE IN THE LATEST STANDARD DENSITY COMBO-D PRODUCT PUBLICATION. VISIT CONNECTPOSITRONIC.COM/PRODUCTS/1/STANDARD DENSITY COMBO-D OR CONNECTPOSITRONIC.COM.
3. DIMENSIONS ARE IN INCHES [MILLIMETERS].

	POSITRONIC INDUSTRIES INC. www.connectpositronic.com		FSCM 28198	
	DECIMAL TOL. ± 0.015 [0.38]	TITLE CBD SERIES	SCALE N.T.S.	DRAWN BY B SHELLIEDY
ANGULAR TOL. ± 5°	DATE 2-11-13		DRAWING NUMBER SK14886	
			REV. NC	