

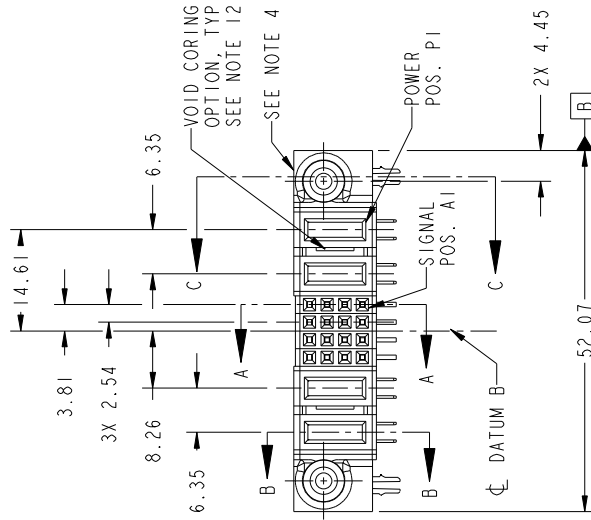
Tous droits strictement réservés. Reproduction ou communication à des tiers interdite sous quelque forme que ce soit sans autorisation écrite du propriétaire. Propriété de c.FCI. Droits de reproduction FCI.



All rights strictly reserved. Reproduction or issue to third parties in any form whatsoever is not permitted without written authority from the proprietor. Property of FCI. Copyright FCI.

1 | 2

PRODUCT NO.	ROWS	POWER				SIGNAL				POWER			
		E2	P4	P3	P2	P1	E1	P4	P3	P2	P1	E1	
51770-044-- NOTE 3	D C B A												



3 |

4

A

B

Pro/E

1 | 2

3 |

4

A

B

Pro/E

1 | 2

3 |

4

A

B

Pro/E

1 | 2

3 |

4

A

B

Pro/E

1 | 2

3 |

4

A

B

Pro/E

1 | 2

3 |

4

A

B

Pro/E

1 | 2

3 |

4

A

B

Pro/E

1 | 2

3 |

4

A

B

Pro/E

1 | 2

3 |

4

A

B

Pro/E

1 | 2

3 |

4

A

B

Pro/E

1 | 2

3 |

4

A

B

Pro/E

1 | 2

3 |

4

A

B

Pro/E

1 | 2

3 |

4

A

B

Pro/E

1 | 2

3 |

4

A

B

Pro/E

1 | 2

3 |

4

A

B

Pro/E

1 | 2

3 |

4

A

B

Pro/E

1 | 2

3 |

4

A

B

Pro/E

1 | 2

3 |

4

A

B

Pro/E

1 | 2

3 |

4

A

B

Pro/E

1 | 2

3 |

4

A

B

Pro/E

1 | 2

3 |

4

A

B

Pro/E

1 | 2

3 |

4

A

B

Pro/E

1 | 2

3 |

4

A

B

Pro/E

1 | 2

3 |

4

A

B

Pro/E

1 | 2

3 |

4

A

B

Pro/E

1 | 2

3 |

4

A

B

Pro/E

1 | 2

3 |

4

A

B

Pro/E

1 | 2

3 |

4

A

B

Pro/E

1 | 2

3 |

4

A

B

Pro/E

1 | 2

3 |

4

A

B

Pro/E

1 | 2

3 |

4

A

B

Pro/E

1 | 2

3 |

4

A

B

Pro/E

1 | 2

3 |

4

A

B

Pro/E

1 | 2

3 |

4

A

B

Pro/E

1 | 2

3 |

4

A

B

Pro/E

1 | 2

3 |

4

A

B

Pro/E

1 | 2

3 |

4

A

B

Pro/E

1 | 2

3 |

4

A

B

Pro/E

1 | 2

3 |

4

A

B

Pro/E

1 | 2

3 |

4

A

B

Pro/E

1 | 2

3 |

4

A

B

Pro/E

1 | 2

3 |

4

A

B

Pro/E

1 | 2

3 |

4

A

B

Pro/E

1 | 2

3 |

4

A

B

Pro/E

1 | 2

3 |

4

A

B

Pro/E

1 | 2

3 |

4

A

B

Pro/E

1 | 2

3 |

4

A

B

Pro/E

1 | 2

3 |

4

A

B

Pro/E

1 | 2

3 |

4

A

B

Pro/E

1 | 2

3 |

4

A

B

Pro/E

1 | 2

3 |

4

A

B

Pro/E

1 | 2

3 |

4

A

B

Pro/E

1 | 2

3 |

4

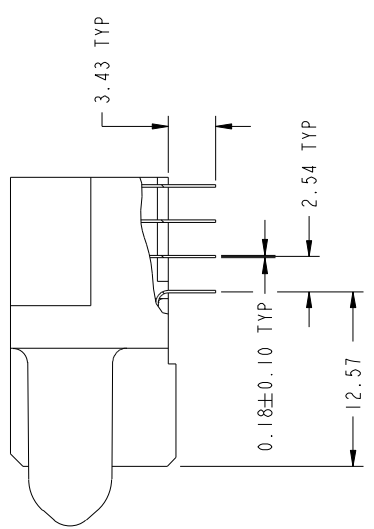
A

B

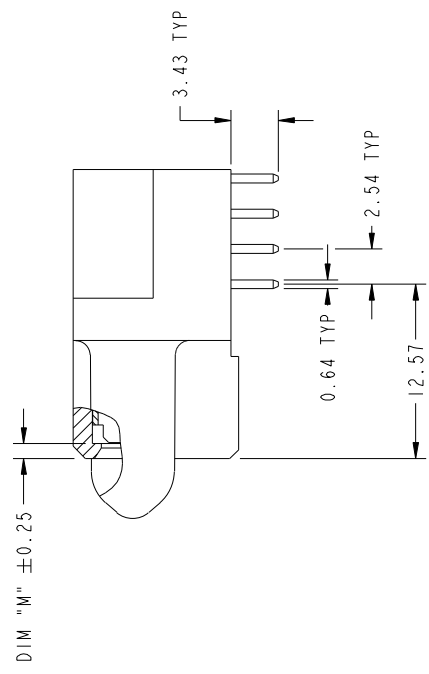
Pro/E

PRODUCT NUMBER
51770-044_-_
NOTE 3

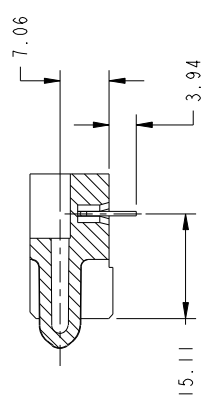
Tous droits strictement réservés. Reproduction ou communication à des tiers interdite sous quelque forme que ce soit sans autorisation écrite du propriétaire. Propriété de c.FCI. Droits de reproduction FCI.



BROKEN-OUT SECTION A-A
SCALE 2:1



BROKEN-OUT SECTION B-B
SCALE 2:1



SECTION C-C

mat'l code		SEE NOTE 2		tolerances unless otherwise specified		CUSTOMER		FCI	
ltr	ecn no.	dr	date	linear	angles	projection	copy	title	www.fciconnect.com
A				0.X ±0.5	0.XXX ±0.1	MM	CPY	2P + 16S + 2P R/A STB RECEPTACLE	
				0° ±2°				product family	
				X0 Wang	01/20/11			dwg no	PwrBl code
				Anson Liu	01/20/11			size	code
				PM Zheng	01/20/11			A	51770-044
				Joseph Hsiao	01/20/11			sheet	2 of 4
sheet index	revision	sheet						scale	1:1
								cage code	22526
									4

Pro/E



All rights strictly reserved. Reproduction or issue to third parties in any form whatever is not permitted without written authority from the proprietor. Property of FCI. Copyright FCI.

