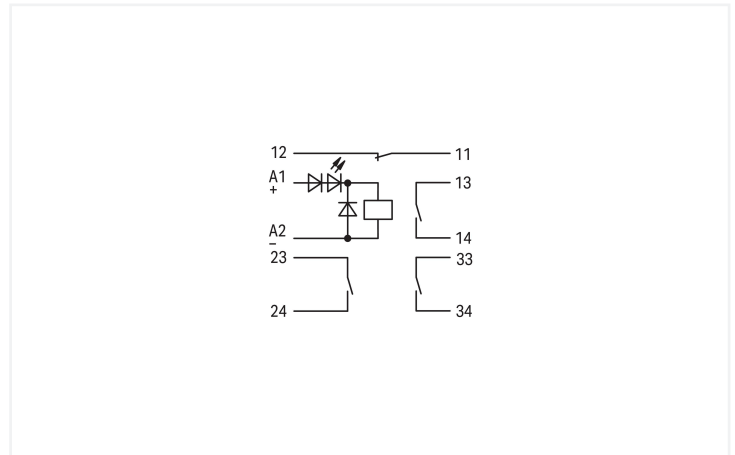
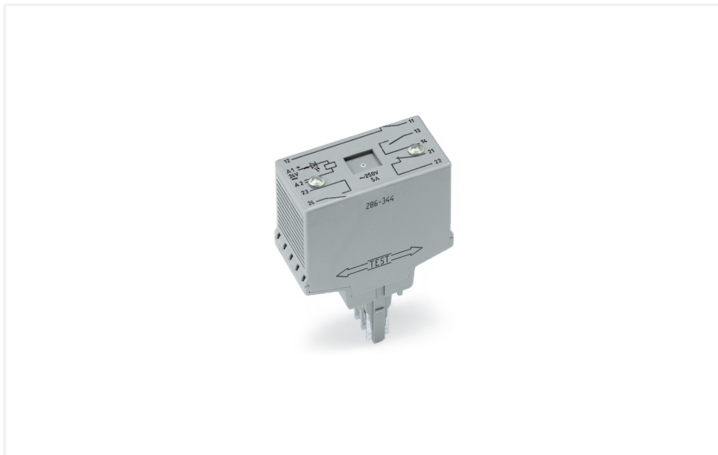


Data Sheet | Item Number: 286-344/004-000

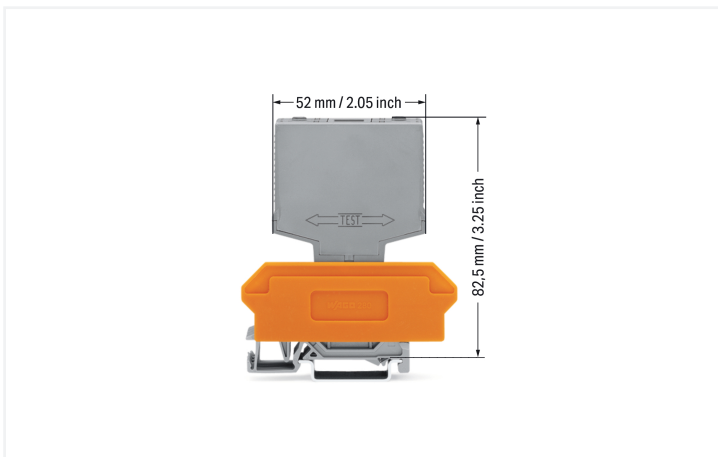
Relay module; Nominal input voltage: 24 VDC; 3 break contacts and 1 make contact; Railway; Red status indicator; Module width: 25 mm; gray

<https://www.wago.com/286-344/004-000>



Color: ■ gray

Similar to illustration



Technical data

Control circuit

Nominal input voltage U_N	24 VDC
Input voltage range	-30 ... +25 %
Nominal input current at U_N	9 mA

Load circuit

Number of break/switch-off contacts	1
Number of make/switch-on contacts	3
Contact material (relay)	AgNi + Au
Limiting continuous current	5 A
Switching Voltage, Max.	250 VAC
Pull-in time (typ.)	9 ms
Drop-out time (typ.)	5 ms
Bounce time (typ.)	2 ms

Safety and protection

Rated Voltage	250 V
Rated impulse withstand voltage	4 kV
Pollution degree	2
Dielectric strength (control/load circuit) (AC, 1 min)	1.5 kVrms
Protection type	IP20

Physical data

Width	25 mm / 0.984 inches
Height	52 mm / 2.047 inches
Depth from upper-edge of DIN-rail	82.5 mm / 3.248 inches
Note (dimensions)	Depth including carrier terminal block

Mechanical data

Mounting type	Pluggable module for receptacle terminal blocks
---------------	---

Material data

Note (material data)	Information on material specifications can be found here
Color	gray
Fire load	14.836 MJ
Weight	40.4 g

Environmental requirements

Ambient temperature (operation at U_N)	-25 ... +70 °C
Ambient temperature (storage)	-25 ... +70 °C
Processing temperature	-25 ... +50 °C
Relative humidity	5 ... 85 % (no condensation permissible)
Operating altitude (max.)	2000 m

Standards and Specifications

Standards/specifications	EN 60664-1
--------------------------	------------

Commercial data

Product Group	6 (INTERFACE ELECTRONIC)
PU (SPU)	10 (1) pcs
Packaging type	Box
Country of origin	DE
GTIN	4055143104753
Customs tariff number	85364900990

Product Classification

UNSPSC	39122334
eCl@ss 10.0	27-37-16-01
eCl@ss 9.0	27-37-16-01
ETIM 9.0	EC001437
ETIM 10.0	EC001437
ECCN	NO US CLASSIFICATION

Environmental Product Compliance

CAS-No.	1303-86-2 7439-92-1 79-94-7
REACH Candidate List Substance	2,2',6,6'-tetrabromo-4,4'-isopropylidenediphenol Diboron trioxide Lead
RoHS Compliance Status	Compliant,With Exemption
RoHS Exemption	6(c) 7(a)
SCIP notification number (Austria)	565565f1-70fd-4b3c-8787-990d5518c6d2
SCIP notification number (Belgium)	d1b64a3e-07b1-4e1f-885f-fa927d9bd9ae
SCIP notification number (Bulgaria)	5221d313-c67a-491f-8546-960ae55882d9
SCIP notification number (Czech Republic)	d60c4c13-8f74-4c33-9b02-39b6b63d8d37
SCIP notification number (Denmark)	ebaf2fd8-2e37-40f1-967f-5688ab490a4f
SCIP notification number (Finland)	1b695069-2afa-4802-9d73-84e73faa99bb
SCIP notification number (France)	f831637c-4d0f-455b-b3b8-5b3ecadf6f0a
SCIP notification number (Germany)	5f74c46b-9d07-4ae2-8398-01cf90d6d763
SCIP notification number (Hungary)	3d9cb8d1-1d9e-4466-9d79-6162bb263299
SCIP notification number (Italy)	f6796654-c7a0-49bc-b94f-5a2bde779416
SCIP notification number (Netherlands)	f8409505-b798-451e-aa1e-f3a23fdda84b
SCIP notification number (Poland)	1f9b984a-74ea-4500-9a3f-b6f5ef9edb68
SCIP notification number (Romania)	a4715ea2-20f3-4060-9e55-82f23b2c2ad6
SCIP notification number (Sweden)	19684666-78d3-4a65-9b06-7fdb98b2bb89

Approvals / Certificates

General approvals



Approval	Standard	Certificate Name
EAC GZO Almaty Standart	TP TC 004/2011	EAC CoC 03078

Downloads

Environmental Product Compliance

Compliance Search

Environmental Product Compliance 286-344/004-000	↓
---	---

Documentation

Bid Text			
286-344/004-000	19.02.2019	xml 3.83 KB	↓
286-344/004-000	27.03.2015	doc 27.00 KB	↓

Instruction Leaflet			
Operation and Assembly Instructions Interface	V 1.0.0 02.04.2025	pdf 1246.19 KB	↓

CAD/CAE-Data

CAE data	
WSCAD Universe 286-344/004-000	↓

1 Compatible Products

1.1 Optional Accessories

1.1.1 Marking

1.1.1.1 Marker



Item No.: 209-701
WSB marking card; as card; not stretchable; plain; snap-on type; white

1.1.2 Terminal blocks

1.1.2.1 Terminal block for pluggable modules



Item No.: 280-639
Terminal block for pluggable modules; 10-pole; with 2-conductor terminal blocks; with orange separator; for DIN-rail 35 x 15 and 35 x 7.5; 2.5 mm²; CAGE CLAMP®; 2,50 mm²; gray



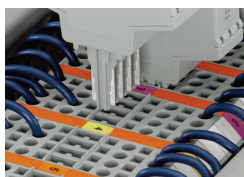
Item No.: 280-765
Terminal block for pluggable modules; 10-pole; with 4-conductor terminal blocks; with marker carrier; with orange separator; for DIN-rail 35 x 15 and 35 x 7.5; 2.5 mm²; CAGE CLAMP®; 2,50 mm²; gray



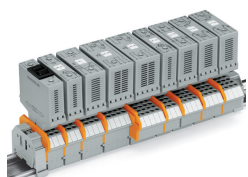
Item No.: 280-629
Terminal block for pluggable modules; 10-pole; with 4-conductor terminal blocks; with orange separator; for DIN-rail 35 x 15 and 35 x 7.5; 2.5 mm²; CAGE CLAMP®; 2,50 mm²; gray

Installation Notes

Installation



Coding ensures correct polarity.



Pluggable electronic modules on 2- or 4-conductor carrier terminal blocks

Marking



Marking via WMB Multi Marking System.

Testing



Function testing via touch-proof test slots