

4

3

2

1

THIS DRAWING IS UNPUBLISHED.

RELEASED FOR PUBLICATION

20

© COPYRIGHT 20

ALL RIGHTS RESERVED.

ES

REVISIONS

P	LTR	DESCRIPTION	DATE	DWN	APVD
	A	INITIAL RELEASE	25JUL2016	Z.W	X.X
	B	ADD NEW 1 POS PART NUMBERS	20JUN2017	Z.W	S.M

21.40

10.40

I PIN

8.75

6.30

GRAY	I	4-2834075-1
RED	I	3-2834075-1
BLACK	I	2-2834075-1
WHITE	I	1-2834075-1
COLOR	NO OF POSN	PART NUMBER

NOTES:

- MATERIAL:  
HOUSING: THERMOPLASTIC, UL94-V0.  
SEAL: RUBBER.
- PN: SEE TABLE
- PACKAGING: TRAY.
- PACKAGING SPEC: 107-137093.

THIS DRAWING IS A CONTROLLED DOCUMENT.

DIMENSIONS:

mm

TOLERANCES UNLESS OTHERWISE SPECIFIED:  
 $\pm 0.5$ 

0 PLC	$\pm$
1 PLC	$\pm$
2 PLC	$\pm$
3 PLC	$\pm$
4 PLC	$\pm$
ANGLES	$\pm 5^\circ$

MATERIAL

FINISH

-

DWN 15JULY2016

ZHANG WEI

CHK 15JULY2016

SHI MING

APVD 15JULY2016

XU XIANG

PRODUCT SPEC

108-137093

APPLICATION SPEC

114-137093

WEIGHT

-

CUSTOMER DRAWING

TE Connectivity

RECEPTACLE  
MINIATURE WATERPROOF CONN.

SIZE CAGE CODE DRAWING NO

A300779 C-2834075

RESTRICTED TO

-

SCALE 5:1

SHEET 1 OF 4

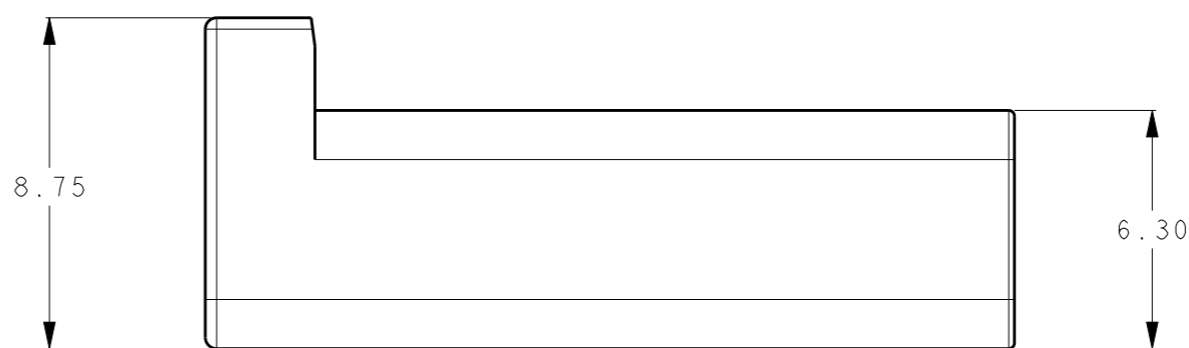
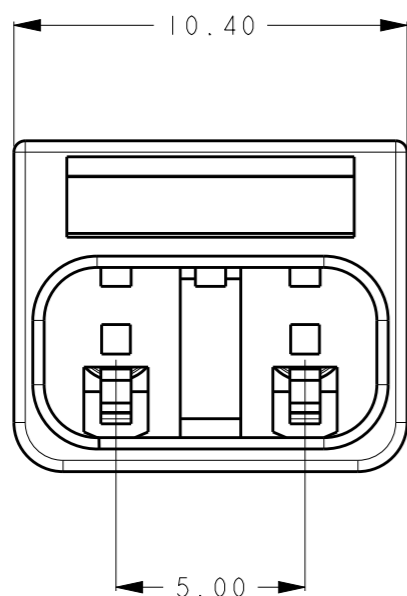
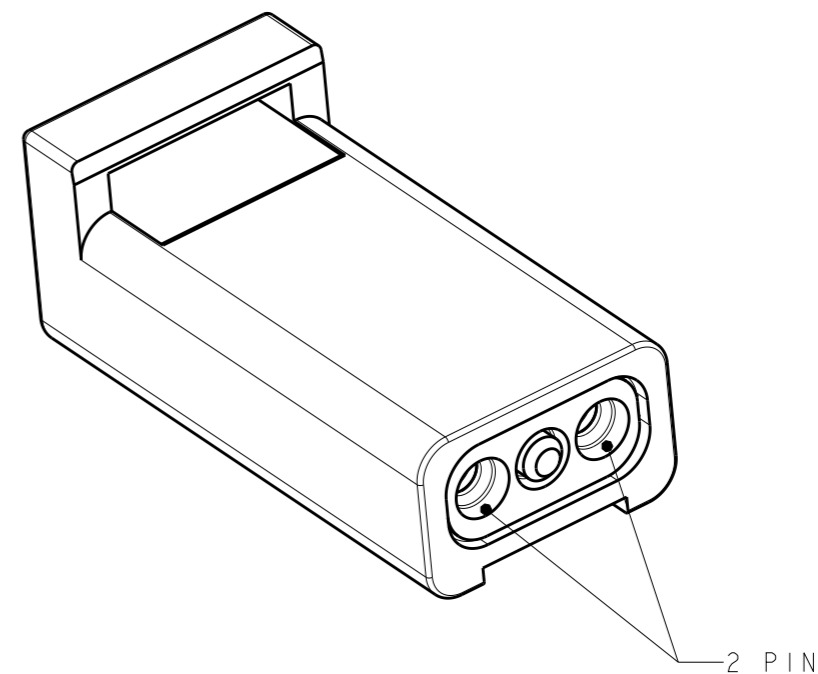
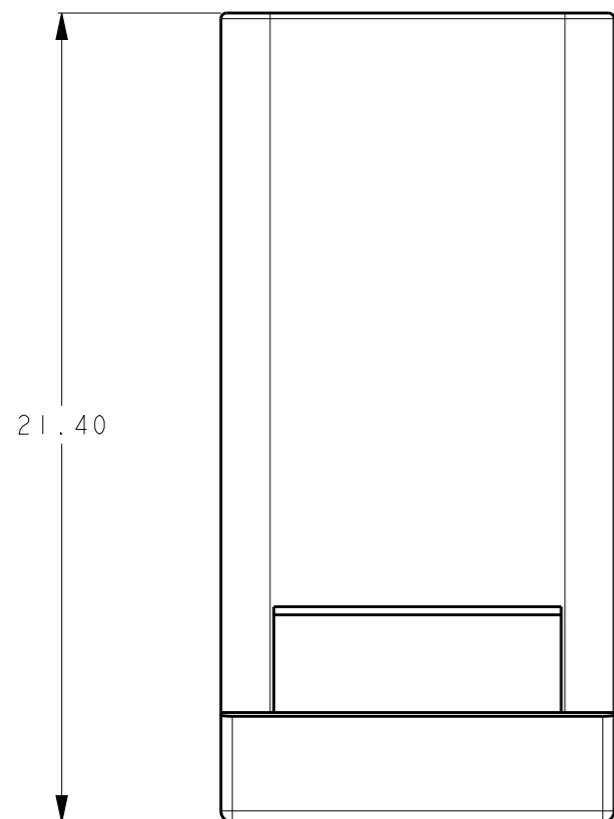
REV B

1470-19 (3/13)

Downloaded from [Arrow.com](http://Arrow.com)

REVISIONS

P	LTR	DESCRIPTION	DATE	DWN	APVD
		SEE SHEET 1			



GRAY	2	4-2834075-2
RED	2	3-2834075-2
BLACK	2	2-2834075-2
WHITE	2	1-2834075-2
COLOR	NO OF POSN	PART NUMBER

- NOTES:
- MATERIAL:  
HOUSING: THERMOPLASTIC, UL94-V0.  
SEAL: RUBBER.
  - PN: SEE TABLE
  - PACKAGING: TRAY.
  - PACKAGING SPEC: 107-137093.

THIS DRAWING IS A CONTROLLED DOCUMENT.

DIMENSIONS:	TOLERANCES UNLESS OTHERWISE SPECIFIED:
mm	$\pm 0.5$
	0 PLC $\pm$
	1 PLC $\pm$
	2 PLC $\pm$
	3 PLC $\pm$
	4 PLC $\pm$
	ANGLES $\pm 5^\circ$
MATERIAL	FINISH
	-

DWN	15JULY2016	ZHANG WEI
CHK	15JULY2016	SHI MING
APVD	15JULY2016	XU XIANG
PRODUCT SPEC	108-137093	
APPLICATION SPEC	114-137093	
WEIGHT	-	
CUSTOMER DRAWING		



RECEPTACLE  
MINIATURE WATERPROOF CONN.

SIZE	CAGE CODE	DRAWING NO	RESTRICTED TO
A300779	C=2834075		-
SCALE 5:1		SHEET 2 OF 4	REV B

4

3

2

1

THIS DRAWING IS UNPUBLISHED.

RELEASED FOR PUBLICATION

20

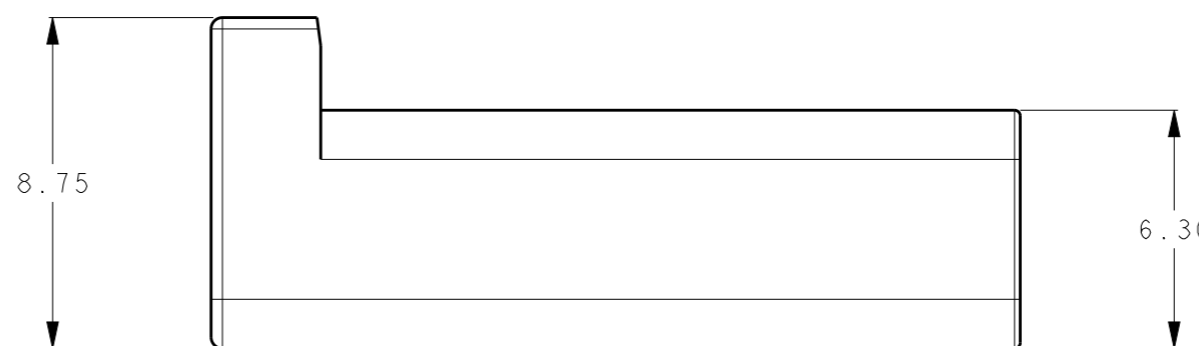
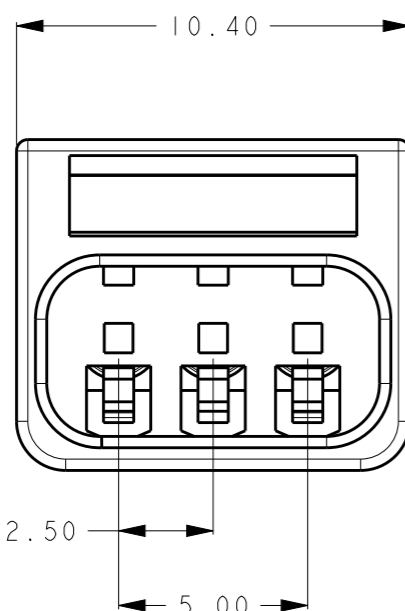
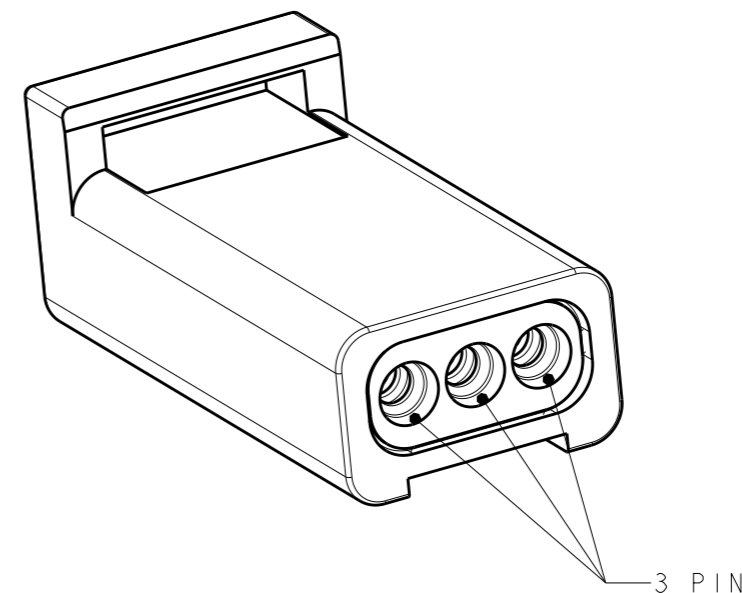
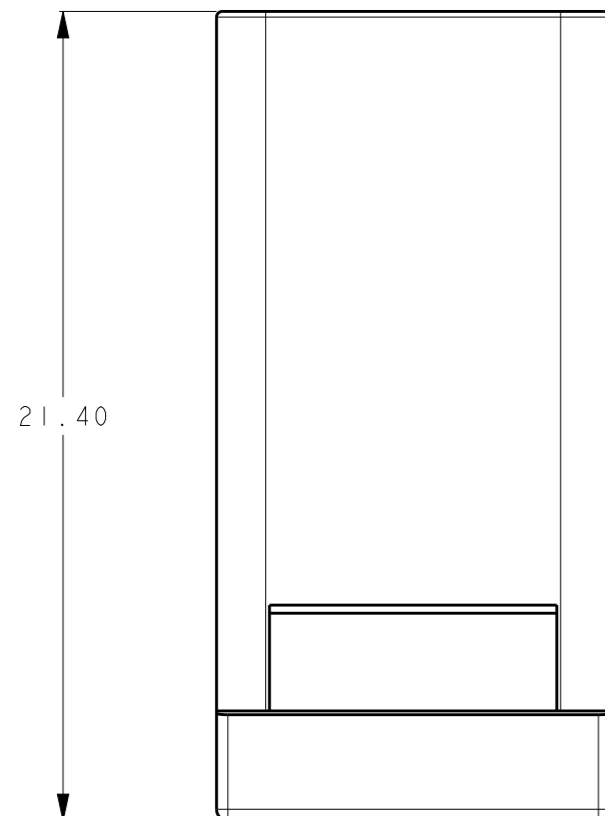
© COPYRIGHT 20

ALL RIGHTS RESERVED.

ES

REVISIONS

P	LTR	DESCRIPTION	DATE	DWN	APVD
		SEE SHEET 1			



GRAY	3	4-2834075-3
RED	3	3-2834075-3
BLACK	3	2-2834075-3
WHITE	3	1-2834075-3
COLOR	NO OF POSN	PART NUMBER

- NOTES:  
 1. MATERIAL:  
 HOUSING: THERMOPLASTIC, UL94-V0.  
 SEAL: RUBBER.  
 2. PN: SEE TABLE  
 3. PACKAGING: TRAY.  
 4. PACKAGING SPEC: 107-137093.

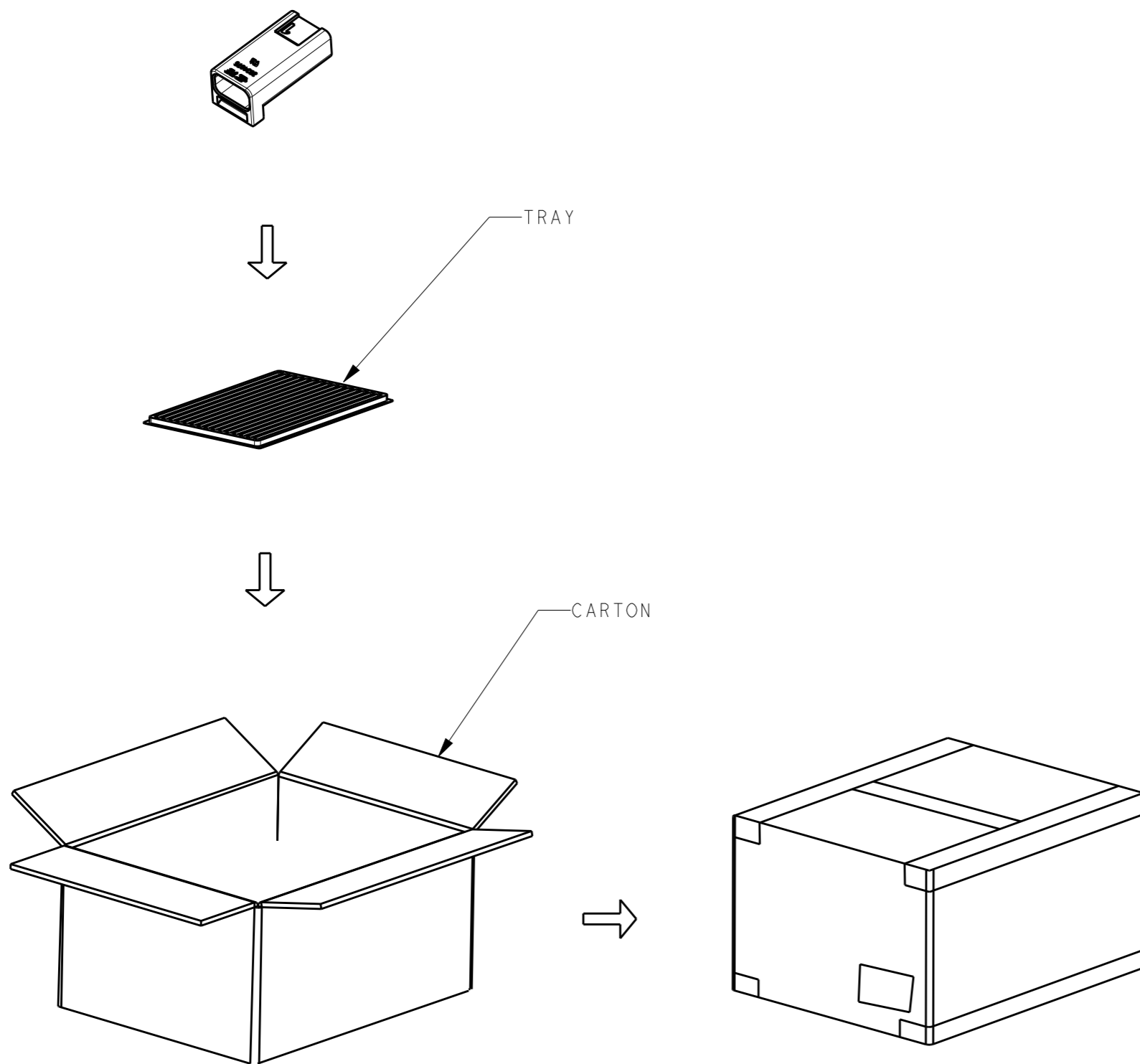
THIS DRAWING IS A CONTROLLED DOCUMENT.		DWN	15JULY2016	<b>STE</b> TE Connectivity
		CHK	15JULY2016	
		APVD	15JULY2016	
			XU XIANG	
DIMENSIONS: mm		TOLERANCES UNLESS OTHERWISE SPECIFIED: ± 0.5		NAME
		0 PLC ±		RECEPTACLE MINIATURE WATERPROOF CONN.
		1 PLC ±		SIZE
		2 PLC ±		CAGE CODE
		3 PLC ±		DRAWING NO
		4 PLC ±		RESTRICTED TO
		ANGLES ±5°		A300779
MATERIAL		FINISH		C-2834075
		-		SCALE 5:1
		WEIGHT		SHEET 3 OF 4
		CUSTOMER DRAWING		REV B

REVISIONS

P	LTR	DESCRIPTION	DATE	DWN	APVD
		SEE SHEET 1			

- NOTE:  
 1.PUT PARTS IN THE TRAY.  
 2.PUT PACKED TRAYS INTO CARTON.  
 3.SEAL THE CARTON  
 4.PACKAGING QUANTITY: SEE TABLE.  
 5.PACKAGING SPEC : 107-137093.

PART NUMBER	PARTS PER TRAY	TRAYS PER CARTON	PARTS PER CARTON
1-2834075-1	270 PCS	22	5760 PCS
2-2834075-1	270 PCS	22	5760 PCS
3-2834075-1	270 PCS	22	5760 PCS
4-2834075-1	270 PCS	22	5760 PCS
1-2834075-2	270 PCS	22	5760 PCS
2-2834075-2	270 PCS	22	5760 PCS
3-2834075-2	270 PCS	22	5760 PCS
4-2834075-2	270 PCS	22	5760 PCS
1-2834075-3	270 PCS	22	5760 PCS
2-2834075-3	270 PCS	22	5760 PCS
3-2834075-3	270 PCS	22	5760 PCS
4-2834075-3	270 PCS	22	5760 PCS



THIS DRAWING IS A CONTROLLED DOCUMENT.		DWN	15JULY2016	<b>STE</b> TE Connectivity
		CHK	15JULY2016	
		APVD	15JULY2016	
DIMENSIONS: mm		TOLERANCES UNLESS OTHERWISE SPECIFIED: ± 0.5		NAME
		0 PLC ±		RECEPTACLE MINIATURE WATERPROOF CONNECTOR
		1 PLC ±		
MATERIAL		2 PLC ±		SIZE
		3 PLC ±		CAGE CODE
FINISH		4 PLC ±		DRAWING NO
		ANGLES ± 5°		RESTRICTED TO
		PRODUCT SPEC		A300779
		APPLICATION SPEC		C-2834074
		WEIGHT		SCALE 5:1
		CUSTOMER DRAWING		SHEET 4 OF 4
				REV B