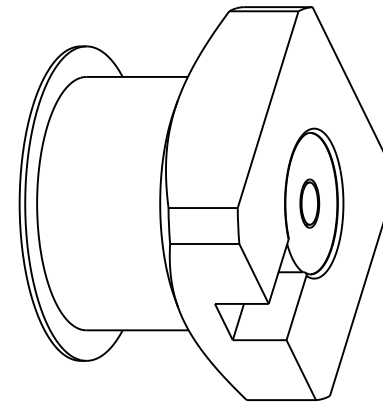
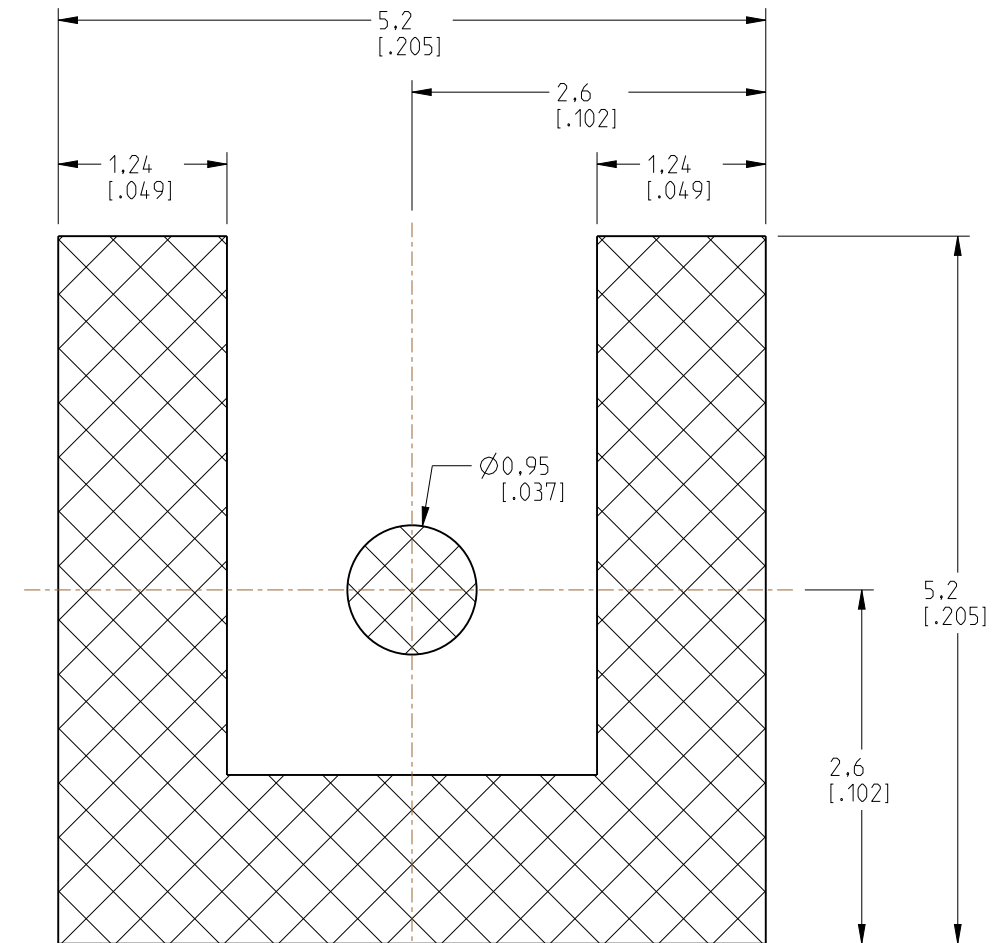
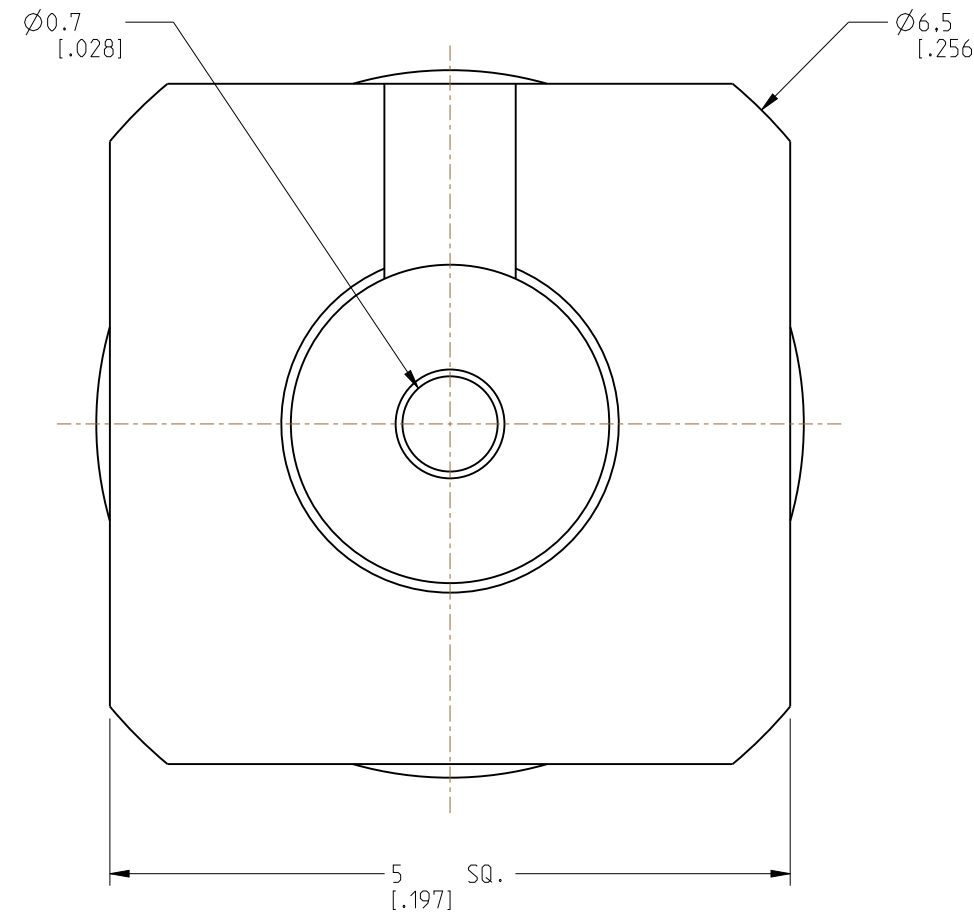
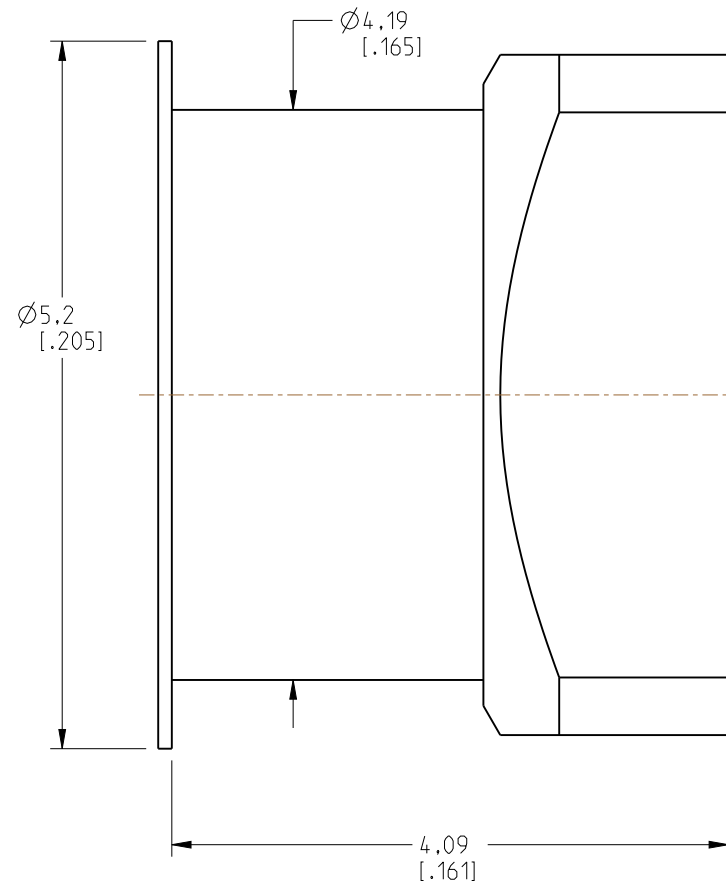


NOTES:

1. MATERIALS AND FINISHES:
 BODY - BRASS, GOLD PLATING
 CONTACT - BeCu, GOLD PLATING
 INSULATOR - PTFE, NATURAL
 KAPTON FILM - POLYIMIDE, AMBER
2. ELECTRICAL:
 A. IMPEDANCE: 50 OHM
 B. FREQUENCY RANGE: DC - 26.5 GHz
 C. VSWR(RETURN LOSS): 1.10 (26.4 dB), MAX. DC - 6 GHz
 1.15 (23.1 dB), MAX. 6 - 10 GHz
 1.30 (17.7 dB), MAX. 10 - 18 GHz
 D. DIELECTRIC WITHSTANDING VOLTAGE: 335 VRMS, MIN.
3. MECHANICAL:
 A. DURABILITY: 500 CYCLES MIN.
 B. ENGAGEMENT FORCE: 10 LBS [45 N] MAX.
 C. DISENGAGEMENT FORCE: 2 LBS [9 N] MIN.
 D. INNER CONTACT RETENTION FORCE: 1.5 LB [7 N] MIN.
 E. TEMPERATURE RANGE: -65° C TO 165° C
4. PACKAGING:
 A. QUANTITY: TAPE & REEL PACKAGING, 1000 PCS/REEL
 B. MARKING: REEL TO BE MARKED:
 "AMPHENOL, SMP-MSLD-PCS18T, DATE CODE"



| REVISIONS | | | | |
|-----------|-----------------|-----------|-------|----|
| REV | DESCRIPTION | DATE | ECN | BY |
| A | RELEASE TO MFG. | 29-JUL-19 | 12481 | SV |
| B | ADD KAPTON FILM | 31-MAR-25 | 17396 | SH |



RECOMMENDED PCB PAD LAYOUT

CUSTOMER OUTLINE DRAWING

ALL OTHER SHEETS ARE FOR INTERNAL USE ONLY

NOTICE: These drawings, specifications, or other data (1) are, and remain the property of Amphenol corp. (2) must be returned upon request; and (3) are confidential and not to be disclosed to any person other than those to whom they are given by Amphenol Corp. The furnishing of these drawings, specifications, or other data by Amphenol Corp., or to any other person to anyone for any purpose is not to be regarded by implication or otherwise in any manner licensing, granting rights to permitting such holder or any other person to manufacture, use or sell any product, process or design, patented or otherwise, that may in any way be related to or disclosed by said drawings, specifications, or other data.

UNLESS OTHERWISE SPECIFIED
 DIMENSIONS ARE METRIC (INCHES) AND TOLERANCES ARE:
 <0.5mm = ±0.05mm [-0.020 = ±0.002]
 0.5 - 6mm = ±0.1mm [+0.020 - 0.236 = ±0.004]
 >6.00 - 30mm = ±0.2mm [+0.236 - 1.181 = ±0.008]
 >30.00 - 120mm = ±0.3mm [+1.181 - 4.725 = ±0.012]

MATERIAL
 SEE NOTES

TITLE
 SMP JACK
 PCB SMT RECEPTACLE
 LIMITED DETENT

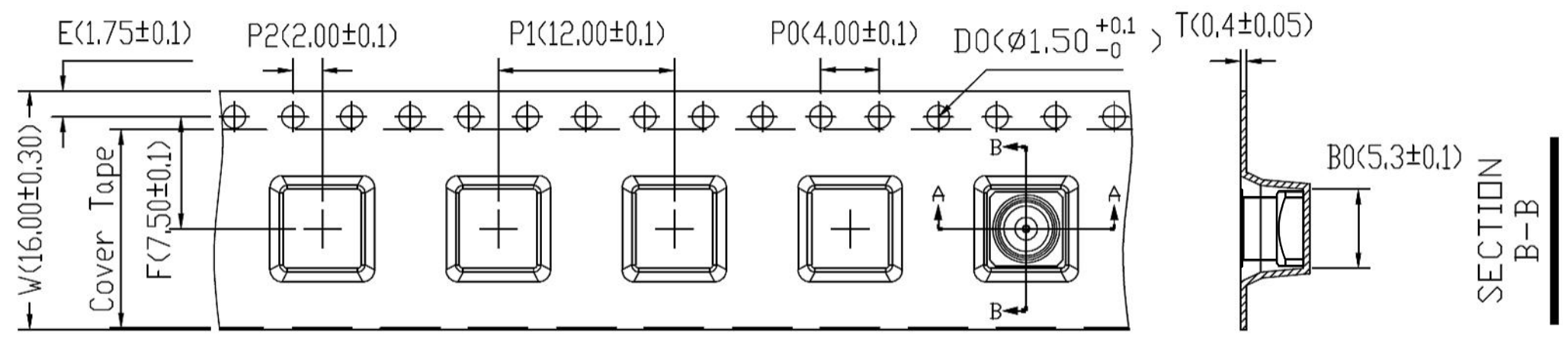
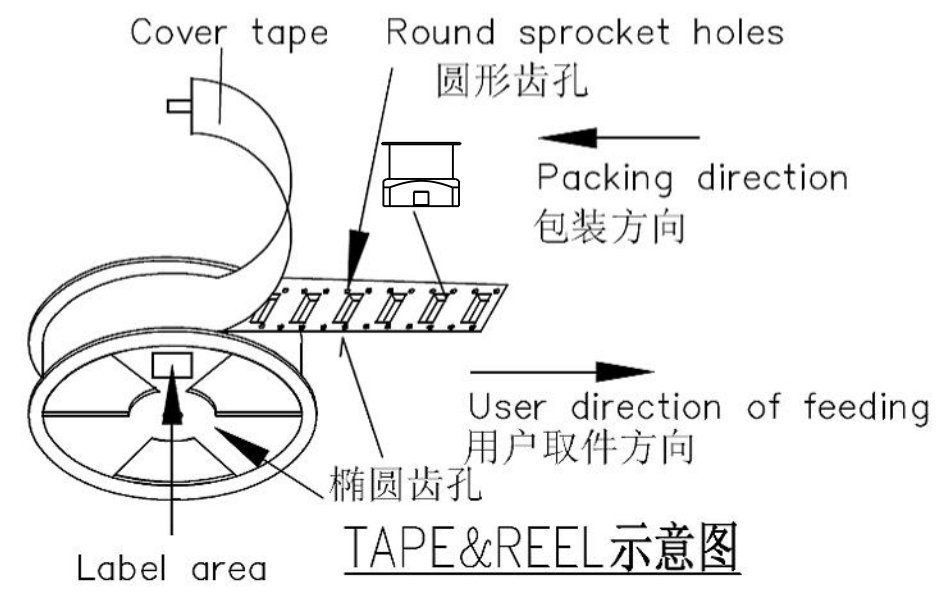
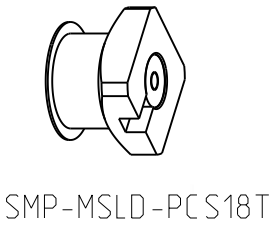
| | | |
|-----------------------------|--------------------------|----------|
| DRAWING NO. SMP-MSLD-PCS18T | | REV B |
| | | |
| SIZE B | PART NO. SMP-MSLD-PCS18T | |

| | | |
|-------------------|-----------|--------------|
| THIRD ANGLE PROJ. | REFERENCE | EAR# 8532 |
|-------------------|-----------|--------------|

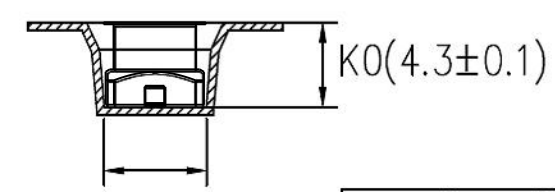
| | | |
|-------------------|--------------------|-------------------|
| ENGR.1 S. DUAN | ENGR.2 M. ZHANG | DATE 28-Mar-25 |
|-------------------|--------------------|-------------------|

| | |
|------------------|-----------------|
| SHEET NO. 2 OF 3 | SCALE: 18.0:1.0 |
|------------------|-----------------|

| REVISIONS | | | | |
|-----------|-----------------|-----------|-------|----|
| REV | DESCRIPTION | DATE | ECN | BY |
| A | RELEASE TO MFG. | 29-JUL-19 | 12481 | SV |
| B | ADD KAPTON FILM | 31-MAR-25 | 17396 | SH |



载带卷料方向



- Notes:
- 10 sprocket hole pitch cumulative tolerance $\pm 0.20\text{mm}$
(每10个链轮齿孔径累计公差为 $\pm 0.2\text{mm}$)
 - Carrier camber not to exceed 1mm in 250mm.
(传送料带弯曲变形度每250MM不超过1MM)
 - A_0 and B_0 measured on a plane 0.3mm above the bottom of the pocket. (A_0 与 B_0 在同一平面测量且距口袋底部0.3MM)
 - K_0 measured from a plane on the inside bottom of the pocket to the top surface of the carrier.
(K_0 为口袋底部与材料表面的平面距离。)
 - All dimensions meet EIA-481-D requirements.
(所有尺寸符合EIA-481-D标准要求。)
 - Material: Black Antistatic polystyrene.
(材料: 黑色聚苯乙烯。)
 - Thickness: $0.40 \pm 0.05 \text{ mm}$.
(厚度: 0.40 ± 0.05 毫米。)
 - Packing length per 13" reel : 12.864Meters.
(每个13"卷轴包装长度12.864米。)
 - Component loader per 13" reel : 1000pcs.
(每个13"卷轴可装1000个零件。)

技术要求:
在没有保护膜的情况下, 0-90度往返折弯3次, 卷带不会破裂; 冷封带0.3~1.3N;
厚度及防静电要求需满足要求, 防静电性能使用寿命至少大于半年。载带侧壁支撑力2kgf以上。

| 包装信息 | |
|--------|-------------------|
| 卷盘 | 330mmx16mm |
| 卷盘信息 | 宝蓝连体盘 |
| 上封带 | 13.3MM |
| 每盘格数 | 1000pcs+前后各空36pcs |
| 生产模具信息 | |
| 间距 | 12mm |
| 模具穴数 | 8穴 |
| 成型模数 | 134模 |
| 每盘长度 | 12.864M |

| ITEM | W | A_0 | B_0 | K_0 | K_1 | P_1 | F | E | D_0 | D_1 | P_0 | P_2 | T |
|------|--------|---------|---------|---------|-------|----------|---------|----------|--|-------|---------|---------|----------|
| DIM | 16±0.3 | 5.3±0.1 | 5.3±0.1 | 4.3±0.1 | | 12.0±0.1 | 7.5±0.1 | 1.75±0.1 | 1.5 ^{+0.1} / _{-0.00} | | 4.0±0.1 | 2.0±0.1 | 0.4±0.05 |

NOTICE: These drawings, specifications, or other data (1) are, and remain the property of Amphenol corp. (2) must be returned upon request; and (3) are confidential and not to be disclosed to any person other than those to whom they are given by Amphenol Corp. The furnishing of these drawings, specifications, or other data by Amphenol Corp., or to any other person for any purpose is not to be regarded by implication or otherwise in any manner licensing, granting rights to permitting such holder or any other person to manufacture, use or sell any product, process or design, patented or otherwise, that may in any way be related to or disclosed by said drawings, specifications, or other data.

THIRD ANGLE PROJ. REFERENCE EAR# 8532

UNLESS OTHERWISE SPECIFIED DIMENSIONS ARE METRIC (INCHES) AND TOLERANCES ARE:
 <0.5mm = $\pm 0.05\text{mm}$ [$-0.020 = \pm 0.002$]
 0.5 - 6mm = $\pm 0.1\text{mm}$ [$0.020 - 0.236 = \pm 0.004$]
 >6.00 - 30mm = $\pm 0.2\text{mm}$ [$0.236 - 1.181 = \pm 0.008$]
 >30.00 - 120mm = $\pm 0.3\text{mm}$ [$1.181 - 4.725 = \pm 0.012$]

ANGLES = $\pm 1^\circ$

MATERIAL

ENGR.1 S. DUAN ENGR.2 M. ZHANG DATE 28-Mar-25

TITLE SMP JACK PCB SMT RECEPTACLE LIMITED DETENT

SHEET NO. 3 OF 3 SCALE: 18.0:1.0

Amphenol RF

SIZE B DRAWING NO. SMP-MSLD-PCS18T ITEM NO. SMP-MSLD-PCS18T PART NO. SMP-MSLD-PCS18T REV B