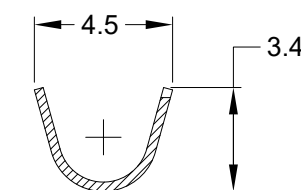
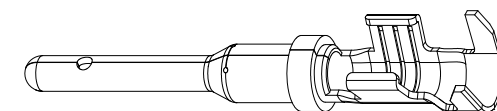
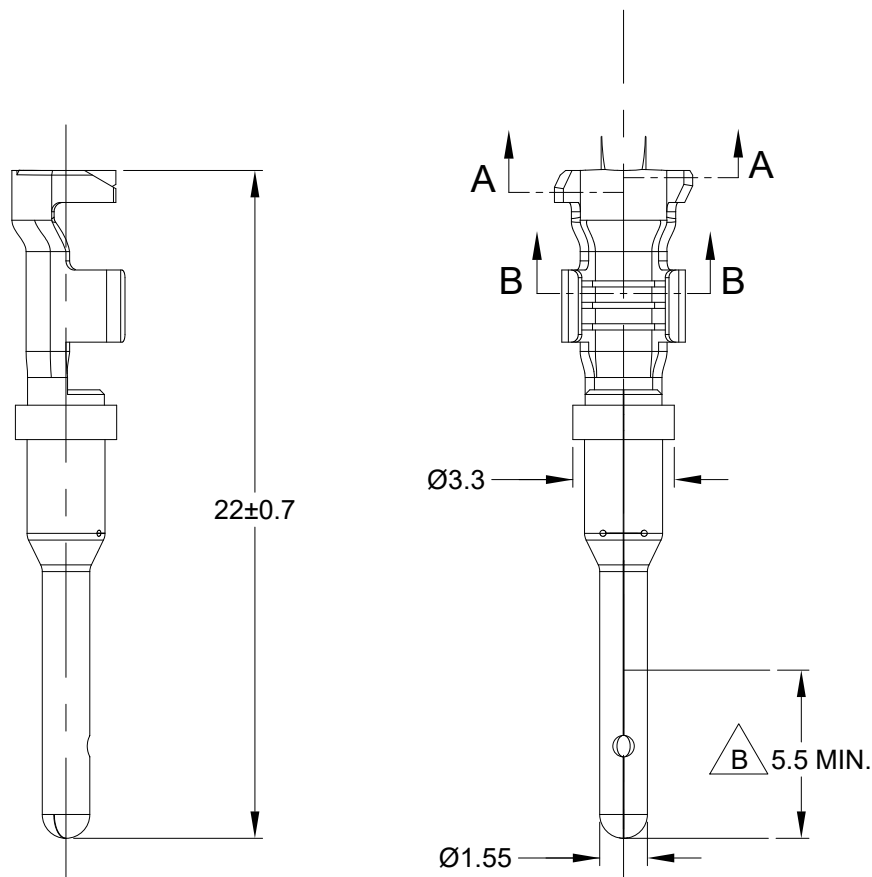
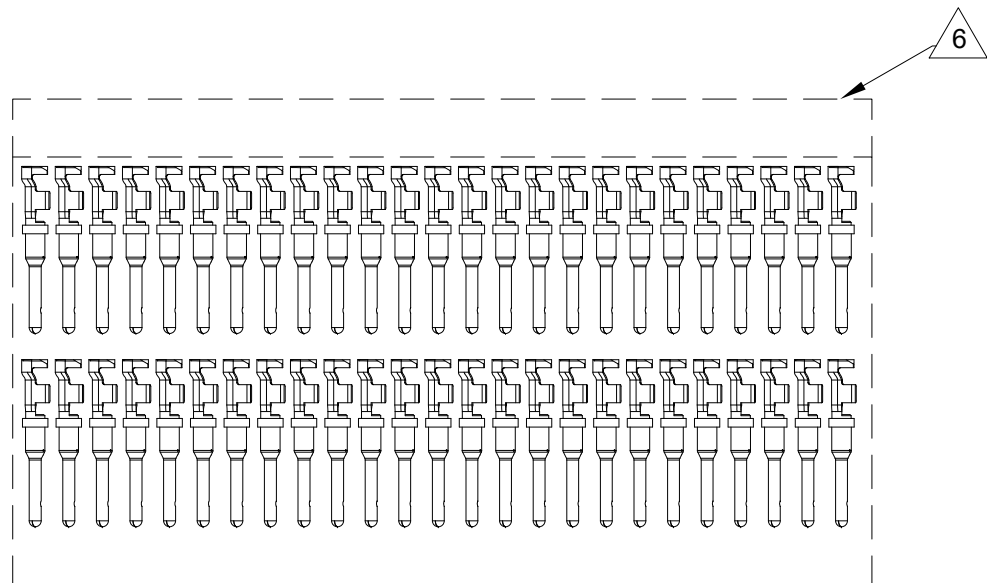
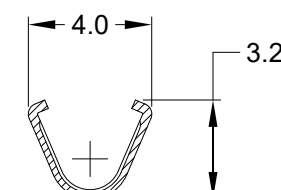


REVISIONS					
REV	ECO	DESCRIPTION	DATE	BY	APPR
A1	-	LOOSE PIECE RELEASE	09JUL24	CJF	-



SECTION A-A



SECTION B-B

NOTES: UNLESS OTHERWISE SPECIFIED

- MATERIAL: COPPER ALLOY
- PLATING: SEE PART NUMBER CHART
- CONTACT SIZE: 16
- SPECIFICATIONS:
 - CURRENT RATING: 13 AMPS
 - CONTACT MILLIVOLT DROP: 100 MILLIVOLT DROP @ 13 AMP TEST CURRENT.
 - RoHS COMPLIANT
- RECOMMENDED WIRE RANGE: 16 - 18 AWG
- PACKAGE: 50 PCS PER BAG
- AVAILABLE HAND TOOL: ATT-16-01
- ALL DIMENSIONS ARE FOR REFERENCE USE ONLY

PART NUMBER CHART		
PLATING	PART NUMBER	PLATING DESCRIPTION
NICKEL	AT60-16-0122-LP	SELECTIVE TIN OVER NICKEL OVERALL IN $\triangle A$ ZONE
GOLD	AT60-16-0144-LP	SELECTIVE GOLD FLASH OVER NICKEL OVERALL IN $\triangle B$ ZONE OR ENTIRE CONTACT
TIN	AT60-16-0177-LP	TIN OVER NICKEL OVERALL

SEE PART NUMBER CHART		REF: 1060-16-0144, 1060-16-0122, 1060-16-0177																						
QUANTITY	PART NUMBER	DESCRIPTION	ITEM																					
<table border="1"> <thead> <tr> <th colspan="3">MATERIALS LIST</th> </tr> <tr> <th>SIGNATURES</th> <th>DATE</th> <th></th> </tr> </thead> <tbody> <tr> <td>DRAWN: SULLEN.ZHANG</td> <td>14/SEP/20</td> <td></td> </tr> <tr> <td>CHECKED: ORION.LI</td> <td>15/SEP/20</td> <td></td> </tr> <tr> <td>ENGINEER:</td> <td></td> <td></td> </tr> <tr> <td>APPROVAL: TOMMY.XIE</td> <td>16/SEP/20</td> <td></td> </tr> <tr> <td>CUSTOMER:</td> <td></td> <td></td> </tr> </tbody> </table>				MATERIALS LIST			SIGNATURES	DATE		DRAWN: SULLEN.ZHANG	14/SEP/20		CHECKED: ORION.LI	15/SEP/20		ENGINEER:			APPROVAL: TOMMY.XIE	16/SEP/20		CUSTOMER:		
MATERIALS LIST																								
SIGNATURES	DATE																							
DRAWN: SULLEN.ZHANG	14/SEP/20																							
CHECKED: ORION.LI	15/SEP/20																							
ENGINEER:																								
APPROVAL: TOMMY.XIE	16/SEP/20																							
CUSTOMER:																								
<p>UNLESS OTHERWISE SPECIFIED</p> <p>1) All dimensions are in metric(mm).</p> <p>2) Tolerances are as follows:</p> <p>1 PL DEC ±0.30</p> <p>2 PL DEC ±0.15</p> <p>3 PL DEC ±0.08</p> <p>Fractions ±1/64</p> <p>Angles ±1°</p> <p>3) Note reference = $\triangle X$</p>			<p>Amphenol</p> <p>Sine Systems - www.amphenol-sine.com</p> <p>44724 Morley Drive</p> <p>Clinton Township, MI 48036</p>																					
<p>MATERIAL SPECIFICATIONS:</p>																								
<p>PROCESS SPECIFICATIONS:</p>																								
<p>NEXT ASSY:</p>			<p>CONTACT, PIN, STAMPED, SIZE 16, 50PCS BAGGED, 16-18 AWG, A SERIES</p>																					
<p>THIS DRAWING IS SUPPLIED FOR INFORMATION ONLY. DESIGN FEATURES, SPECIFICATIONS AND PERFORMANCE DATA SHOWN HEREON ARE THE PROPERTY OF THE AMPHENOL CORPORATION. NO RIGHTS OF REPRODUCTION ARE IMPLIED. ALL DIMENSIONS ARE SUBJECT TO NORMAL MANUFACTURING VARIATIONS.</p>		<p>SIZE: B C-</p> <p>SCALE: NONE</p>	<p>DWG NO: AT60-16-01XX-LP</p> <p>REVISION: A1</p>																					
			<p>SHEET 1 OF 1</p>																					

TITLE: PIN, STAMPED, SIZE 16, 16-18 AWG, A SERIES
 DWG NO: AT60-16-01XX
 REV: A1
 SH: 1
 OF: 1