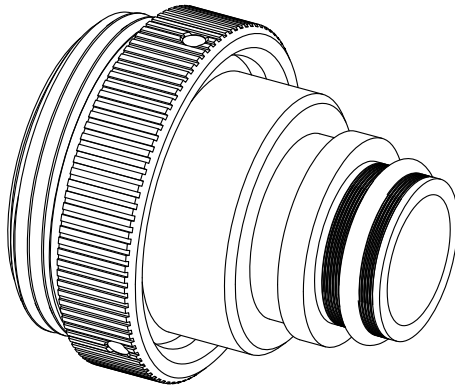


REVISION			
REV	DESCRIPTION	DATE	APPROVED
A	REVISED PER DCR R040732	9/23/04	MPIOZET
B	REVISED PER ECO-14-004946	5/19/14	I. MYONG



TXR24 – TINEL-LOCK ADAPTER – STRAIGHT, 45° AND 90° CONFIGURATION


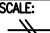

NOTES:

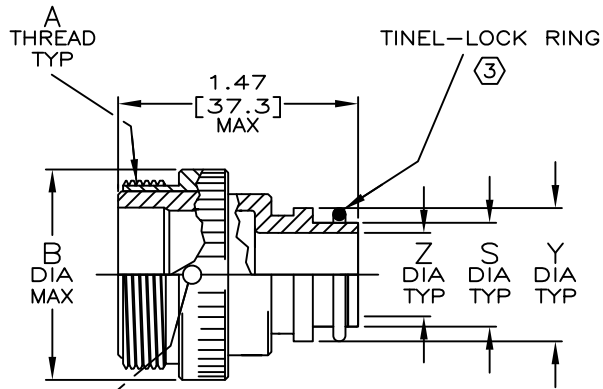
1. THIS PRODUCT IS DESIGNED TO TERMINATE A BRAIDED CABLE SHIELD AND A HEAT SHRINKABLE LIPPED BOOT TO A CONNECTOR.
2. SEE CH00-0250-008 FOR ORDERING INFORMATION, MODIFICATIONS AND ADDITIONAL DIMENSIONS.
- ③ SEE DRAWING TR FOR DETAIL ON TINEL-LOCK RING. RINGS ARE DESIGNED TO BE HEATED ELECTRICALLY. ALL RINGS ARE MARKED WITH THERMOCHROMIC PAINT WHICH CHANGES COLOUR WHEN INSTALLATION TEMPERATURE IS REACHED.
4. ADAPTER TO BE PERMANENTLY MARKED WITH CODE IDENTIFICATION NUMBER AND PART NUMBER LESS RING DESIGNATOR. (e.g. 06090-TXR24AB00-1810). RING SHALL BEAR NO MARKING.
- ⑤ FOR LARGER ENTRY SIZES, A 2 PIECE ADAPTER (TYPE II) IS SUPPLIED.
- ⑥ ADAPTER MATES TO: MIL-C-26482 SERIES I, MS3114 AND MS3124 RECEPTACLE CONNECTORS.
- ⑦ ANTI-ROTATIONAL SET SCREW, THREE #4-40 THREADED HOLES 120° APART, SINGLE MATING SET SCREW SUPPLIED: AN565DC4H2, NOT REQUIRED FOR TYPE II ADAPTERS.

If this document is printed it becomes uncontrolled. Check for the latest revision

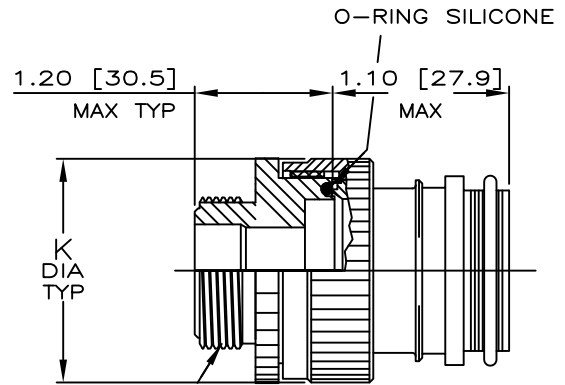
© 2014 Tyco Electronics Corporation. All rights reserved.

Raychem Adapters
CUSTOMER DRAWING

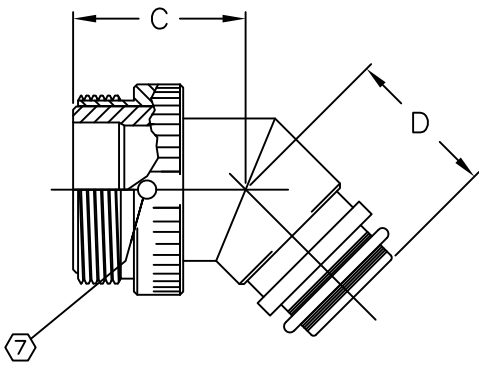
UNLESS OTHERWISE SPECIFIED DIMENSIONS ARE IN INCHES.		 TE Connectivity	
DECIMALS: XXX ± .005 XX ± .01 X ± .1	ANGLES: ± 1°		
TYCO ELECTRONICS RESERVES THE RIGHT TO AMEND THIS DRAWING AND THE INFORMATION SET FORTH HEREON AT ANY TIME. USERS SHOULD INDEPENDENTLY EVALUATE THE SUITABILITY OF THE PRODUCT FOR THEIR APPLICATION.		DOCUMENT NO: <h2 style="text-align: center;">TXR24</h2>	
DRAWN: T. NGUYEN	CAD FILE: TXR24.dwg	CAGE CODE: 06090	RPN: N/A
SIZE: A	SCALE: 	THIRD ANGLE PROJ. 	SHEET: 1_OF_3



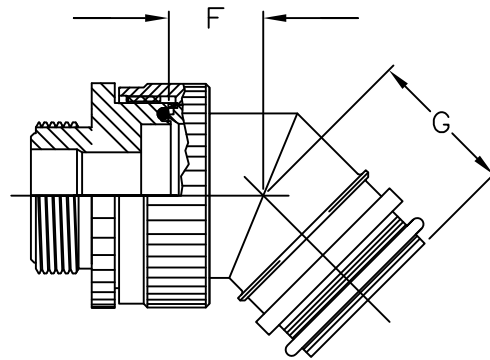
STRAIGHT ADAPTER - TYPE I



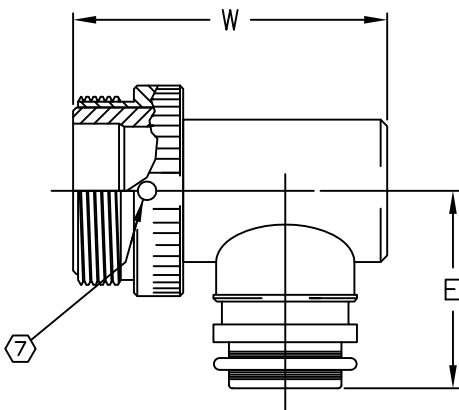
STRAIGHT ADAPTER - TYPE II



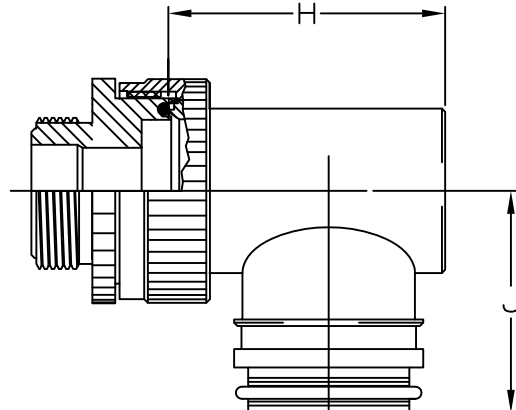
45° ADAPTER - TYPE I



45° ADAPTER - TYPE II



90° ADAPTER - TYPE I



90° ADAPTER - TYPE II

If this document is printed it becomes uncontrolled. Check for the latest revision

© 2014 Tyco Electronics Corporation. All rights reserved.

Raychem Adapters
CUSTOMER DRAWING

		DRAWING NO:		TXR24		
CAD FILE:	CAGE CODE:	RPN:	SIZE:	SCALE:	THIRD ANGLE PROJ.	SHEET:
TXR24.DWG	06090		N/A	A		2_OF_3

TABLE I: ORDER NO.

ORDER NO.	SHELL SIZE ⑥	MAX ENTRY SIZE TYPE I ⑤	A UNIFIED THREAD CLASS 2A	B DIA MAX	C MAX	D MAX	E MAX	W MAX
08	08	04	0.6250"-24 UNEF	.78 [19.8]	.94 [23.9]	.87 [22.1]	1.07 [27.2]	1.46 [37.2]
10	10	06	0.7500"-20 UNEF	.91 [23.1]	.96 [24.4]	.90 [22.9]	1.13 [28.7]	1.71 [43.6]
12	12	08	0.8750"-20 UNEF	1.03 [26.2]	.98 [24.9]	.92 [23.4]	1.20 [30.5]	1.78 [45.1]
14	14	10	1.0000"-20 UNEF	1.16 [29.5]	1.02 [25.9]	.95 [24.1]	1.26 [32.0]	1.90 [48.3]
16	16	12	1.1250"-18 UNEF	1.28 [32.5]	1.04 [26.4]	.97 [24.6]	1.32 [33.5]	2.06 [52.3]
18	18	14	1.2500"-18 UNEF	1.41 [35.8]	1.06 [26.9]	1.00 [25.4]	1.38 [35.1]	2.15 [54.7]
20	20	14	1.3750"-18 UNEF	1.53 [38.9]	1.14 [29.0]	1.02 [25.9]	1.42 [36.1]	2.28 [57.8]
22	22	18	1.5000"-18 UNEF	1.66 [42.2]	1.16 [29.5]	1.05 [26.7]	1.51 [38.4]	2.34 [59.4]
24	24	18	1.6250"-18 UNEF	1.78 [45.2]	1.20 [30.5]	1.07 [27.2]	1.57 [39.9]	2.40 [61.0]


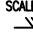

TABLE II — ENTRY SIZE

ENTRY SIZE	Z DIA +.010 -.020 [+0.25] [-0.50]	S DIAMETER	Y DIA #015 [#0.38]	F MAX	G MAX	H MAX	J MAX	K MAX
04	.250 [6.35]	.376 [9.56] .370 [9.39]	.550 [13.97]	N/A	N/A	N/A	N/A	N/A
05	.312 [7.92]	.438 [11.13] .432 [10.97]	.612 [15.54]	.77 [19.6]	.93 [23.6]	1.19 [30.2]	1.16 [29.5]	.80 [20.3]
06	.375 [9.52]	.501 [12.73] .495 [12.57]	.675 [17.14]	.77 [19.6]	.93 [23.6]	1.19 [30.2]	1.16 [29.5]	.80 [20.3]
07	.437 [11.09]	.563 [14.31] .556 [14.12]	.737 [18.71]	.80 [20.3]	.95 [24.1]	1.38 [35.1]	1.22 [31.0]	.92 [23.4]
08	.500 [12.70]	.626 [15.91] .619 [15.72]	.800 [20.32]	.80 [20.3]	.95 [24.1]	1.38 [35.1]	1.22 [31.0]	.92 [23.4]
10	.625 [15.87]	.752 [19.11] .742 [18.84]	.925 [23.49]	.84 [21.3]	1.00 [25.4]	1.51 [38.4]	1.35 [34.3]	1.18 [30.0]
12	.750 [19.05]	.877 [22.28] .867 [22.02]	1.050 [26.67]	.86 [21.8]	1.01 [25.7]	1.63 [41.4]	1.40 [35.6]	1.35 [34.3]
14	.875 [22.23]	1.002 [25.46] .991 [25.17]	1.175 [29.84]	.88 [22.4]	1.04 [26.4]	1.78 [45.2]	1.46 [37.1]	1.41 [35.8]
16	1.000 [25.40]	1.127 [28.63] 1.116 [28.34]	1.300 [33.02]	.91 [23.1]	1.06 [26.9]	1.88 [47.8]	1.53 [38.9]	1.60 [40.6]
18	1.125 [28.57]	1.252 [31.81] 1.241 [31.52]	1.425 [36.19]	.93 [23.6]	1.09 [27.7]	2.01 [51.1]	1.59 [40.4]	1.66 [42.2]
20	1.250 [31.75]	1.377 [34.98] 1.366 [34.69]	1.550 [39.37]	.98 [24.9]	1.13 [28.7]	2.13 [54.1]	1.78 [45.2]	2.04 [51.8]
22	1.375 [34.93]	1.502 [38.15] 1.488 [37.79]	1.675 [42.55]	1.03 [26.2]	1.38 [35.1]	2.29 [58.2]	1.85 [47.0]	2.23 [56.6]
24	1.500 [38.10]	1.627 [41.33] 1.613 [40.97]	1.800 [45.72]	1.08 [27.4]	1.44 [36.6]	2.42 [61.5]	1.92 [48.8]	2.23 [56.6]

If this document is printed it becomes uncontrolled. Check for the latest revision

© 2014 Tyco Electronics Corporation. All rights reserved.

Raychem Adapters
CUSTOMER DRAWING

		DRAWING NO:		TXR24			
CAD FILE:	CAGE CODE:	RPN:	SIZE:	SCALE:	THIRD ANGLE PROJ.	SHEET:	
TXR24.DWG	06090	N/A	A			3_OF_3	