

MODEL: CMT-1261-SMT | DESCRIPTION: PIEZO BUZZER TRANSDUCER

FEATURES

- low current
- washable
- externally driven



SPECIFICATIONS

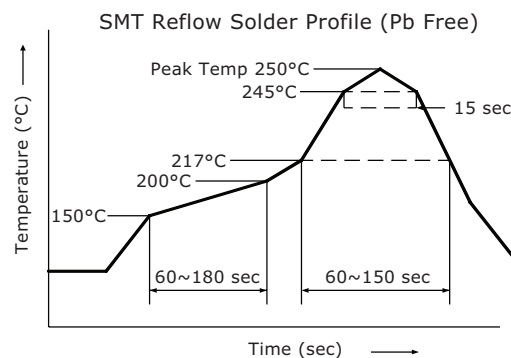
parameter	conditions/description	min	typ	max	units
operating voltage				20	Vp-p
current consumption	at 10 Vp-p, 5,000 Hz square wave			11	mA
rated frequency			5,000		Hz
sound pressure level	at 10 cm, 10 Vp-p, 5,000 Hz square wave	90			dB
electrostatic capacity	at 1 kHz/1 V	13,300	19,000	24,700	pF
dimensions	16.9 x 16.9 x 7.8				mm
weight				2.6	g
material	PPS UL-94 V-0 (black)				
terminal	SMT type (Au plating)				
operating temperature		-30		70	°C
storage temperature		-40		80	°C
RoHS	yes				

Notes: 1. All specifications measured at 5-35°C, humidity at 45-85%, under 86-106 kPa pressure, unless otherwise noted.

SOLDERABILITY

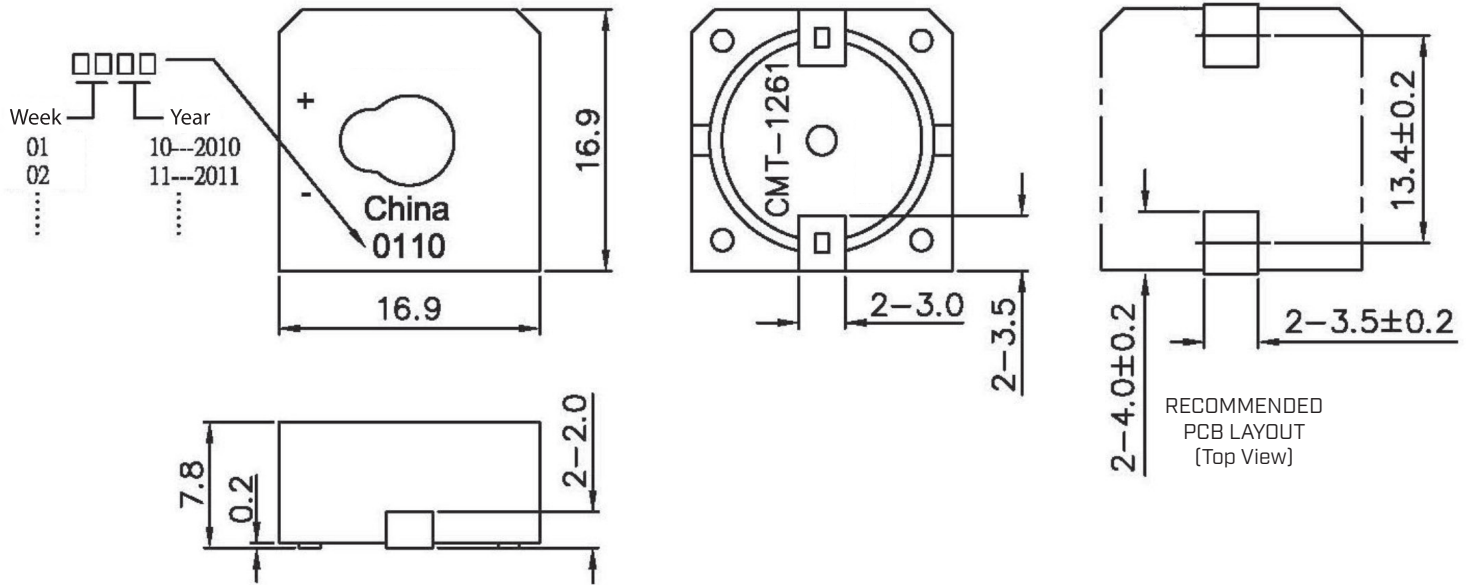
parameter	conditions/description	min	typ	max	units
reel storage	at relative humidity <60%			30	°C
reflow soldering ²	see recommended reflow soldering profile			260	°C
drying conditions ³	bake at 40°C for 24 hours				

Note: 2. It is recommended to reflow solder within 48 hours from opening vacuum packaging at a temperature <30°C & relative humidity <60%.
3. When out of packaging for more than 48 hours.

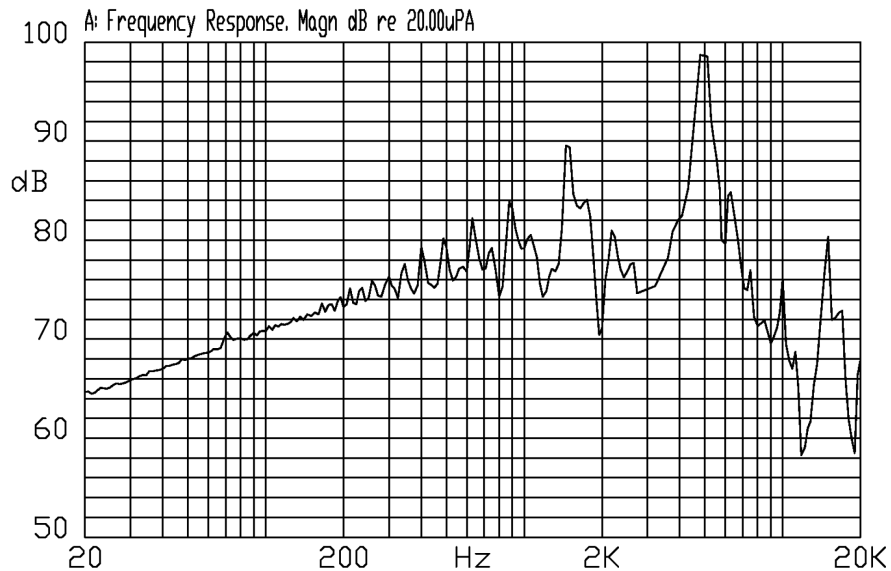


MECHANICAL DRAWING

units: mm
tolerance: ±0.5 mm



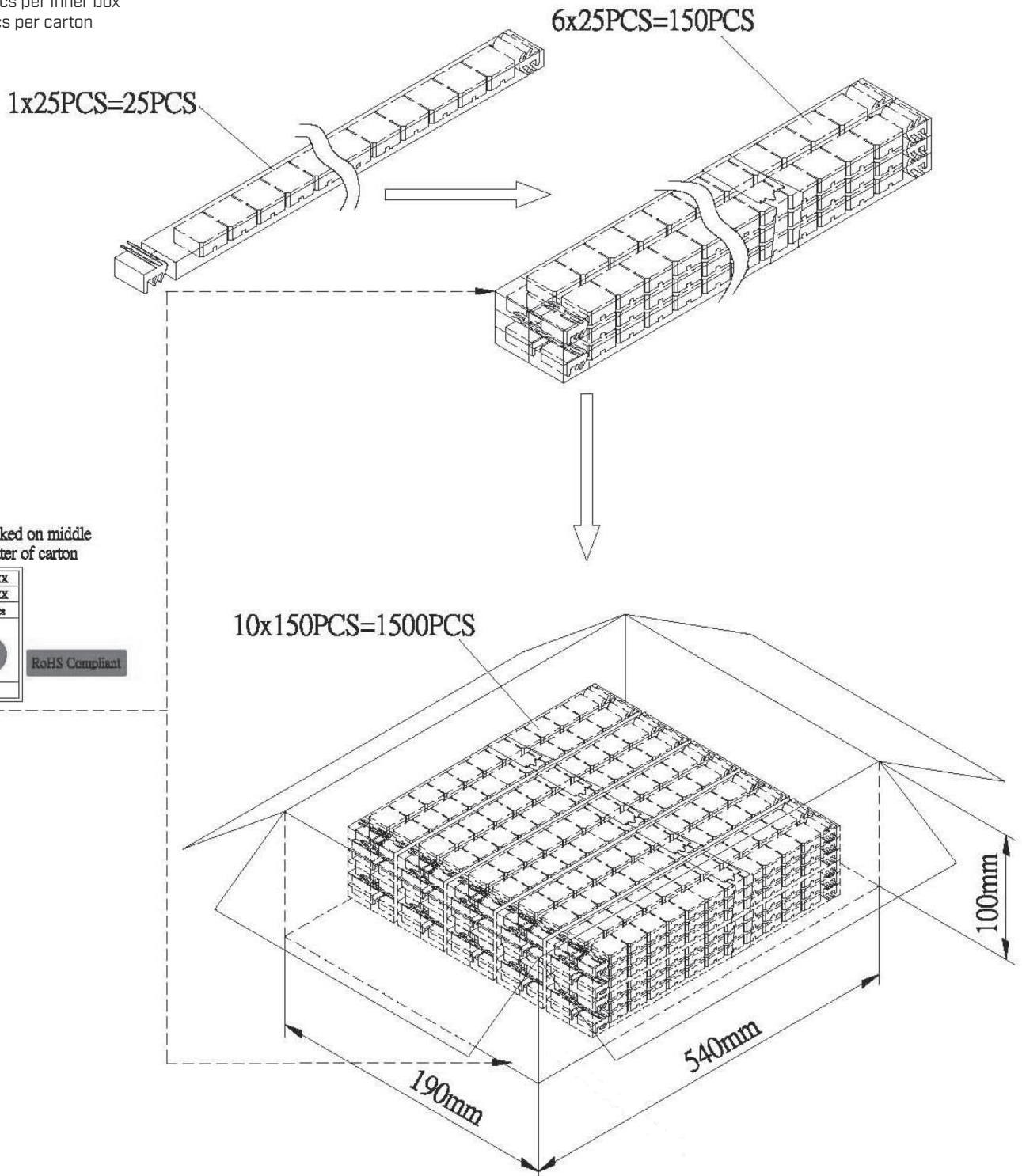
FREQUENCY RESPONSE CURVE



PACKAGING

units: mm

Tube Size: 450 x 18.6 x 9.7 mm
 Inner box Size: 450 x 37.2 x 29.1 mm
 Carton Size: 540 x 190 x 100 mm
 Tube QTY: 25 pcs per reel
 Inner Box QTY: 150 pcs per inner box
 Carton QTY: 1,500 pcs per carton



REVISION HISTORY

rev.	description	date
1.0	initial release	06/03/2005
1.01	applied new template	06/29/2006
1.02	updated part number, added TR package option, applied new spec template	05/13/2013
1.03	added storage and drying conditions, and packaging details	07/25/2019
1.04	brand update	01/06/2020
1.05	logo, datasheet style update	08/05/2022
1.06	CUI Devices rebranded to Same Sky	09/11/2024

The revision history provided is for informational purposes only and is believed to be accurate.



Same Sky offers a one (1) year limited warranty. Complete warranty information is listed on our website.

Same Sky reserves the right to make changes to the product at any time without notice. Information provided by Same Sky is believed to be accurate and reliable. However, no responsibility is assumed by Same Sky for its use, nor for any infringements of patents or other rights of third parties which may result from its use.

Same Sky products are not authorized or warranted for use as critical components in equipment that requires an extremely high level of reliability. A critical component is any component of a life support device or system whose failure to perform can be reasonably expected to cause the failure of the life support device or system, or to affect its safety or effectiveness.

[sameskydevices.com](https://www.sameskydevices.com)