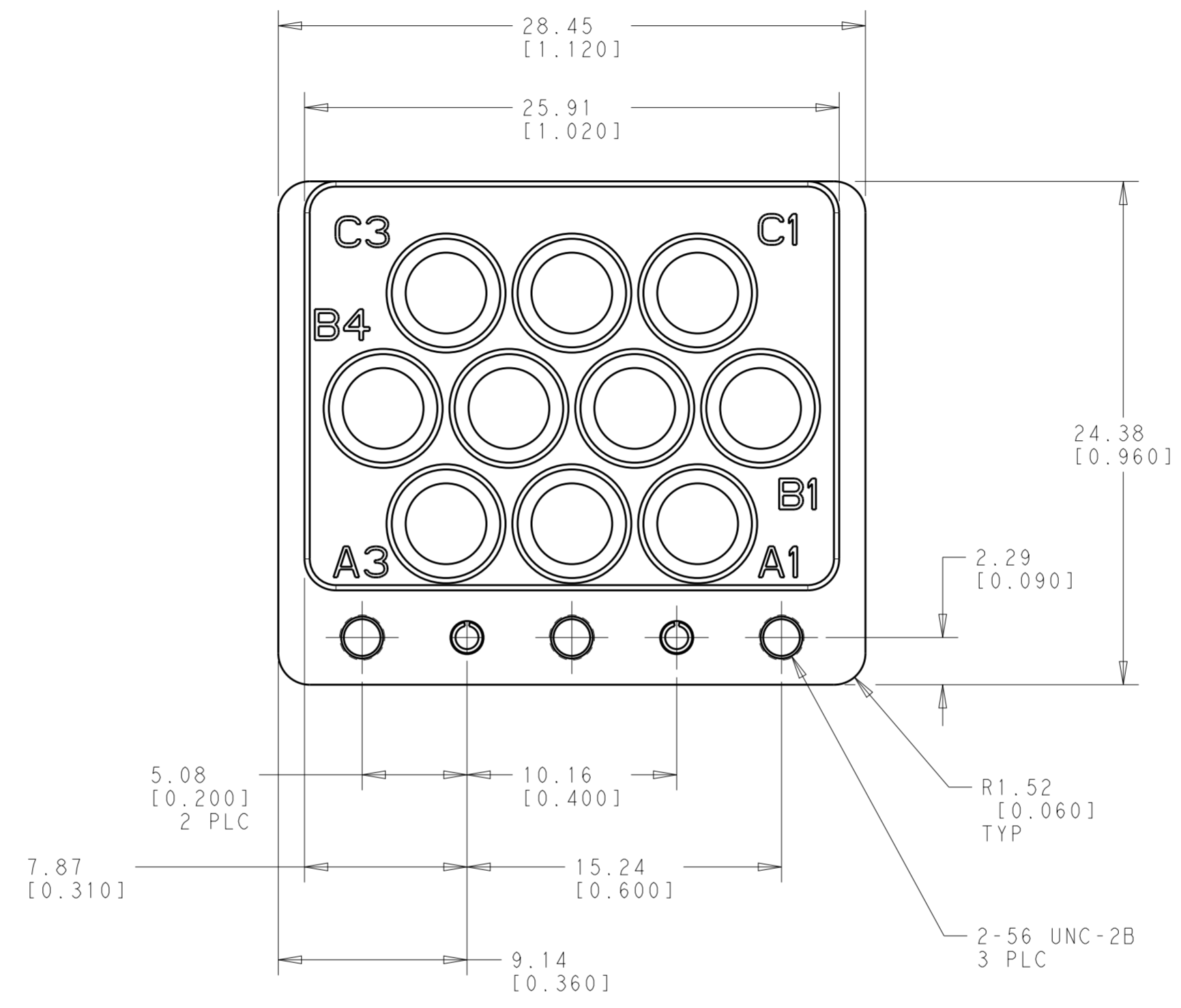
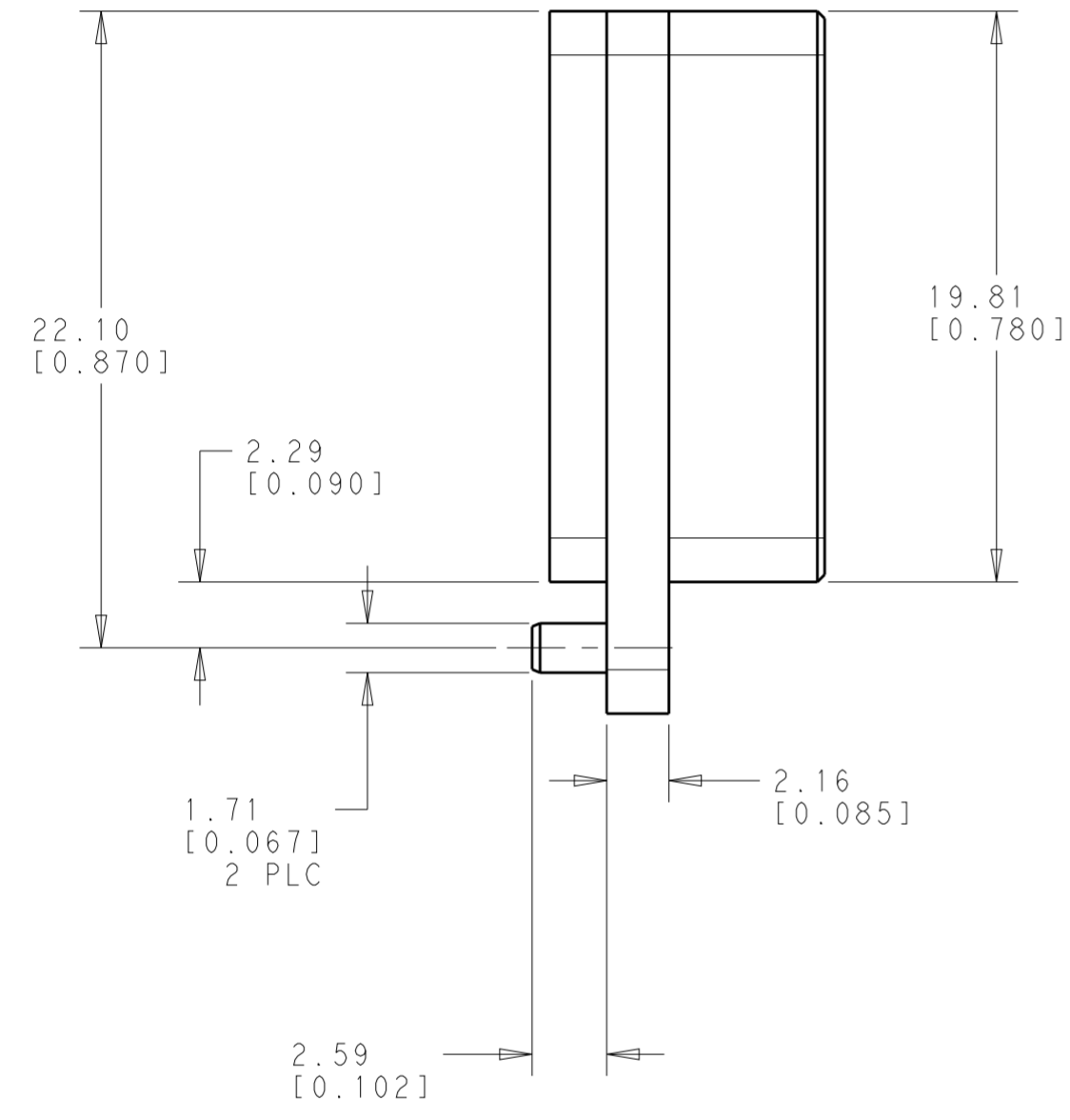
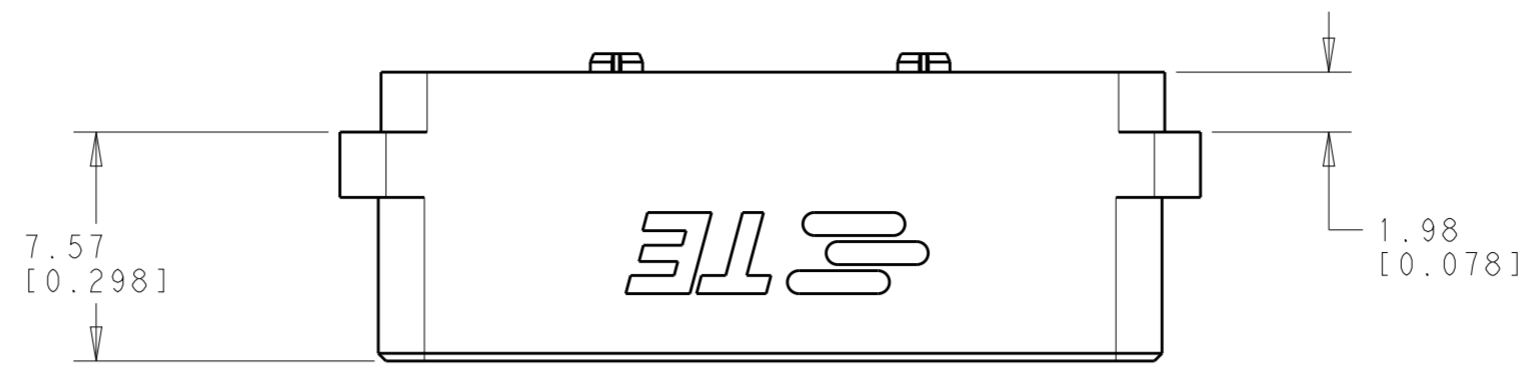


P	LTR	DESCRIPTION	DATE	DWN	APVD
A		RELEASED PER ECO 19-008968	8-15-19	CT	FB



2323763-2	HOUSING	ALUMINUM ALLOY 7075-T651	TRIVALENT CHROMATE CONVERSION COATING, PER MIL-DTL-5541F, CLASS 1A, TYPE II
	SPRING PIN	NICKEL STAINLESS STEEL	PASSIVATED
2323763-1	HOUSING	STAINLESS STEEL PER ASTM A484 AND ASTM A582, TYPE 303	PASSIVATED
	SPRING PIN	NICKEL STAINLESS STEEL	PASSIVATED
TE PART NO.	COMPONENT	MATERIAL	FINISH

THIS DRAWING IS A CONTROLLED DOCUMENT.

DWN: D. WILSON 04AUG2017
 CHK: D. WILSON 04AUG2017
 APVD: D. WILSON 04AUG2017

STE TE Connectivity

NAME: VITA 67.3 BACKPLANE MODULE
 10 POSN PER VITA 65.1 R6.4.5.6.3
 FOR FRNT WASHER SMPM FLOAT MNT JACK

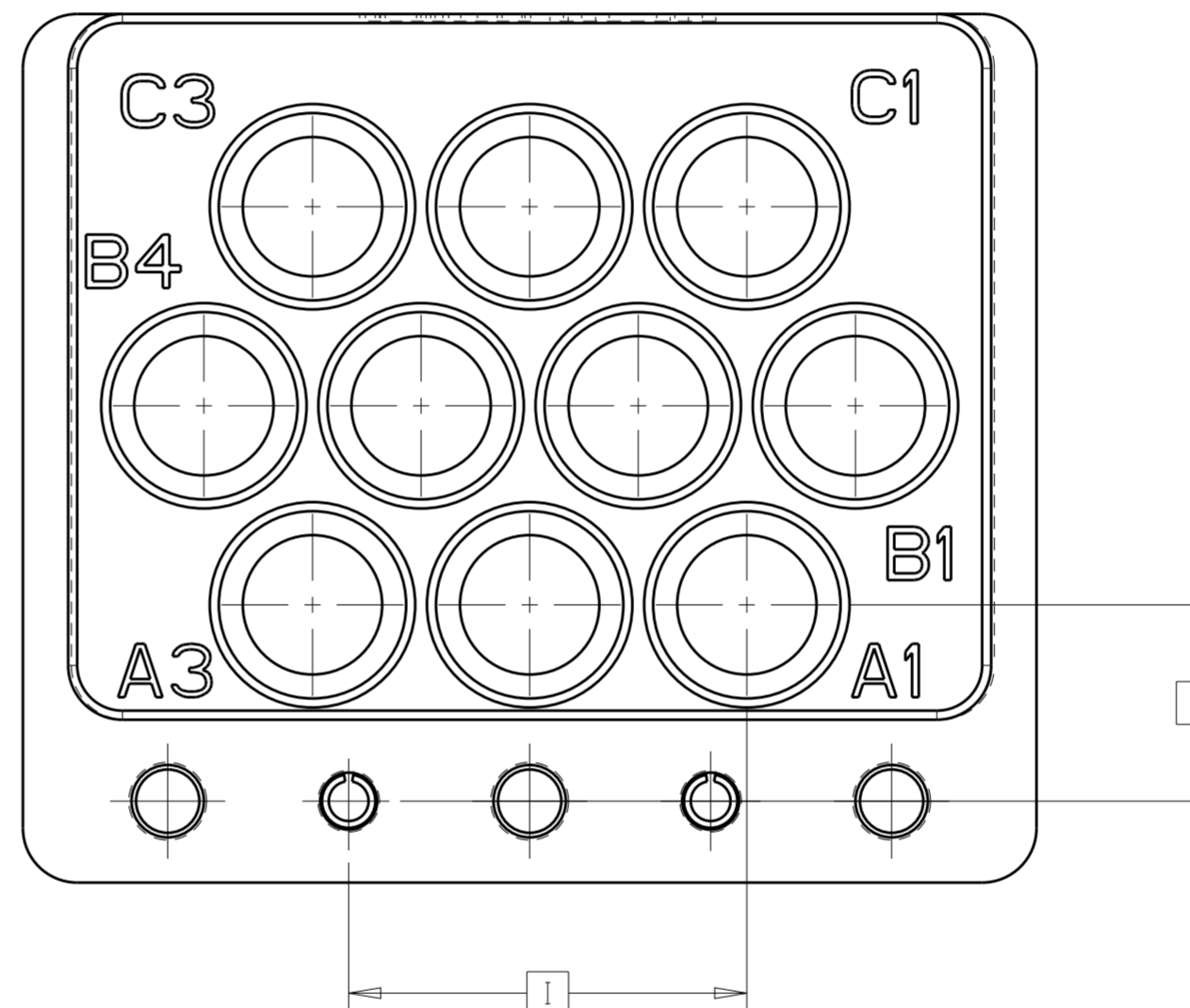
SIZE: A2 CAGE CODE: 00779 DRAWING NO: C-2323763 RESTRICTED TO: A

MATERIAL: - DIMENSIONS: mm [INCHES] TOLERANCES UNLESS OTHERWISE SPECIFIED: 0 PLC ±, 1 PLC ±0.5 [.02], 2 PLC ±0.13 [.005], 3 PLC ±0.013 [.0005], 4 PLC ±, ANGLES ±, FINISH -

PRODUCT SPEC: - APPLICATION SPEC: - WEIGHT: -

CUSTOMER DRAWING SCALE: 4:1 SHEET: 1 OF 3 REV: A

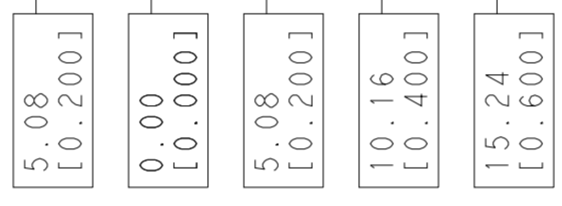
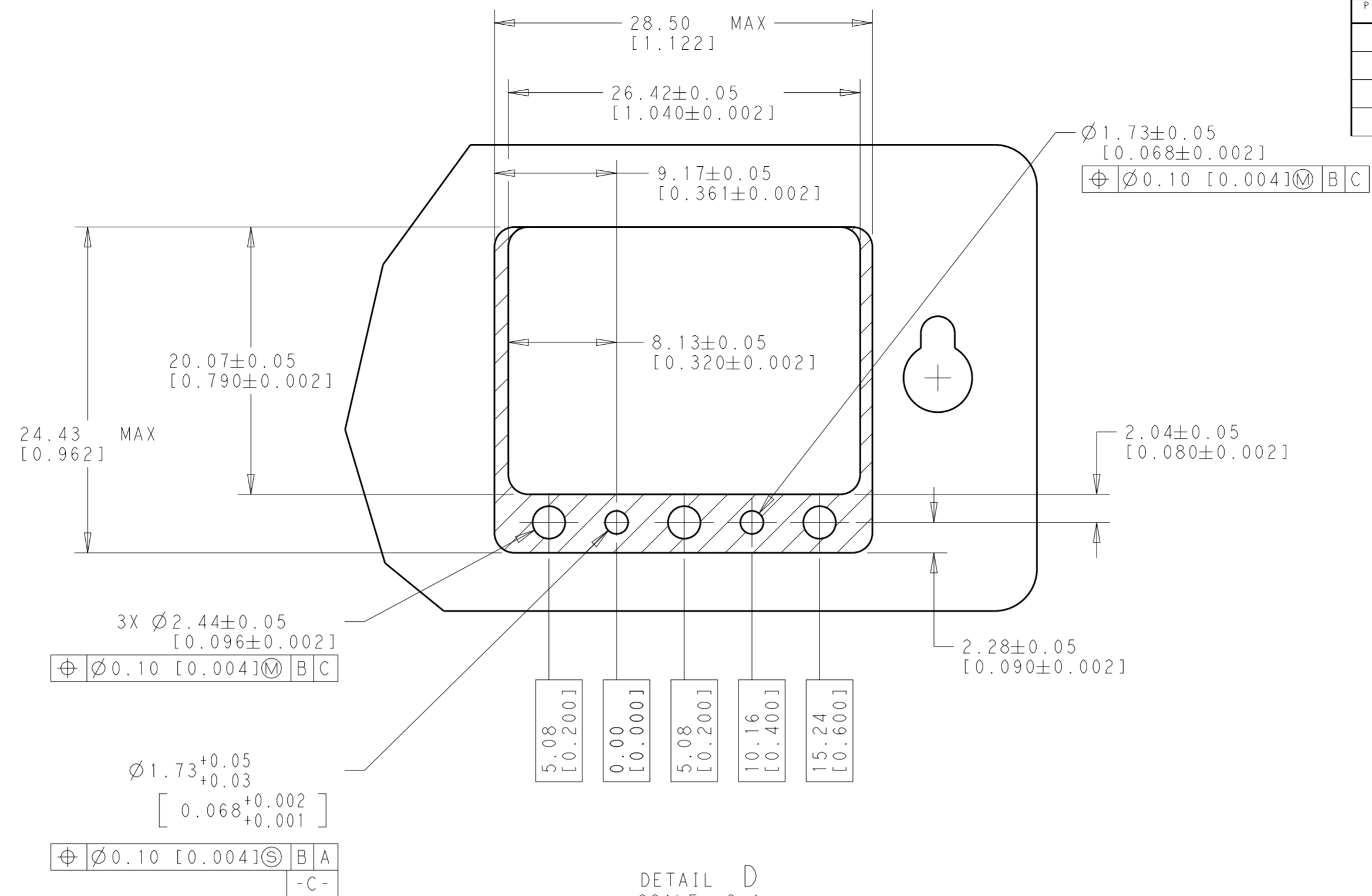
REVISIONS				
P	LTR	DESCRIPTION	DATE	APVD
-		SEE SHEET 1	-	-



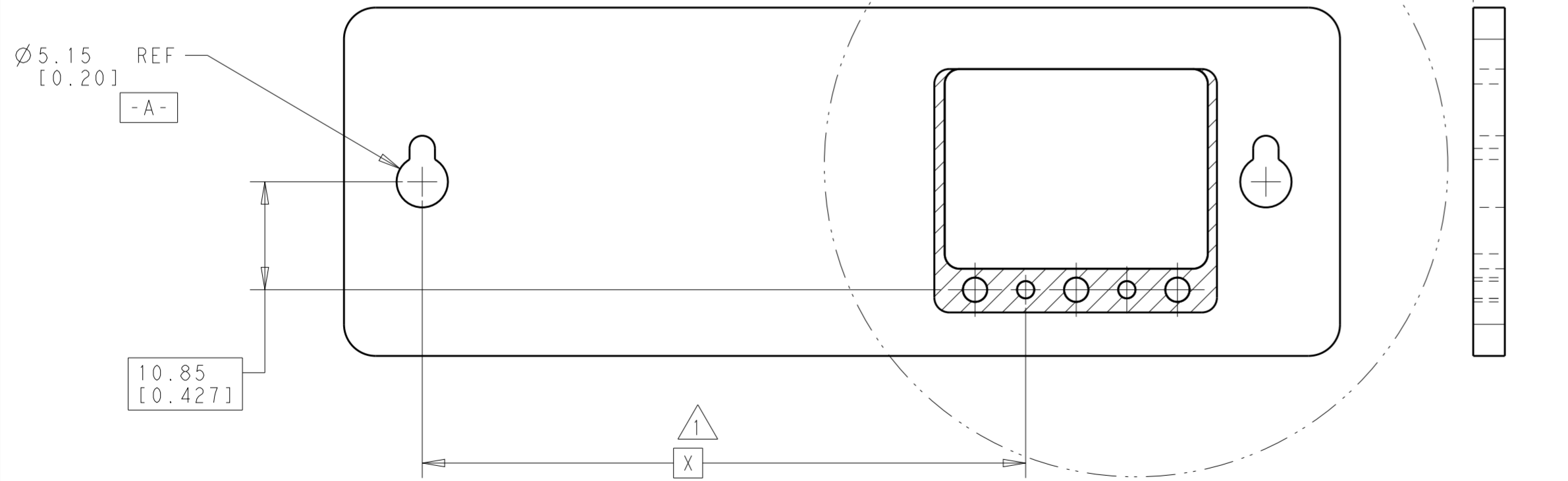
HOLE CHART		
HOLE ID	I	J
A1	11.176 [.440]	5.512 [.217]
A2	5.08 [.200]	5.512 [.217]
A3	-1.016 [-.040]	5.512 [.217]
B1	14.224 [.560]	11.1 [.437]
B2	8.128 [.320]	11.1 [.437]
B3	2.032 [.080]	11.1 [.437]
B4	-4.064 [-.160]	11.1 [.437]
C1	11.176 [.440]	16.688 [.657]
C2	5.08 [.200]	16.688 [.657]
C3	-1.016 [-.040]	16.688 [.657]

THIS DRAWING IS A CONTROLLED DOCUMENT.		DWN D. WILSON 04AUG2017	 TE Connectivity
DIMENSIONS: mm [INCHES]		CHK D. WILSON 04AUG2017	
TOLERANCES UNLESS OTHERWISE SPECIFIED:		APVD D. WILSON 04AUG2017	
0 PLC ± 1 PLC ±0.5 [.02] 2 PLC ±0.13 [.005] 3 PLC ±0.013 [.0005] 4 PLC ± ANGLES ± FINISH -		PRODUCT SPEC - APPLICATION SPEC - WEIGHT -	
MATERIAL	-	CUSTOMER DRAWING	NAME VITA 67.3 BACKPLANE MODULE 10 POSN PER VITA 65.1 R6.4.5.6.3 FOR FRNT WASHER SMPM FLOAT MNT JACK SIZE A2 CAGE CODE 00779 DRAWING NO C-2323763 RESTRICTED TO SCALE 4:1 SHEET 2 OF 3 REV A

P	LTR	DESCRIPTION	DATE	DWN	APVD
-		SEE SHEET 1	-	-	-



DETAIL D
SCALE 3:1



SEE VITA 67 SPECIFICATIONS FOR CONNECTOR LOCATION ON BACKPLANE PCB.

THIS DRAWING IS A CONTROLLED DOCUMENT.		DWN D. WILSON 04AUG2017	TE Connectivity
DIMENSIONS: mm [INCHES]		CHK D. WILSON 04AUG2017	
TOLERANCES UNLESS OTHERWISE SPECIFIED:		APVD D. WILSON 04AUG2017	
0 PLC ± 1 PLC ±0.5 [0.02] 2 PLC ±0.13 [0.005] 3 PLC ±0.013 [0.0005] 4 PLC ± ANGLES ± FINISH -		NAME VITA 67.3 BACKPLANE MODULE 10 POSN PER VITA 65.1 R6.4.5.6.3 FOR FRNT WASHER SMPM FLOAT MNT JACK	
MATERIAL	-	PRODUCT SPEC	SIZE
		APPLICATION SPEC	CAGE CODE
		WEIGHT	DRAWING NO
		CUSTOMER DRAWING	A200779
		SCALE	4:1
		SHEET	3 OF 3
		REV	A