

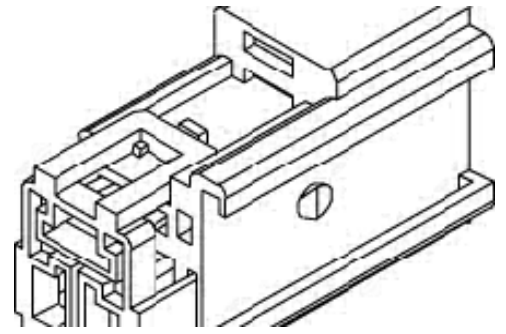
Part Number : [352720310](#)

Product Description : 6.00mm Tab Wire-to-Wire Plug Housing, Secondary Lock, 3 Circuits

Series Number : 35272

Status : Obsolete

Product Category : Connector Housings



Documents and Resources

Specifications

[PS-35270-001-001.pdf](#)

Product Environment Compliance

Compliance

GADSL/IMDS	Compliant
China RoHS	Not Relevant
EU ELV	Compliant per 2000/53/EC
Low-Halogen Status	Not Reviewed per IEC 61249-2-21
REACH SVHC	Not Contained per D(2025)7771-DC (04 Feb 2026)
EU RoHS	Compliant per EU 2015/863

Compliance Statements

- EU RoHS
- REACH SVHC
- Low-Halogen

Industry Documents

- IPC 1752A Class C
- IPC 1752A Class D
- Molex Product Compliance Declaration
- IEC-62474
- chemSHERPA (xml)

Substances of Interest

- PFAS

EU RoHS Certificate of Compliance

Part Details

General

Status	Obsolete
Category	Connector Housings
Series	35272
Description	6.00mm Tab Wire-to-Wire Plug Housing, Secondary Lock, 3 Circuits
Application	Power, Wire-to-Wire
Comments	Polarized to Mating Part
Product Name	N/A
UPC	800753126039

Physical

Circuits (maximum)	3
Color - Resin	Natural
Gender	Plug
Glow-Wire Capable	No
Keying to Mating Part	No
Lock to Mating Part	Yes
Material - Resin	Polyester
Net Weight	5.269/g
Number of Rows	2
Packaging Type	Bag
Panel Mount	Yes
Pitch - Mating Interface	6.00mm
Pitch - Termination Interface	9.00mm
Polarized to Mating Part	Yes
Stackable	No
Temperature Range - Operating	-40° to +80°C

Mates With / Use With

Use with Part(s)

Description	Part Number
Tab Terminals and Quick Disconnects	<u>35725</u>

This document was generated on Apr 10, 2026

Obsolete