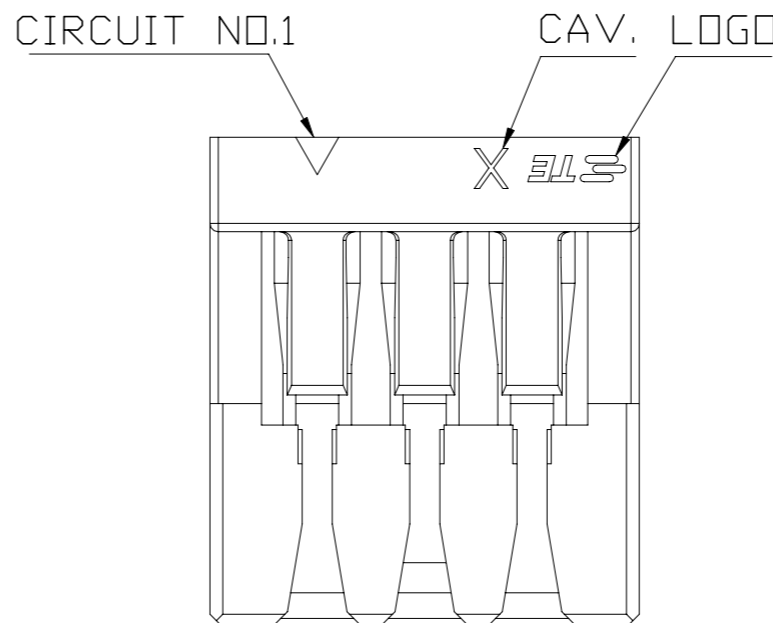
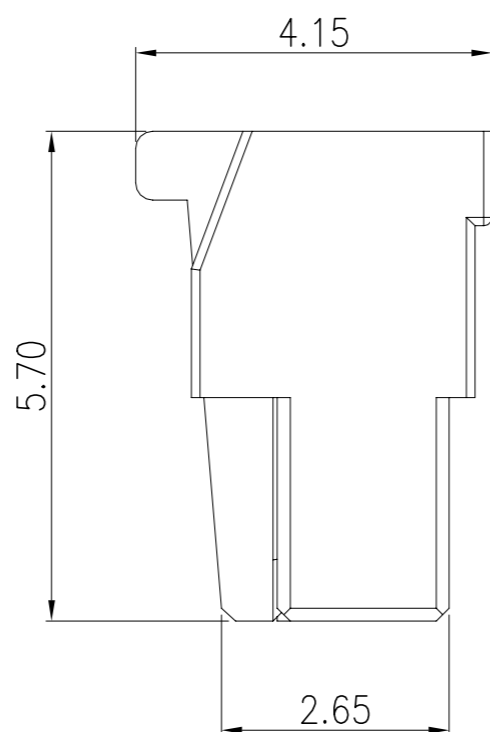
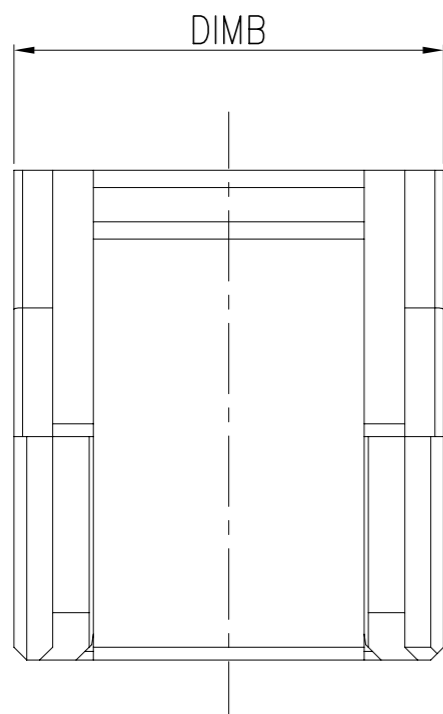
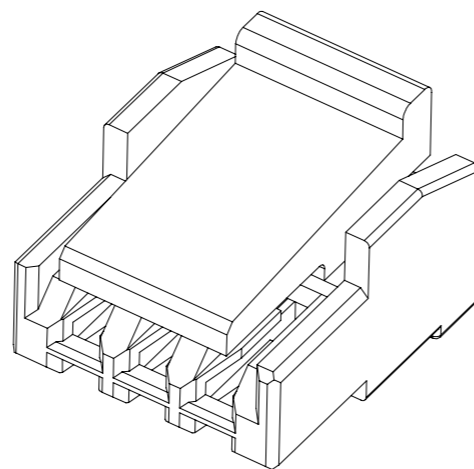
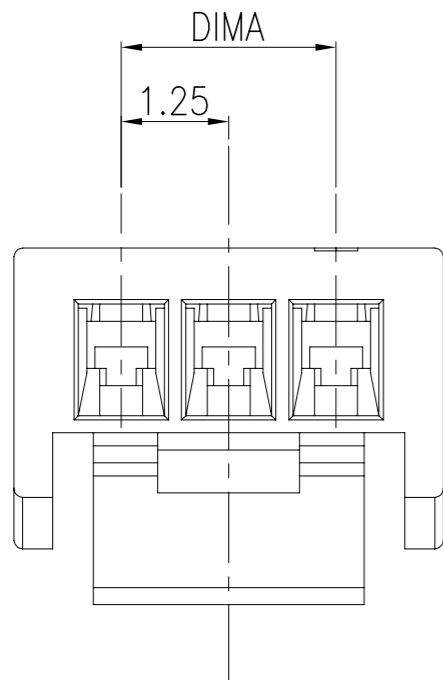


REVISIONS

| P  | LTR | DESCRIPTION   | DATE      | DWN | APVD |
|----|-----|---------------|-----------|-----|------|
| A1 |     | ECR-21-109497 | 12APR2021 | T.Q | W.H  |

- NOTES:
- MATERIAL IS HALOGEN FREE PLASTIC, HIGH TEMP, WHITE. UL 94V-0
  - TERMINAL P/N: 2390147-1.
  - MATING PARTS:  
VERTICAL TYPE: X-2390138-X  
R/A TYPE: X-2390136-X

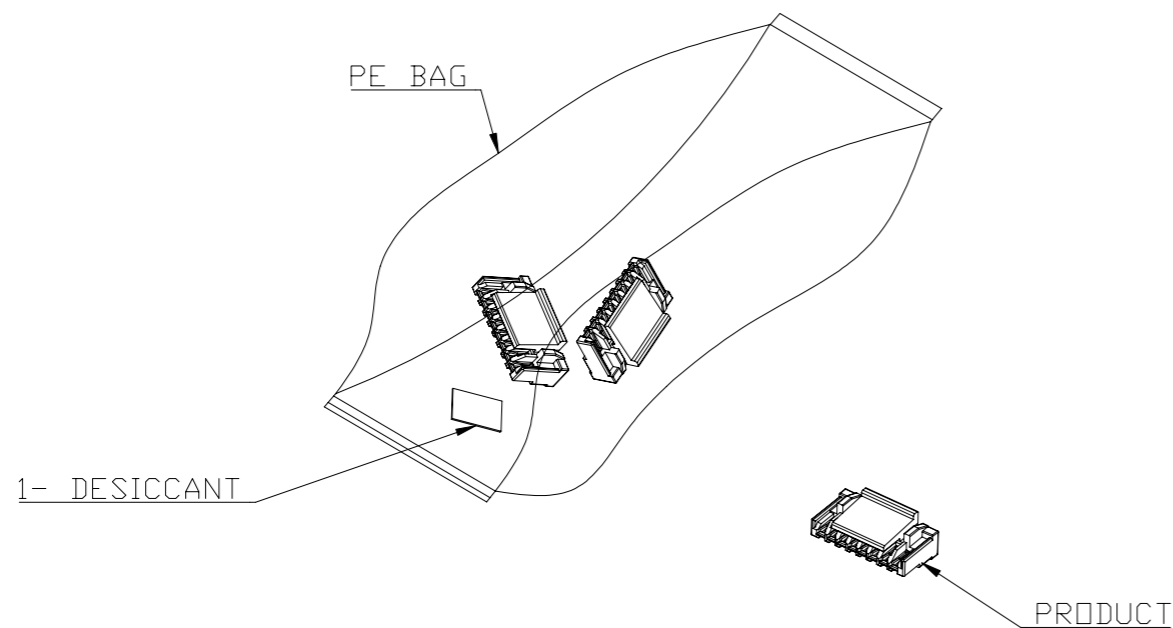


| COLOR | DIM B   | DIM A | POS   | PART NUMBER |
|-------|---------|-------|-------|-------------|
| BLACK | 20.00   | 17.50 | 15P   | 3-2390144-5 |
|       | 18.75   | 16.25 | 14P   | 3-2390144-4 |
|       | 17.50   | 15.00 | 13P   | 3-2390144-3 |
|       | 16.25   | 13.75 | 12P   | 3-2390144-2 |
|       | 15.00   | 12.50 | 11P   | 3-2390144-1 |
|       | 13.75   | 11.25 | 10P   | 3-2390144-0 |
|       | 12.50   | 10.00 | 9P    | 2-2390144-9 |
|       | 11.25   | 8.75  | 8P    | 2-2390144-8 |
|       | 10.00   | 7.50  | 7P    | 2-2390144-7 |
|       | 8.75    | 6.25  | 6P    | 2-2390144-6 |
|       | 7.50    | 5.00  | 5P    | 2-2390144-5 |
|       | 6.25    | 3.75  | 4P    | 2-2390144-4 |
|       | 5.00    | 2.50  | 3P    | 2-2390144-3 |
|       | 3.75    | 1.25  | 2P    | 2-2390144-2 |
|       | NATURAL | 20.00 | 17.50 | 15P         |
| 18.75 |         | 16.25 | 14P   | 1-2390144-4 |
| 17.50 |         | 15.00 | 13P   | 1-2390144-3 |
| 16.25 |         | 13.75 | 12P   | 1-2390144-2 |
| 15.00 |         | 12.50 | 11P   | 1-2390144-1 |
| 13.75 |         | 11.25 | 10P   | 1-2390144-0 |
| 12.50 |         | 10.00 | 9P    | 2390144-9   |
| 11.25 |         | 8.75  | 8P    | 2390144-8   |
| 10.00 |         | 7.50  | 7P    | 2390144-7   |
| 8.75  |         | 6.25  | 6P    | 2390144-6   |
| 7.50  |         | 5.00  | 5P    | 2390144-5   |
| 6.25  |         | 3.75  | 4P    | 2390144-4   |
| 5.00  |         | 2.50  | 3P    | 2390144-3   |
| 3.75  |         | 1.25  | 2P    | 2390144-2   |

|   |        |  |            |           |   |       |        |       |       |       |     |        |      |                  |  |  |      |  |  |
|---|--------|--|------------|-----------|---|-------|--------|-------|-------|-------|-----|--------|------|------------------|--|--|------|--|--|
| THIS DRAWING IS A CONTROLLED DOCUMENT.  |        | DWN                                    | Tommy Qian | 12APR2021 | <b>TE</b> TE Connectivity               |       |        |       |       |       |     |        |      |                  |  |  |      |  |  |
|   |        | CHK                                    | Niki Shi   | 12APR2021 |   |       |        |       |       |       |     |        |      |                  |  |  |      |  |  |
|   |        | APVD                                   | Niki Shi   | 12APR2021 | NAME                                    |       |        |       |       |       |     |        |      |                  |  |  |      |  |  |
| DIMENSIONS:<br>mm   |        | TOLERANCES UNLESS OTHERWISE SPECIFIED: |            |           | 1.25mm PITCH WTB Conn.<br>CABLE HOUSING |       |        |       |       |       |     |        |      |                  |  |  |      |  |  |
| <table border="1"> <tr><td>0 PLC</td><td>± 0.5</td></tr> <tr><td>1 PLC</td><td>± 0.25</td></tr> <tr><td>2 PLC</td><td>± 0.15</td></tr> <tr><td>3 PLC</td><td>± 0.1</td></tr> <tr><td>4 PLC</td><td>± -</td></tr> <tr><td>ANGLES</td><td>± 2'</td></tr> </table> |        | 0 PLC                                  | ± 0.5      | 1 PLC     | ± 0.25                                  | 2 PLC | ± 0.15 | 3 PLC | ± 0.1 | 4 PLC | ± - | ANGLES | ± 2' | APPLICATION SPEC |  |  | SIZE |  |  |
| 0 PLC   | ± 0.5  |  |            |           |   |       |        |       |       |       |     |        |      |                  |  |  |      |  |  |
| 1 PLC   | ± 0.25 |  |            |           |   |       |        |       |       |       |     |        |      |                  |  |  |      |  |  |
| 2 PLC   | ± 0.15 |  |            |           |   |       |        |       |       |       |     |        |      |                  |  |  |      |  |  |
| 3 PLC   | ± 0.1  |  |            |           |   |       |        |       |       |       |     |        |      |                  |  |  |      |  |  |
| 4 PLC   | ± -    |  |            |           |   |       |        |       |       |       |     |        |      |                  |  |  |      |  |  |
| ANGLES  | ± 2'   |  |            |           |   |       |        |       |       |       |     |        |      |                  |  |  |      |  |  |
| MATERIAL  |        | FINISH                                 |            |           | CAGE CODE                               |       |        |       |       |       |     |        |      |                  |  |  |      |  |  |
| NOTE 1  |        | NOTE 2                                 |            |           | DRAWING NO                              |       |        |       |       |       |     |        |      |                  |  |  |      |  |  |
|   |        | WEIGHT                                 |            |           | RESTRICTED TO                           |       |        |       |       |       |     |        |      |                  |  |  |      |  |  |
|   |        | CUSTOMER DRAWING                       |            |           | SCALE                                   |       |        |       |       |       |     |        |      |                  |  |  |      |  |  |
|   |        | N/A                                    |            |           | SHEET                                   |       |        |       |       |       |     |        |      |                  |  |  |      |  |  |
|   |        | A3 00779                               |            |           | REV                                     |       |        |       |       |       |     |        |      |                  |  |  |      |  |  |
|   |        | C=2390144                              |            |           | 1 of 2                                  |       |        |       |       |       |     |        |      |                  |  |  |      |  |  |
|   |        | N/A                                    |            |           | A1                                      |       |        |       |       |       |     |        |      |                  |  |  |      |  |  |

| P | LTR | DESCRIPTION | DATE | DWN | APVD |
|---|-----|-------------|------|-----|------|
| - | -   | SEE SHEET 1 | -    | -   | -    |

1. AFTER QC, PLACE THE PRODUCT INTO THE BAG AS DRAWING SHOWN



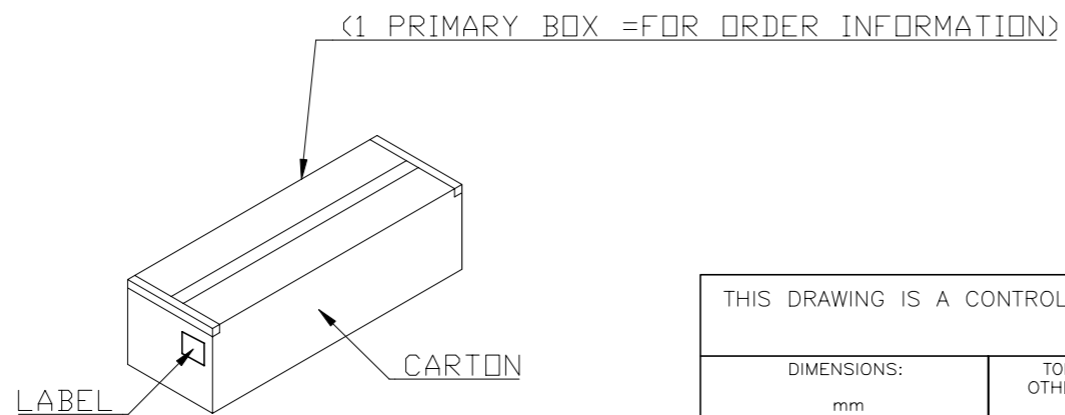
NOTES:

1. STAPLES SHOULD ONLY BE USED TO SET UP CARTON. ALL CARTON CLOSURES MUST BE DONE WITH TAPE.
2. FILL PACKAGING BAG WITH THE QUANTITIES AS INDICATED IN THE CHART.

TABLE:

| (S.P.Q) | PARTS PER BOX | PER BAG |
|---------|---------------|---------|
| 20000   | 20            | 1000    |

2. PLACE THE BAGS INTO THE BOX



|  |  |  |                 |   |  |
|--|--|--|-----------------|---|--|
| THIS DRAWING IS A CONTROLLED DOCUMENT. |  | DWN<br>Tommy Qian<br>12APR2021   | TE Connectivity |   |  |
|  |  | CHK<br>Niki Shi<br>12APR2021   |                 |   |  |
|  |  | APVD<br>Niki Shi<br>12APR2021  | NAME            |   |  |
| DIMENSIONS:<br>mm                      |  | TOLERANCES UNLESS OTHERWISE SPECIFIED:   |                 | 1.25mm PITCH WTB Conn.<br>CABLE HOUSING               |  |
|  |  | 0 PLC ± 0.5<br>1 PLC ± 0.25<br>2 PLC ± 0.15<br>3 PLC ± 0.1<br>4 PLC ± -<br>ANGLES ± 2° |                 | PRODUCT SPEC  |  |
| MATERIAL                               |  | FINISH   |                 | APPLICATION SPEC                                      |  |
| NOTE 1                                 |  | NOTE 2   |                 | WEIGHT  |  |
|  |  |  |                 | SIZE: A3<br>CAGE CODE: 00779<br>DRAWING NO: C=2390144 |  |
|  |  |  |                 | RESTRICTED TO   |  |
|  |  | CUSTOMER DRAWING   |                 | SCALE: N/A SHEET: 2 OF 2 REV: A1                      |  |