

# Panel Potentiometer

## Model P09x Series



**OBSOLETE (P098N AND P098 ONLY)**

### Features:

- Multi-ganged—up to 8 gangs
- Excellent 100,000 cycles life
- Rotary and Momentary Switch options
- Push-lock options
- Concentric shaft option
- Centre tap option



### Description:

9mm Rotary Potentiometer, with metal shaft and bushing. Options include audio and linear tapers; knurled, flatted and slotted shafts.

### Applications:

- Audio / video equipment / Amplifiers / Mixers
- TV and multimedia sound systems / Portable electronics

### Model Styles Available:

- Side Adjust, 1 to 8 gangs P09xN
- Side Adjust, 1 to 4 gangs, w/Rotary switch P09xS
- Side Adjust, 1 to 4 gangs, w/Momentary switch P09xM
- Top Adjust, 1 or 2 gangs P09x5N
- Side Adjust, with Push-Lock, 1 or 2 gangs P09xP
- With Concentric shaft, 2 to 4 gangs P09xC
- With Centre Tap, 2 gangs only P09xT

## Electrical Characteristics

$T_A = 25^\circ\text{C}$  unless otherwise noted

Resistance Range	1K $\Omega$ to 1M $\Omega$
Standard Resistance Tolerance	$\pm 20\%$
Residual Resistance	20 ohms max
Resistance Taper	Audio (10A, 15A, 15C), Linear (1B) - see note 3
Maximum Operating Voltage	50Vac
Rated Power	Linear Taper B: 0.05W Other Tapers: 0.025W
Dielectric Strength	300 Vac , 1 minute
Rotational Noise	100mV max
Insulation Resistance	>100M ohms at 250 Vdc
Gang Error (Multi-ganged)	-40dB to 0dB, $\pm 3\text{dB}$

### General Note

TT Electronics reserves the right to make changes in product specification without notice or liability. All information is subject to TT Electronics' own data and is considered accurate at time of going to print.

TT Electronics | BI Technologies  
Circulo de la Amistad #102 PIMSA IV Mexicali B.C. Mexico C.P 21210  
Ph: + 1 (714) 447-2345  
www.ttelectronics.com

# Panel Potentiometer

Model P09x Series



**OBSOLETE (P098N AND P098 ONLY)**

## Switch Characteristics

T<sub>A</sub> = 25°C unless otherwise noted

Switch Circuit	SPST
Contact Resistance	<100mohms
Rated Power	3.0A at 16Vdc
Switch Life	15,000 cycles min.

## Mechanical Characteristics

T<sub>A</sub> = 25°C unless otherwise noted

Mechanical Travel (Rotational angle)	300° ± 10°
Rotational Torque	35 to 90 gf.cm
Rotational Stop Strength, Minimum	3.0kgf.cm
Shaft Pull Strength, Minimum	6.0 kgf
Detent Torque	50 to 200 gf.cm
Nut Tightening Strength, Minimum	8.0 kgf
Rotational Life	100,000 cycles

## Environmental Characteristics

T<sub>A</sub> = 25°C unless otherwise noted

Operating Temperature	-10°C to 70°C
IP Rating	IP50
Soldering Condition	Compatible with Industry standard soldering processes: Manual: SAC 270 °C max. for 3 seconds. Wave: SAC 260 °C max. for 5 seconds.
RoHS	<a href="#">Please refer to TT Electronics Website</a>
REACH	<a href="#">Please refer to TT Electronics Website</a>

General Note  
TT Electronics reserves the right to make changes in product specification without notice or liability. All information is subject to TT Electronics' own data and is considered accurate at time of going to print.

TT Electronics | BI Technologies  
Circulo de la Amistad #102 PIMSA IV Mexicali B.C. Mexico C.P 21210  
Ph: + 1 (714) 447-2345  
[www.ttelectronics.com](http://www.ttelectronics.com)

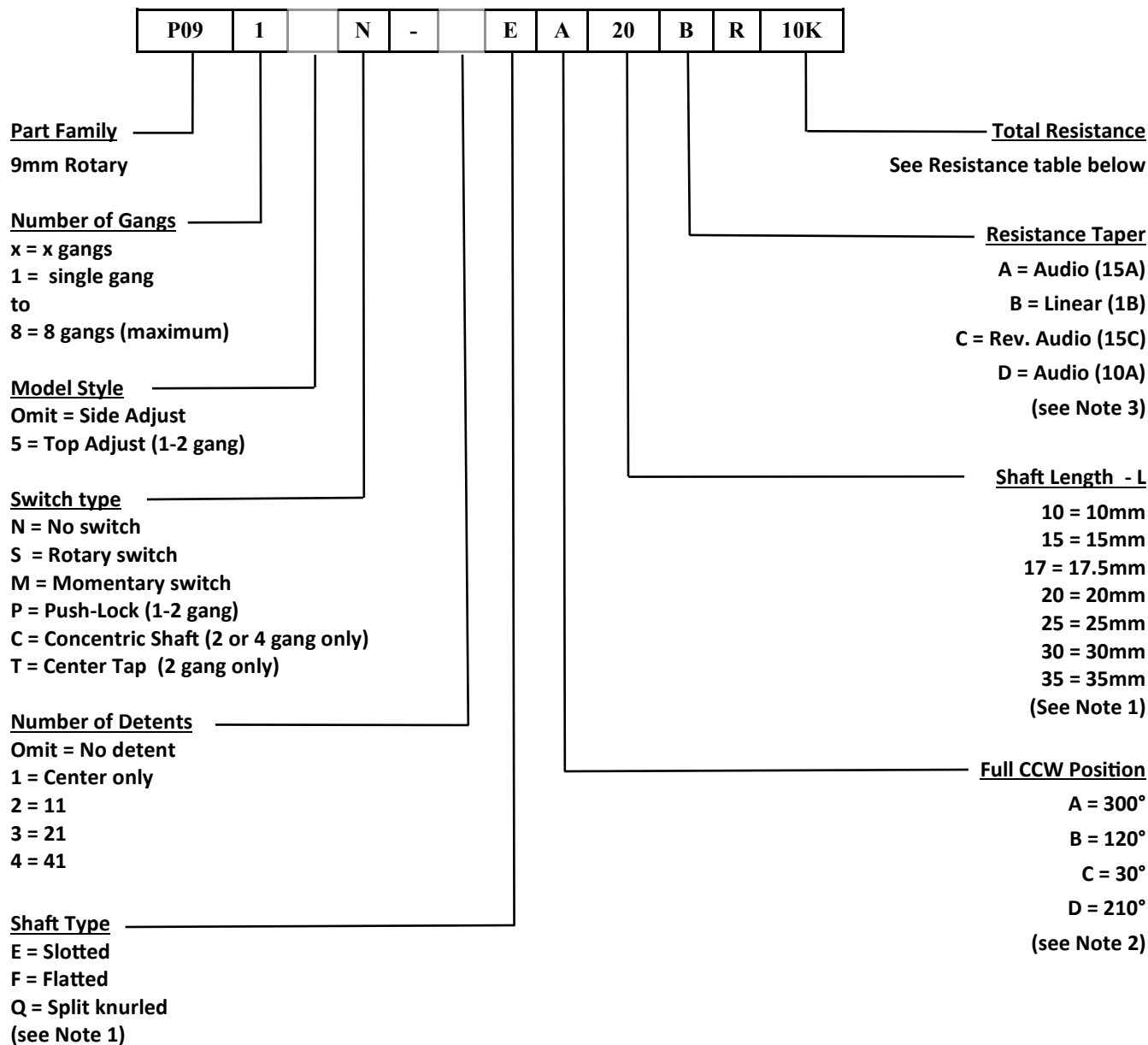
# Panel Potentiometer

Model P09x Series



**OBSOLETE (P098N AND P098 ONLY)**

## Ordering Information



Resistance table										
Resistance (Ohms)	1,000	2,000	5,000	10,000	20,000	50,000	100,000	200,000	500,000	1,000,000
Code	1K	2K	5K	10K	20K	50K	100K	200K	500K	1MEG

General Note  
TT Electronics reserves the right to make changes in product specification without notice or liability. All information is subject to TT Electronics' own data and is considered accurate at time of going to print.

TT Electronics | BI Technologies  
Circulo de la Amistad #102 PIMSA IV Mexicali B.C. Mexico C.P 21210  
Ph: + 1 (714) 447-2345  
www.ttelectronics.com

# Panel Potentiometer

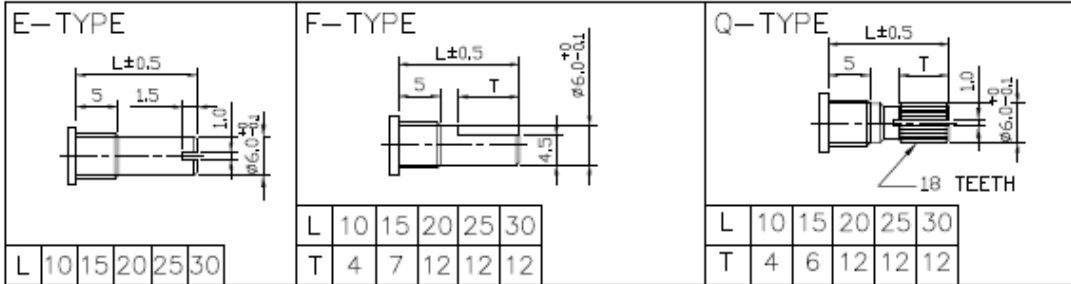
Model P09x Series

**OBSOLETE (P098N AND P098 ONLY)**

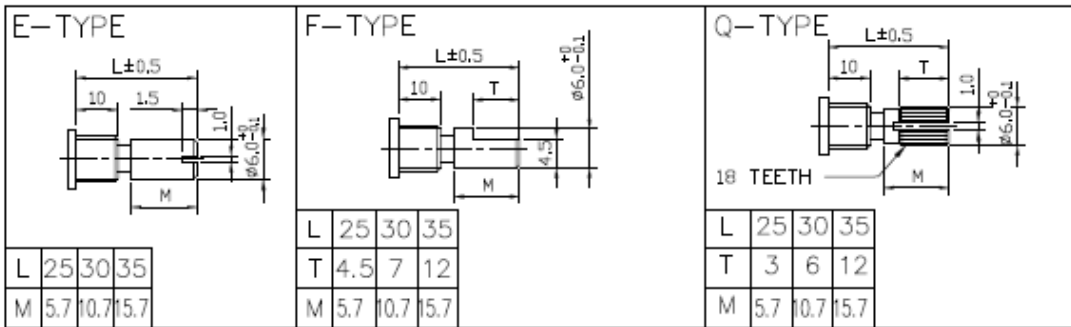


## Note 1: Shaft type and Length

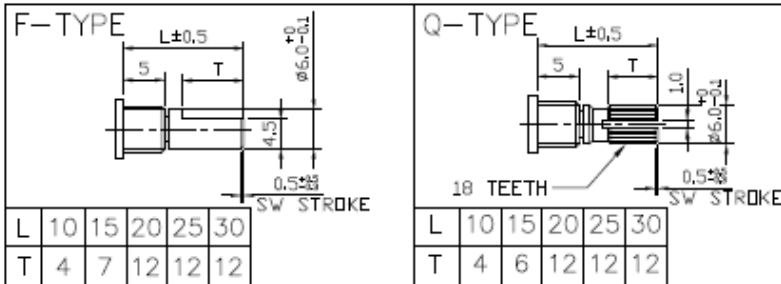
### Shaft Types: P09xN, P09xS, P09x5N, P09xT



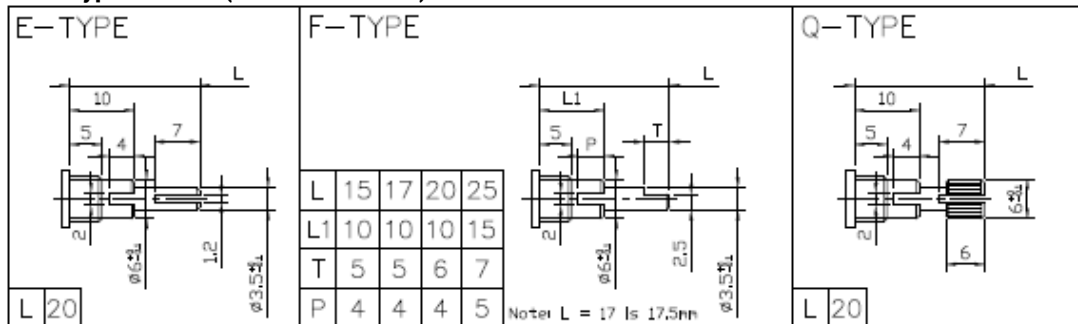
### Shaft Types: P09xP (Push-Lock)



### Shaft Types: P09xM (Momentary Switch)



### Shaft Types: P09xC (Concentric Shafts)



General Note  
 TT Electronics reserves the right to make changes in product specification without notice or liability. All information is subject to TT Electronics' own data and is considered accurate at time of going to print.

TT Electronics | BI Technologies  
 Circulo de la Amistad #102 PIMSA IV Mexicali B.C. Mexico C.P 21210  
 Ph: + 1 (714) 447-2345  
 www.ttelectronics.com

# Panel Potentiometer

Model P09x Series

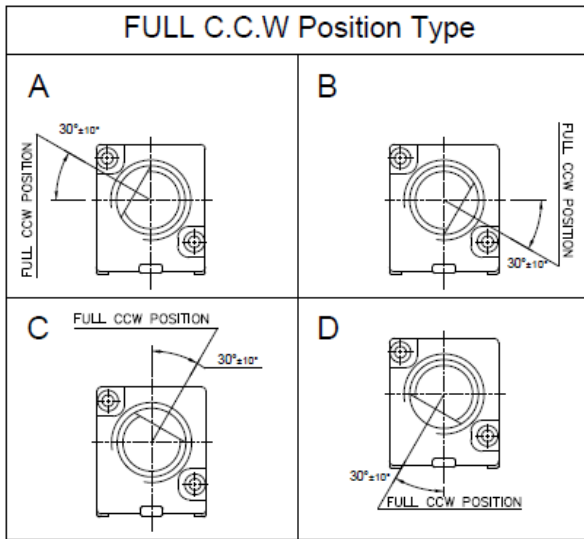


**OBSOLETE (P098N AND P098 ONLY)**

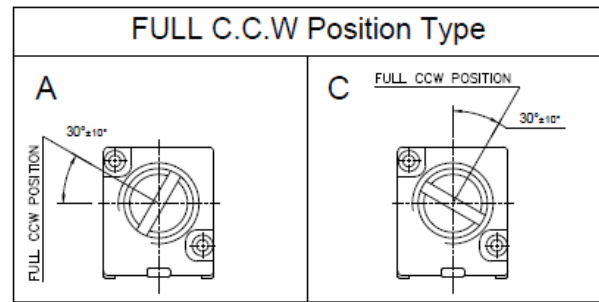
## Note 2: Shaft Position

Models: P09xN, P09xS, P09xM, P09x5N, P09xP, P09xT

### F Shaft Type

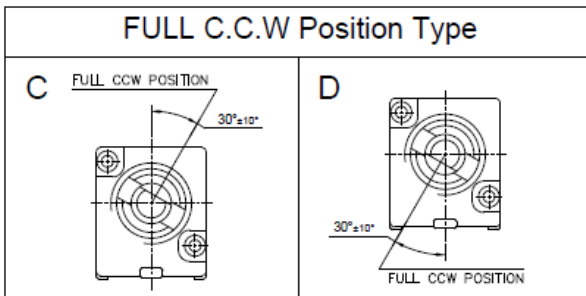


### E /Q Shaft Type

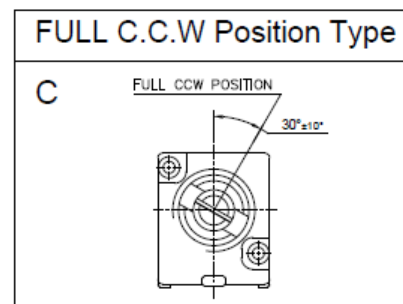


Models: P09xC

### F Shaft Type



### E /Q Shaft Type



#### General Note

TT Electronics reserves the right to make changes in product specification without notice or liability. All information is subject to TT Electronics' own data and is considered accurate at time of going to print.

TT Electronics | BI Technologies  
Circulo de la Amistad #102 PIMSA IV Mexicali B.C. Mexico C.P 21210  
Ph: + 1 (714) 447-2345  
www.ttelectronics.com

# Panel Potentiometer

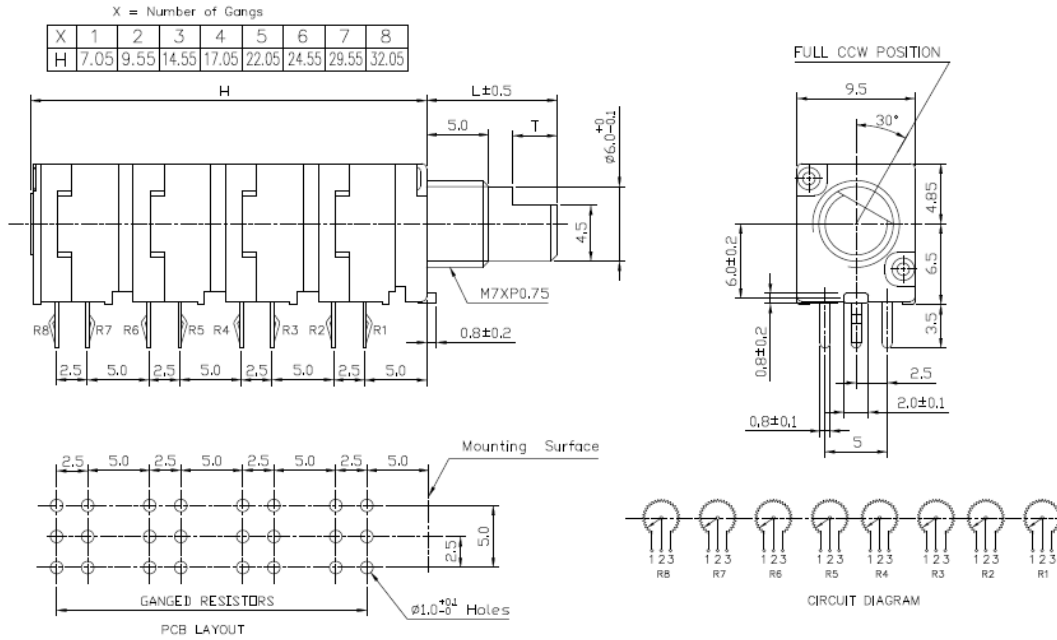
## Model P09x Series

**OBSOLETE (P098N AND P098 ONLY)**

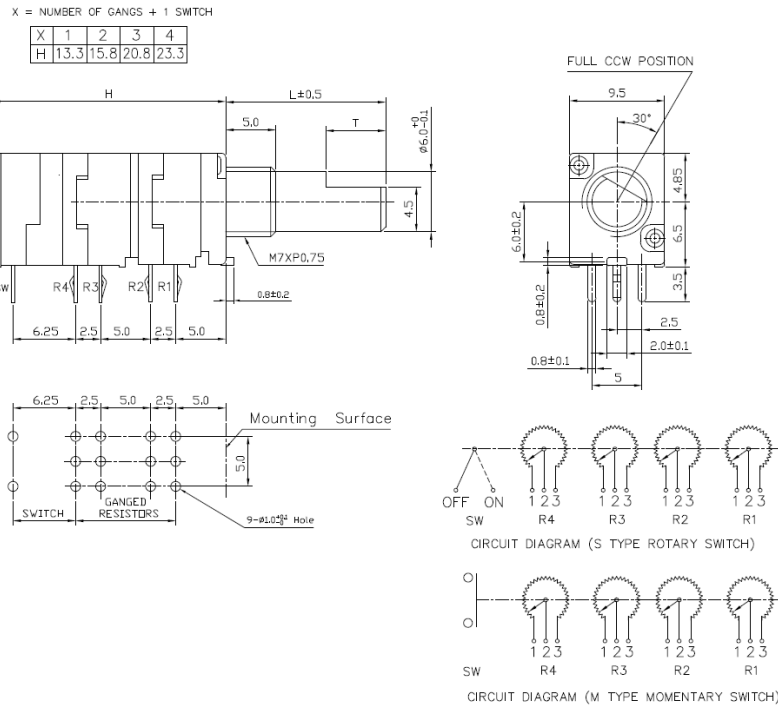


### Outline Drawings

#### Model P09xN (Side Adjust, PCB pins, up to 8 gangs)



#### Model P09xS and P09xM (Side Adjust, PCB pins, up to 4 gangs with Switch)



General Note  
TT Electronics reserves the right to make changes in product specification without notice or liability. All information is subject to TT Electronics' own data and is considered accurate at time of going to print.

TT Electronics | BI Technologies  
Circulo de la Amistad #102 PIMSA IV Mexicali B.C. Mexico C.P 21210  
Ph: + 1 (714) 447-2345  
www.ttelectronics.com

# Panel Potentiometer

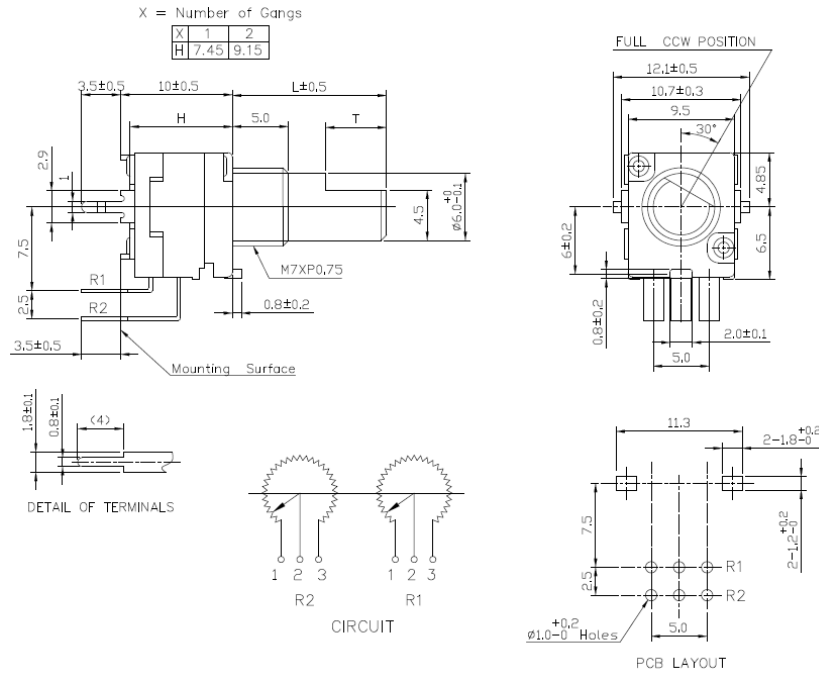
## Model P09x Series

**OBSOLETE (P098N AND P098 ONLY)**

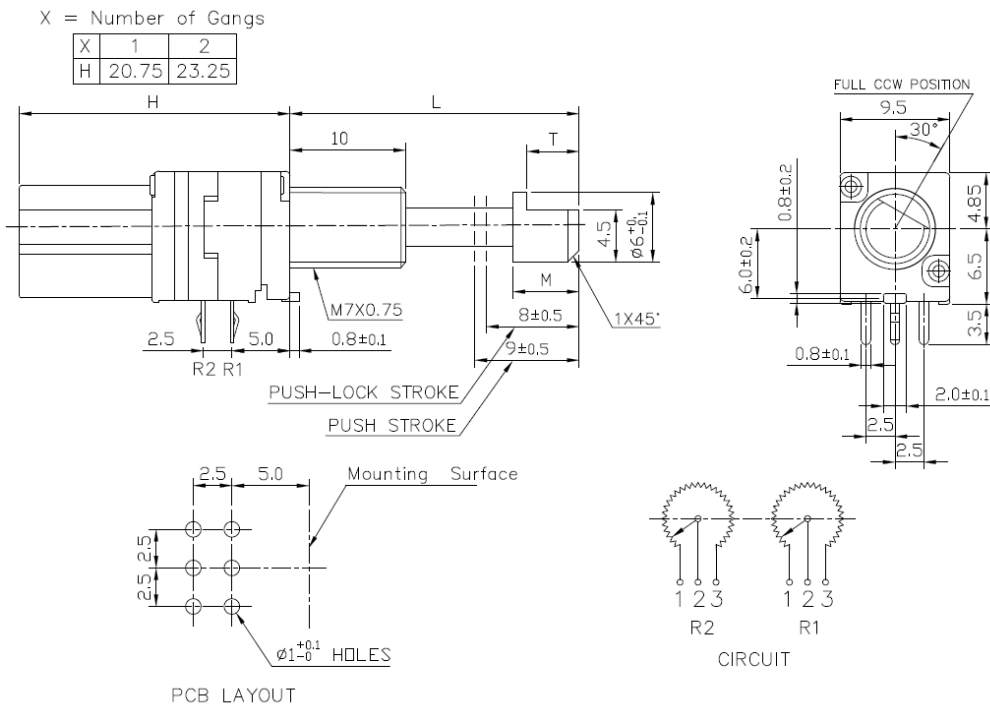


### Outline Drawings

#### Model P09x5N (Top Adjust, PCB pins, up to 2 gangs)



#### Model P09xP (Side Adjust, PCB pins, with Push-Lock, up to 2 gangs)



#### General Note

TT Electronics reserves the right to make changes in product specification without notice or liability. All information is subject to TT Electronics' own data and is considered accurate at time of going to print.

TT Electronics | BI Technologies  
 Circulo de la Amistad #102 PIMSA IV Mexicali B.C. Mexico C.P 21210  
 Ph: + 1 (714) 447-2345  
 www.ttelectronics.com



# Panel Potentiometer

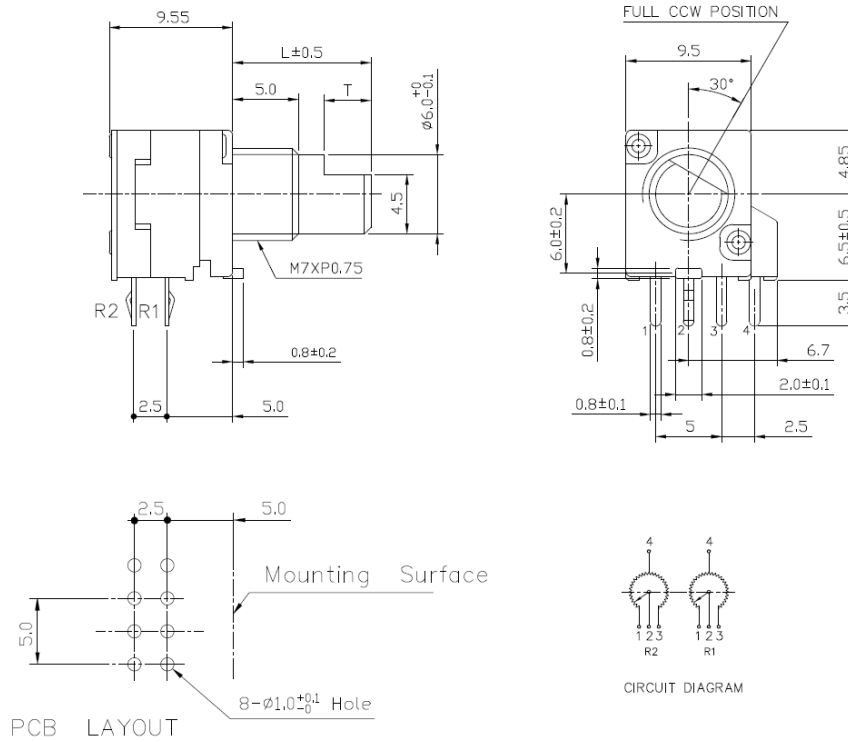
Model P09x Series



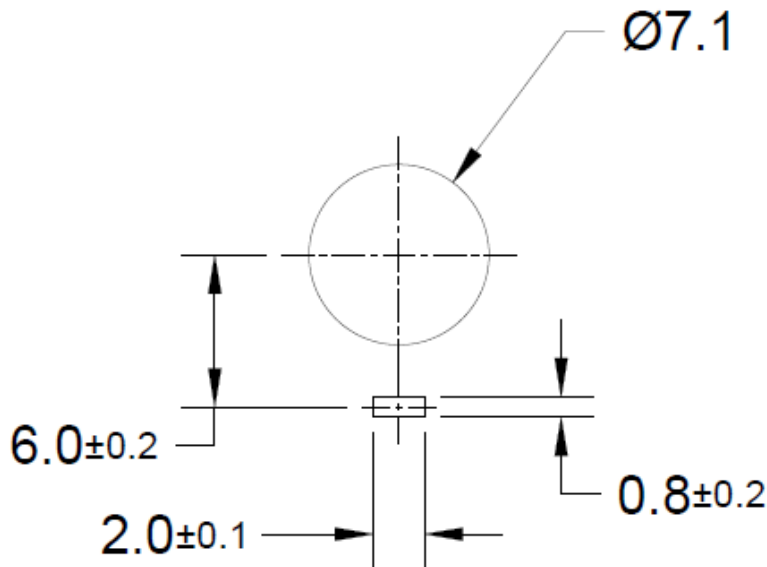
**OBSOLETE (P098N AND P098 ONLY)**

## Outline Drawings

Model P09xT (Side Adjust, PCB pins, with Center Tap, 2 gangs only)



## Panel Layout



General Note  
TT Electronics reserves the right to make changes in product specification without notice or liability. All information is subject to TT Electronics' own data and is considered accurate at time of going to print.

TT Electronics | BI Technologies  
Circulo de la Amistad #102 PIMSA IV Mexicali B.C. Mexico C.P 21210  
Ph: + 1 (714) 447-2345  
www.ttelectronics.com

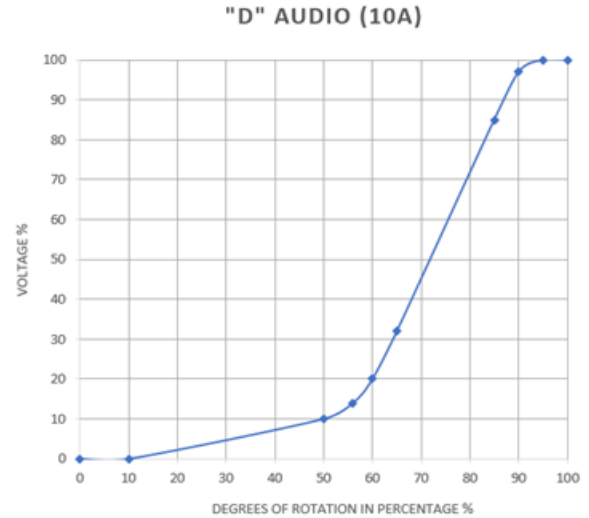
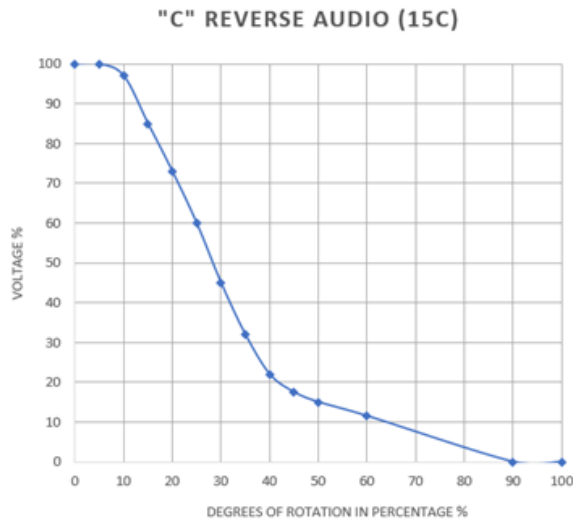
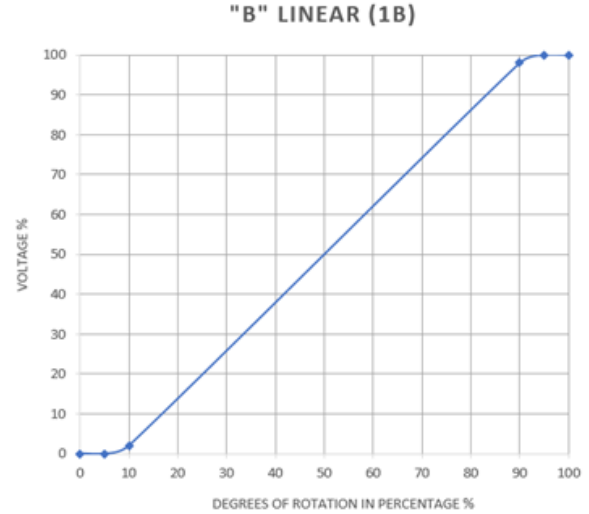
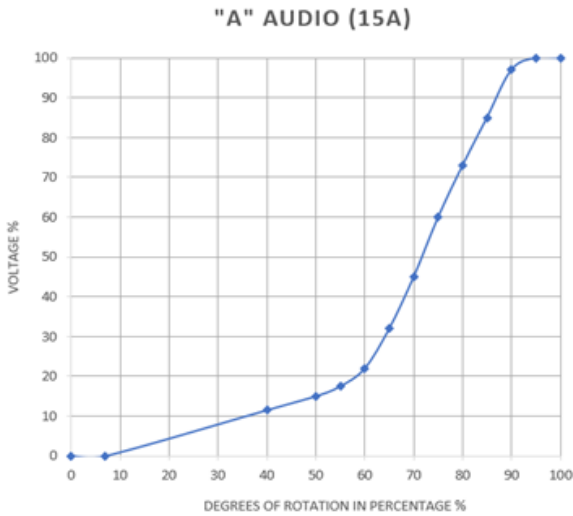
# Panel Potentiometer

Model P09x Series



**OBSOLETE (P098N AND P098 ONLY)**

## Note 3: Standard Tapers



## Packaging

Standard Packaging	Plastic Trays
Hardware	Two flat washers and mounting nut

General Note  
 TT Electronics reserves the right to make changes in product specification without notice or liability. All information is subject to TT Electronics' own data and is considered accurate at time of going to print.

TT Electronics | BI Technologies  
 Circulo de la Amistad #102 PIMSA IV Mexicali B.C. Mexico C.P 21210  
 Ph: + 1 (714) 447-2345  
 www.ttelectronics.com