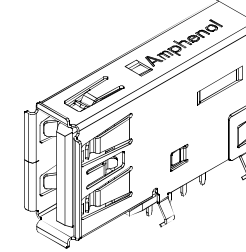
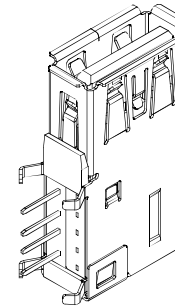
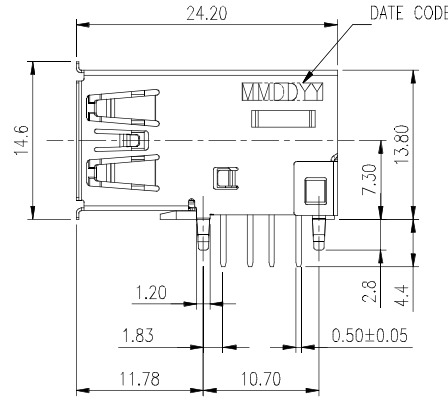
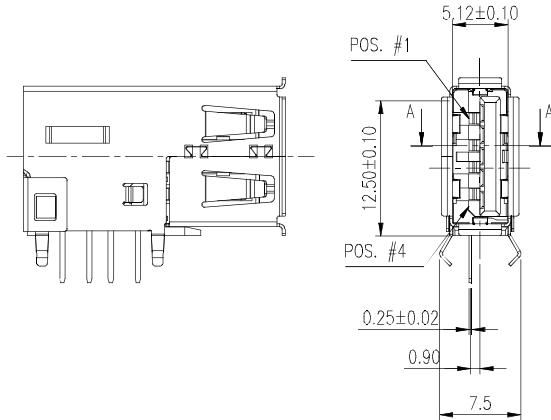
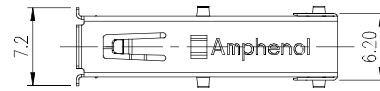


This document is the property of Amphenol Corporation and is delivered on the express condition that it is not to be disclosed, reproduced or used, in whole or in part, for manufacture or sale by anyone other than Amphenol Corporation without its prior consent, and that no right is granted to disclose or to use any information in this document.

The marking on this product doesn't contain environmental hazardous material and must follow one or more specifications per Material Specification SS-00259 for Sony GP compliant or per directive 2011/65/EC for RoHS compliant or per IEC 61249-2-21 for Halogen Free compliant.

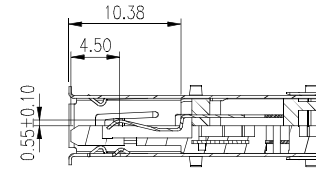
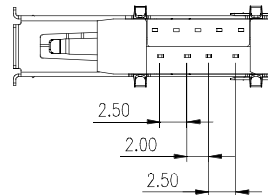
ORIGINAL

REVISIONS				
SYM	ECN No.	DESCRIPTION	DATE	BY
A	NE-15042	RELEASE TO PRODUCT	04/09/2015	Sondra Sang

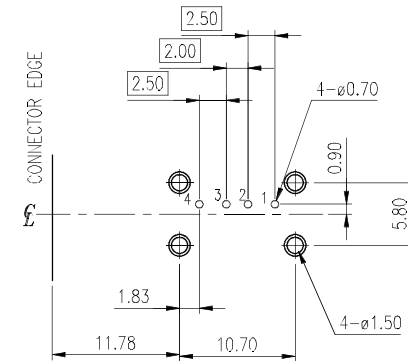


PIN #	SIGNAL NAME
1	VBUS
2	D-
3	D+
4	GND
SHELL	SHIELD

PIN ASSIGNMENT



A-A SECTION



RECOMMENDED PCB LAYOUT - TOP VIEW
(OTHER GENERAL TOLERANCES: ±0.05)

PART NUMBER:
GSB1 91 2 3 6 FHR

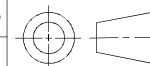
CONTACT FINISH
2: 30µ" GOLD
SOLDER TAIL LENGTH
6. DIM. L=4.40 mm (PA4T)

PLASTIC COLOR
1: NYLON, BLACK
3: NYLON, BLUE

NOTES:

- HOUSING: HIGH TEMPERATURE THERMOPLASTIC, UL 94V-0, COLOR- BLUE OR BLACK
- CONTACT: COPPER ALLOY, 0.25mm THICKNESS, 30µ" MIN. GOLD PLATED ON CONTACT AREA, 120µ" MIN. MATTE TIN PLATED ON SOLDERING TAIL, 80µ" MIN. NICKEL UNDER-PLATED OVERALL
- METAL SHELL: STAINLESS STEEL, 0.25mm THICKNESS, 30µ" MIN. NICKEL UNDER-PLATED OVERALL
- REAR SHELL: STAINLESS STEEL, 0.25mm THICKNESS
- THIS PRODUCT DOESN'T CONTAIN ENVIRONMENTAL HAZARDOUS MATERIALS PER DIRECTIVE 2011/65/EC FOR RoHS AND PER IEC 61249-2-21 FOR HALOGEN FREE COMPLIANT.

TOLERANCE	APPROVALS	DATE	TITLE			USB 2.0 CONNECTOR STANDARD A, UPRIGHT DIP TYPE			Amphenol® Amphenol Corporation Amphenol Taiwan Corporation			
X. X.X X.XX X.XXX	DRAWN Sondra Sang	4/9/2015	UNIT mm	SIZE A3	PART No. GSB1 912 X6 FHR	SCALE NA	SHEET 1 OF 1	DWG No. GSB1912X6FHR	REV. A			
±0.30 ±0.20 ±0.10	CHECKED Chenny Yeh	4/9/2015										
ANGULAR ±1°	APPROVED Hank Hsu	4/9/2015										
UNLESS OTHERWISE SPECIFIED	DWG TYPE CUST DWG	PROJECT CODE T536										



UNIT mm
SCALE NA

SIZE A3

SHEET 1 OF 1

PART No. GSB1 912 X6 FHR
DWG No. GSB1912X6FHR

REV. A