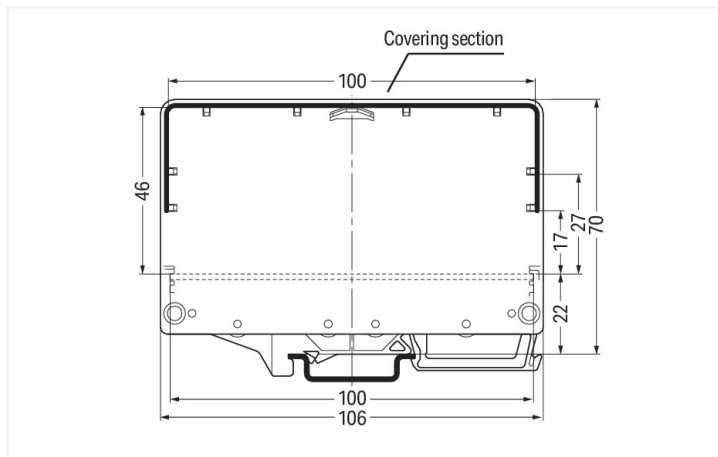


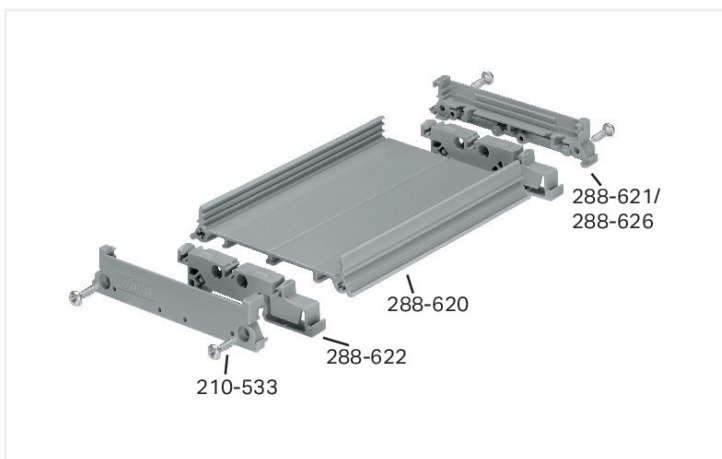
**Data Sheet | Item Number: 288-626**  
 Lateral cover; Size 2; large; 8.75 mm thick; gray  
<https://www.wago.com/288-626>



Color: ■ gray

Similar to illustration

Dimensions in mm



DIN-rail-mount PCB carrier, size 2

DIN-rail mount PCB carrier, size 2 with cover – lateral cover, size 2; large; 8.75 mm thick

**Physical data**

Width	8.75 mm / 0.344 inches
Height	106 mm / 4.173 inches

**Mechanical data**

Mounting type	DIN-35 rail
---------------	-------------



**Material data**

Color	gray
-------	------

**Commercial data**

Product Group	6 (INTERFACE ELECTRONIC)
PU (SPU)	25 (1) pcs
Packaging type	Box
Country of origin	DE
GTIN	4017332649865
Customs tariff number	39269097900

**Product Classification**

UNSPSC	39121702
eCl@ss 10.0	27-18-27-02
eCl@ss 9.0	27-18-27-02
ETIM 9.0	EC001031
ETIM 10.0	EC001031
ECCN	NO US CLASSIFICATION

**Environmental Product Compliance**

RoHS Compliance Status	Compliant, No Exemption
------------------------	-------------------------

**Downloads**

**Environmental Product Compliance**

<b>Compliance Search</b>	
Environmental Product Compliance 288-626	↓

**CAD/CAE-Data**

<b>CAD data</b>	
2D/3D Models 288-626	↓

<b>CAE data</b>	
WSCAD Universe 288-626	↓
ZUKEN Portal 288-626	↓

## 1 Compatible Products

### 1.1 Optional Accessories

#### 1.1.1 Installation

##### 1.1.1.1 Mounting accessories



[Item No.: 210-533](#)

Phillips screw 2.9 x 13

##### 1.1.1.2 Mounting carrier and mounting feet



[Item No.: 288-627](#)

Cover; Size 2; 1 m long; transparent



[Item No.: 288-620](#)

Track section; Size 2; 1 m long; gray



[Item No.: 288-620/024-000](#)

Track section; Size 2; gray