

Features

- Tight tolerance
- Wide resistance range
- Four package sizes available
- Sulfur-resistant
- RoHS compliant*
- AEC-Q200 compliant

Applications

- Automotive
- Precision circuits
- DDR memory modules
- SD cards
- Automation equipment
- Navigation equipment

CRT-A Series – Thin Film Precision Chip Resistors

Electrical Characteristics

Characteristic	Model No.			
	CRT0402A	CRT0603A	CRT0805A	CRT1206A
Power Rating @ 70 °C	1/16 W	1/10 W	1/8 W	1/4 W
Operating Temp. Range	-55 °C to +155 °C			
Derated to Zero Load @	+155 °C			
Max. Working Voltage	50 V	75 V	150 V	200 V
Max. Overload Voltage	100 V	150 V	300 V	400 V
Resistance Range (E-96 + E-24 Values)	(See Standard Values table)			
Temperature Coefficient of Resistance (TCR)	10 to 50 PPM/°C (See Value - TCR Table on Page 2)			

Additional Information

Click these links for more information:



How to Order

CRT 0603 A CW - 1003 E LF

Model _____
 CRT = Thin Film Precision Chip Resistor

Size _____
 0402
 0603
 0805
 1206

Compliance _____
 A = AEC-Q200 Compliant

Resistance Tolerance _____
 F = ±1 % B = ±0.1 %
 D = ±0.5 % C = ±0.25 %

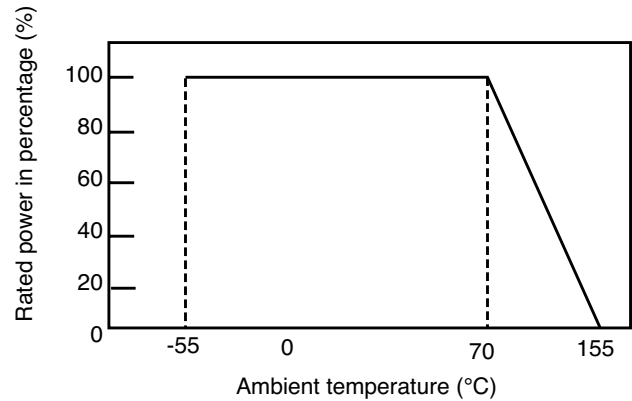
TCR (PPM/°C) _____
 Z = ±50
 Y = ±25
 X = ±15
 W = ±10

Resistance Value _____
 <100 ohms: "R" represents decimal point
 (example: 24R3 = 24.3 ohms)
 ≥100 ohms: First three digits are significant, fourth digit
 represents number of zeroes to follow
 (example: 8252 = 82.5K ohms)

Packaging _____
 G = Paper tape (10K pcs.) on 7" plastic reel (CRT0402A)
 E = Paper tape (5K pcs.) on 7" plastic reel (CRT0603A, CRT0805A,
 CRT1206A)

Termination _____
 LF = Tin-plated (RoHS Compliant)

Derating Curve



BOURNS®

Americas: Tel: +1 951-781-5500 • Email: americus@bourns.com

Mexico: Tel: +52-614-478-0400 • Email: mexicus@bourns.com

Asia: Tel: +886-2-2562-4117 • Email: asiacus@bourns.com

EMEA: Tel: +36 88 885 877 • Email: euocus@bourns.com

www.bourns.com



WARNING
Cancer and Reproductive Harm
www.P65Warnings.ca.gov

*RoHS Directive 2015/863, Mar 31, 2015 and Annex.

Specifications are subject to change without notice. Users should verify actual device performance in their specific applications. The products described herein and this document are subject to specific legal disclaimers as set forth on the last page of this document, and at www.bourns.com/docs/legal/disclaimer.pdf.

CRT-A Series – Thin Film Precision Chip Resistors

BOURNS®

Environmental Characteristics

Specification	Reference Standard	Condition of Test	Test Limits
Flowers of Sulfur Corrosion (FoS)	ASTM-B-809-95 (modified)	Sulfur 1000 hrs., 105 °C, unpowered	±(1 % + 0.05 Ω)
Temperature Coefficient of Resistance	IEC 60115-1-4.8 JIS C5201-1-4.8	+25 to +125 °C	Refer 5.0
Short Time Overload	IEC 60115-1-4.13 JIS C5201-1-4.13	2.5 X rated voltage for 5 sec.	±(0.05 % + 0.05 Ω)
High Temperature Exposure (Storage)	AEC-Q200-REV D - Test 3 MIL-STD-202 Method 108	1000 hrs. @ T = 125 °C, unpowered 1000 hrs. @ T = 155 °C, unpowered	±(0.1 % + 0.05 Ω) ±(0.2 % + 0.05 Ω)
Temperature Cycling	JESD22 Method JA-104	-55 °C (30 min.) / +125 °C (30 min.) 1000 cycles, 1 min. max. transition time	±(0.1 % + 0.05 Ω)
Moisture Resistance	AEC-Q200-REV D - Test 6 MIL-STD-202 Method 106	T = 24 hrs. / cycle, 10 cycles, unpowered	±(0.1 % + 0.05 Ω)
Biased Humidity	MIL-STD-202 Method 103	1000 hrs. @ 85 °C / 85 % R.H. 10 % rated power	±(0.1 % + 0.05 Ω)
High Temperature Operational Life	MIL-STD-202 Method 108	1000 hrs. @ T = 70 °C, rated power	±(0.1 % + 0.05 Ω) ±(0.3 % + 0.05 Ω)
Resistance to Solvent	AEC-Q200-REV D - Test 12 MIL-STD-202 Method 215	a: Isopropyl alcohol : mineral spirits = 1:3 b: Terpene defluxer (Bioact EC-7R) c: Deionized water : propylene glycol monomethyl ether : monoethanolamine = 42:1:1	Marking and protective layer can't be detached
Mechanical Shock	AEC-Q200-REV D - Test 13 MIL-STD-202 Method 213	Wave form: tolerance for half sine shock pulse. Peak value is 100 g. Normal duration (D) is 6 (ms).	±(0.1 % + 0.05 Ω)
Vibration	AEC-Q200-REV D - Test 14 MIL-STD-202 Method 204	5 g for 20 min., 12 cycles each of 3 orientations. Note: Test from 10-2000 Hz.	±(0.1 % + 0.05 Ω)
Resistance to Solder Heat	AEC-Q200-REV D - Test 15 MIL-STD-202 Method 210	250 ±5 °C solder, 30 ±5 sec. dwell	±(0.05 % + 0.05 Ω)
Thermal Shock	AEC-Q200-REV D - Test 16 MIL-STD-202 Method 107	-55 °C (15 min.) / +155 °C (15 min.) 1000 cycles, max. transfer time of 20 sec., air-air	±(0.1 % + 0.05 Ω)
ESD	AEC-Q200-REV D - Test 17	Human body model 0402/0603: 200 V 0805/1206: 1 kV	±(0.5 % + 0.05 Ω)
Solderability	IEC 60115-1-4.17 JIS C5201-1-4.17	Aging 4 hours at 155 °C dry heat Lead-free solder bath at: 1. Method B1: 245 ±5 °C solder, 5 ± 0.5 sec. dwell 2. Method D: 260 ±5 °C solder, 30 ± 0.5 sec. dwell	At least 95 % of surface area of electrode shall be covered with new solder.
Flammability	AEC-Q200-REV D - Test 20 UL-94	V-0 or V-1 are acceptable. Electrical test not required.	V-0 or V-1
Board Flex (Bending)	AEC-Q200-005	3 mm deflection for 60 sec.	±(0.1 % + 0.05 Ω)
Terminal Strength (SMD)	AEC-Q200-REV D - Test 22	04: 1.0 kg for 60 sec. 06/10/12: 1.8 kg for 60 sec.	No broken terminals

Specifications are subject to change without notice.

Users should verify actual device performance in their specific applications.

The products described herein and this document are subject to specific legal disclaimers as set forth on the last page of this document, and at www.bourns.com/docs/legal/disclaimer.pdf.

CRT-A Series – Thin Film Precision Chip Resistors

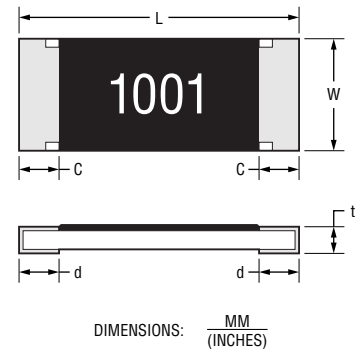
BOURNS®

Value - TCR Table

Model	TCR		Resistance Range			
	(PPM/°C)	(Code)	±0.1 % (B)	±0.25 % (C)	±0.5 % (D)	±1 % (F)
CRT0402A	±10	(W)	10 Ω to 100K Ω			
	±15	(X)				
	±25	(Y)				
	±50	(Z)				
CRT0603A	±10	(W)	10 Ω to 511K Ω			
	±15	(X)				
	±25	(Y)				
	±50	(Z)				
CRT0805A	±10	(W)	10 Ω to 800K Ω			
	±15	(X)				
	±25	(Y)				
	±50	(Z)				
CRT1206A	±10	(W)	10 Ω to 1M Ω			
	±15	(X)				
	±25	(Y)				
	±50	(Z)				

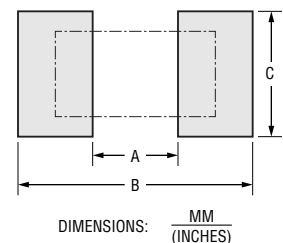
Chip Dimensions

Dimension	CRT0402A	CRT0603A	CRT0805A	CRT1206A
L	$\frac{1.00 \pm 0.10}{(.040 \pm .004)}$	$\frac{1.60 \pm 0.10}{(.063 \pm .004)}$	$\frac{2.00 \pm 0.10}{(.079 \pm .004)}$	$\frac{3.20 \pm 0.15}{(.126 \pm .006)}$
W	$\frac{0.50 \pm 0.05}{(.020 \pm .002)}$	$\frac{0.80 \pm 0.10}{(.031 \pm .004)}$	$\frac{1.25 \pm 0.10}{(.049 \pm .004)}$	$\frac{1.55 \pm 0.15}{(.061 \pm .006)}$
t	$\frac{0.35 \pm 0.10}{(.014 \pm .004)}$	$\frac{0.45 \pm 0.10}{(.018 \pm .004)}$	$\frac{0.50 \pm 0.15}{(.020 \pm .006)}$	$\frac{0.55 \pm 0.15}{(.022 \pm .006)}$
c	$\frac{0.20 \pm 0.10}{(.008 \pm .004)}$	$\frac{0.30 \pm 0.20}{(.012 \pm .008)}$	$\frac{0.40 \pm 0.20}{(.016 \pm .008)}$	$\frac{0.50 \pm 0.30}{(.020 \pm .012)}$
d	$\frac{0.25 \pm 0.10}{(.010 \pm .004)}$	$\frac{0.30 +0.20/-0.10}{(.012 +.008/- .004)}$	$\frac{0.40 \pm 0.20}{(.016 \pm .008)}$	$\frac{0.40 \pm 0.20}{(.016 \pm .008)}$



Recommended Land Pattern

Dimension	CRT0402A	CRT0603A	CRT0805A	CRT1206A
A	$\frac{0.50 \sim 0.60}{(.020 \sim .024)}$	$\frac{0.70 \sim 0.90}{(.028 \sim .035)}$	$\frac{1.00 \sim 1.40}{(.039 \sim .055)}$	$\frac{2.00 \sim 2.40}{(.079 \sim .094)}$
B	$\frac{1.40 \sim 1.60}{(.055 \sim .063)}$	$\frac{2.00 \sim 2.20}{(.079 \sim .087)}$	$\frac{3.20 \sim 3.80}{(.126 \sim .150)}$	$\frac{4.40 \sim 5.00}{(.173 \sim .197)}$
C	$\frac{0.50 \sim 0.60}{(.020 \sim .024)}$	$\frac{0.90 \sim 1.00}{(.035 \sim .039)}$	$\frac{1.30 \sim 1.40}{(.051 \sim .055)}$	$\frac{1.60 \sim 1.80}{(.063 \sim .071)}$



Specifications are subject to change without notice.

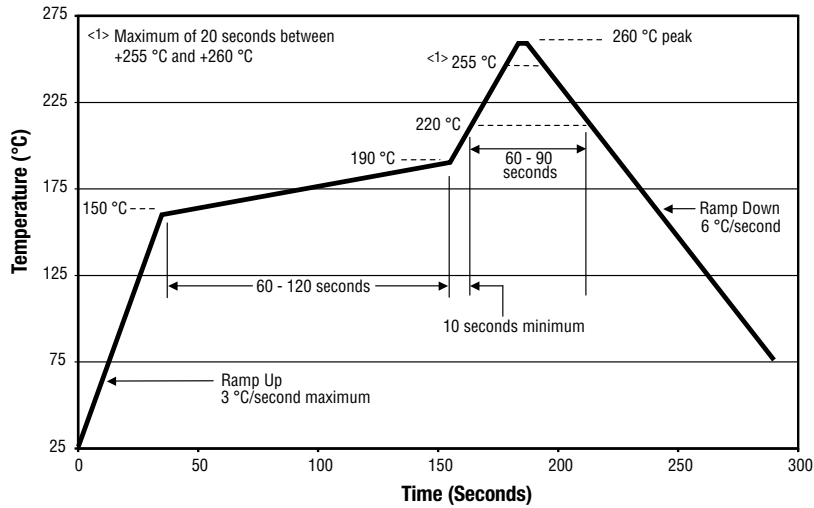
Users should verify actual device performance in their specific applications.

The products described herein and this document are subject to specific legal disclaimers as set forth on the last page of this document, and at www.bourns.com/docs/legal/disclaimer.pdf.

CRT-A Series – Thin Film Precision Chip Resistors

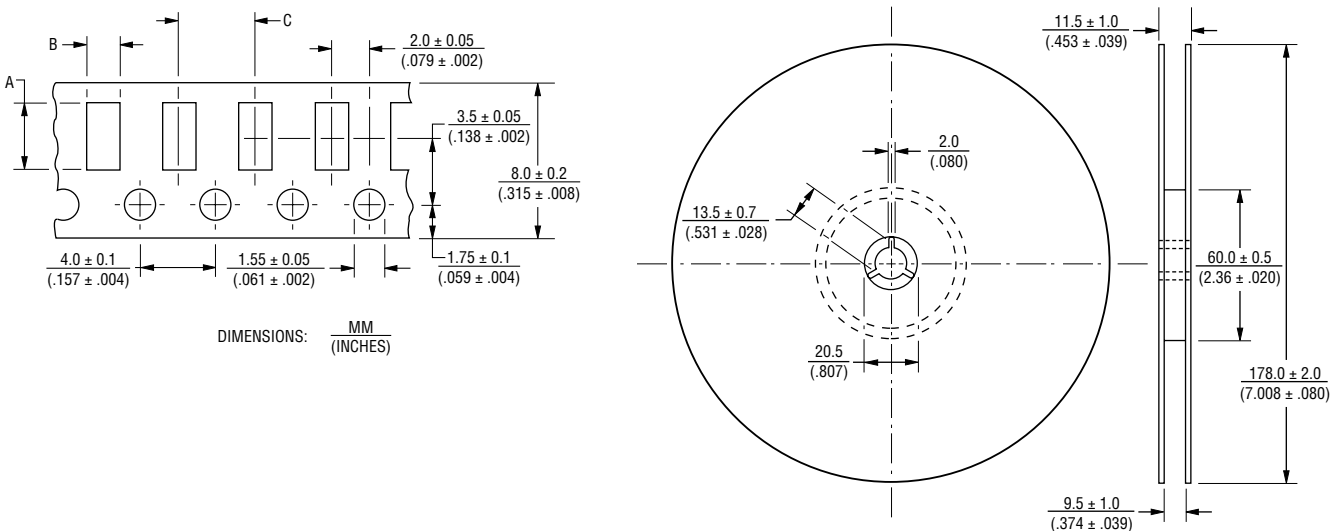


Soldering Profile



Packaging Dimensions – Tape

Dimension	CRT0402A	CRT0603A	CRT0805A	CRT1206A
A	$\frac{1.20 \pm 0.05}{(.047 \pm .002)}$	$\frac{1.90 \pm 0.10}{(.075 \pm .004)}$	$\frac{2.40 \pm 0.20}{(.094 \pm .008)}$	$\frac{3.60 \pm 0.20}{(.142 \pm .008)}$
B	$\frac{0.70 \pm 0.05}{(.028 \pm .002)}$	$\frac{1.10 \pm 0.10}{(.043 \pm .004)}$	$\frac{1.60 \pm 0.15}{(.063 \pm .006)}$	$\frac{2.00 \pm 0.15}{(.079 \pm .006)}$
C	$\frac{2.00 \pm 0.10}{(.079 \pm .004)}$	$\frac{4.00 \pm 0.10}{(.157 \pm .004)}$	$\frac{4.00 \pm 0.10}{(.157 \pm .004)}$	$\frac{4.00 \pm 0.10}{(.157 \pm .004)}$



REV. 08/24

Specifications are subject to change without notice.

Users should verify actual device performance in their specific applications.

The products described herein and this document are subject to specific legal disclaimers as set forth on the last page of this document, and at www.bourns.com/docs/legal/disclaimer.pdf.

This legal disclaimer applies to purchasers and users of Bourns® products manufactured by or on behalf of Bourns, Inc. and its affiliates (collectively, "Bourns").

Unless otherwise expressly indicated in writing, Bourns® products and data sheets relating thereto are subject to change without notice. Users should check for and obtain the latest relevant information and verify that such information is current and complete before placing orders for Bourns® products.

The characteristics and parameters of a Bourns® product set forth in its data sheet are based on laboratory conditions, and statements regarding the suitability of products for certain "typical" applications are based on Bourns' knowledge of typical requirements in generic applications. Bourns assumes that "typical" applications include failsafe/backup features to address critical risks to users and are designed to allow rework of Bourns® product to avoid scrap of a device solely due to malfunctioning Bourns® product. The characteristics and parameters of a Bourns® product in a user application may vary from the data sheet characteristics and parameters due to (i) the combination of the Bourns® product with other components in the user's application, or (ii) the environment of the user application itself. The characteristics and parameters of a Bourns® product also can and do vary in different applications and actual performance may vary over time. Thus, users should always verify the actual performance of the Bourns® product in their specific devices and applications and make their own independent judgments regarding the suitability of Bourns® product and the amount of additional test margin to design into their device or application to compensate for differences between laboratory and real-world conditions.

Unless Bourns has explicitly designated an individual Bourns® product as meeting the requirements of a particular industry standard (e.g., IATF 16949) or a particular qualification (e.g., UL listed or recognized), Bourns is not responsible for any failure of an individual Bourns® product to meet the requirements of such industry standard or particular qualification even if such industry standard or qualification is a "state of art". Users of Bourns® products are responsible for ensuring compliance with safety-related requirements and standards applicable to their devices or applications.

Bourns® products are not recommended, authorized or intended for use in applications where failure or malfunction may result in personal injury, death, or severe property or environmental damage, such as without limitation nuclear, life-critical medical and certain automotive and aviation applications. Except as set forth in the bullet points below or unless expressly and specifically approved in writing on a case-by-case basis by an authorized Bourns' representative, use of any Bourns® products in such unauthorized high-risk applications is at the user's sole risk.

- Bourns considers implantable/invasive devices and devices/procedures designed as life-supporting or life-sustaining by the U.S. Food and Drug Administration or equivalent organizations outside of the United States as "life-critical" medical applications. Bourns expressly identifies those Bourns® standard products that are suitable for use in typical medical applications that are not life-critical in its publication entitled "Bourns Medical Grade Component Guide."
- Bourns expressly identifies those Bourns® standard products that are suitable for use in typical automotive applications associated with any Automate Safety Integrity Level (ASIL) in its publication entitled "Bourns Automotive Grade Component Guide." Bourns' designation of Bourns® product as compliant with the AEC-Q standard does not by itself mean that Bourns has approved such product for use in an automotive application.
- Bourns expressly identifies Bourns® standard products that are suitable for use in the typical aviation applications/systems requiring System Design Assurance Level (RTCA DO-254 DAL) of C, D or E in its publication entitled "Bourns Civilian Aerospace/Aviation Grade Component Guide." Bourns does not test its products for compliance with United States Federal Aviation Administration standards or any other generally equivalent governmental organization standard applicable to products designed or manufactured for use in aviation applications. Use of Bourns® standard components in aviation applications associated with RTCA DO-254 DAL A or B without proper approval noted above shall be at the user's sole risk.
- Bourns will review and authorize on a case-by-case basis the use of Bourns® standard products which are at least AEC-Q compliant in space-related civil applications (rockets, satellites) with a negotiated cross-waiver and indemnity agreement.

The use and level of testing applicable to Bourns® custom products shall be negotiated on a case-by-case basis by Bourns and the user for which such Bourns® custom products are specially designed. Absent a written agreement between Bourns and the user regarding the use and level of such testing, the above provisions applicable to Bourns® standard products shall also apply to such Bourns® custom products.

Use of Bourns® products or Bourns' technology in military/defense applications must be reviewed with Bourns for compliance with applicable export control laws and embargoes. Users shall not sell, transfer, export or re-export (which includes transfers within a country) any Bourns® products or technology or technical data for use in activities which involve the design, development, production, use or stockpiling of nuclear, chemical or biological weapons or missiles, nor shall they use Bourns® products or technology or technical data in any facility which engages in activities relating to such devices. Further, Bourns® products and Bourns' technology and technical data may not under any circumstance be exported or re-exported to countries subject to international sanctions or embargoes. Bourns® products and technology may not, without prior authorization from Bourns and/or the Government of a country where such product/technology is designed and/or manufactured, be resold, transferred, or re-exported (including within the same country) to any party not eligible to receive commodities, software, and technical data originating in such country.

To the maximum extent permitted by applicable law, Bourns disclaims (i) any and all liability for special, punitive, consequential, incidental or indirect damages or lost revenues or lost profits, and (ii) any and all implied warranties (those not based on parameters specified in Bourns' data sheets and/or specifications), including implied warranties of fitness for particular purpose, non-infringement and merchantability.

For your convenience, copies of this Legal Disclaimer Notice with German, Spanish, Japanese, Traditional Chinese and Simplified Chinese bilingual versions are available at:

Web Page: <https://www.bourns.com/legal/disclaimers-terms-and-policies>

PDF: <https://www.bourns.com/docs/Legal/disclaimer.pdf>