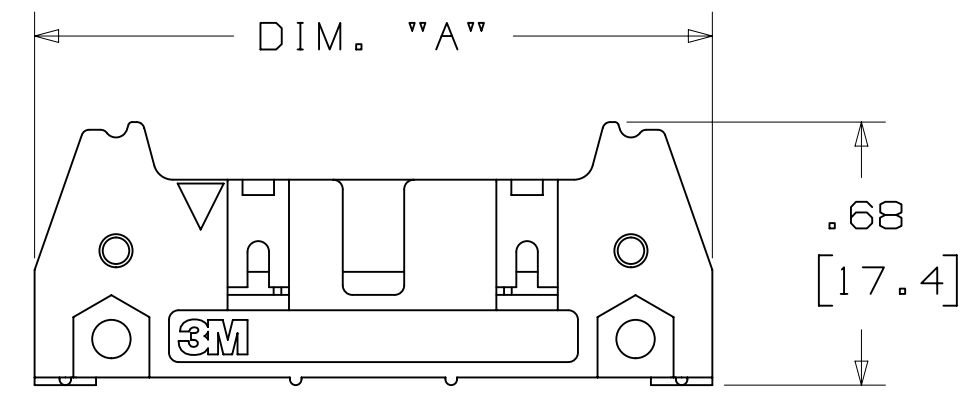
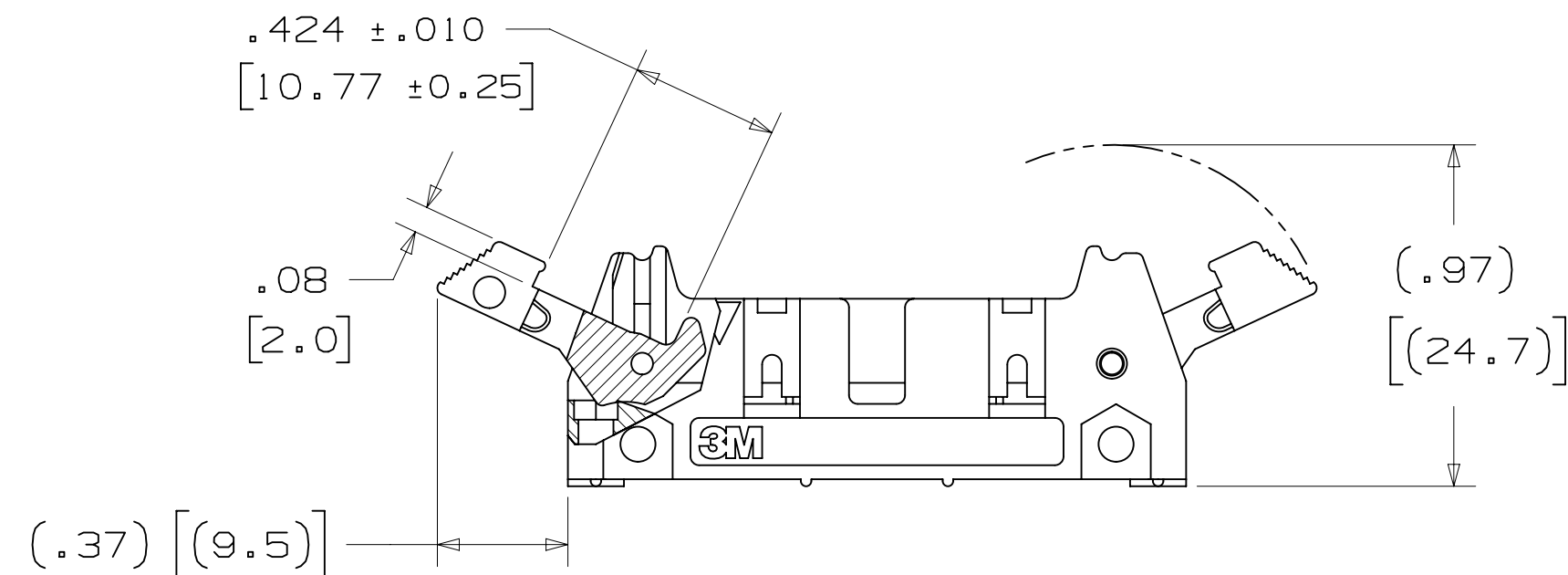


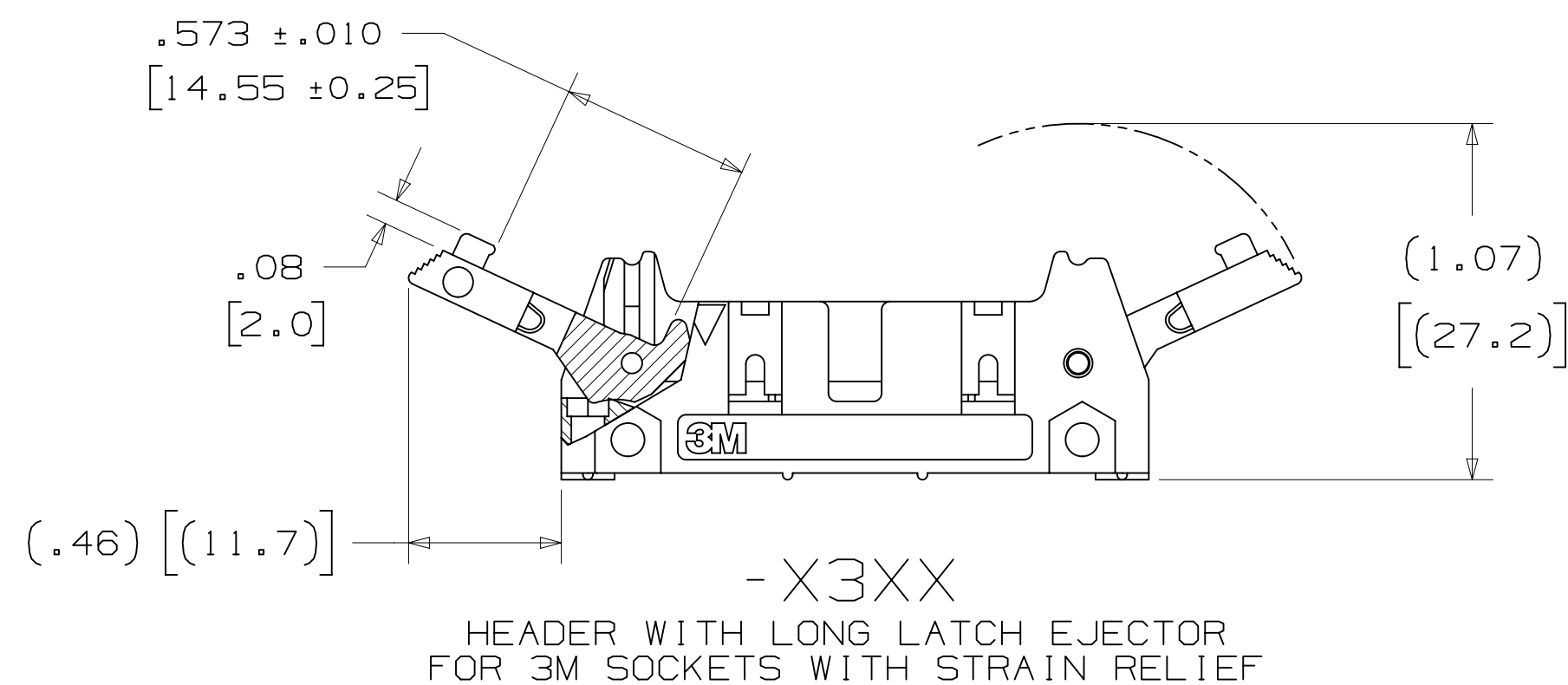
3M™ FOUR-WALL HEADER, 3000 SERIES  
 .100" X .100" LATCH/EJECTOR, STRAIGHT AND RIGHT ANGLE



-X0XX  
 HEADER WITHOUT LATCH/EJECTOR



-X2XX  
 HEADER WITH SHORT LATCH/EJECTOR  
 FOR 3M SOCKETS WITHOUT STRAIN RELIEF



-X3XX  
 HEADER WITH LONG LATCH/EJECTOR  
 FOR 3M SOCKETS WITH STRAIN RELIEF

- \* MILITARY (WITH 3M'S N3518 POLARIZING KEY) AND CENTERBUMP POLARIZATION.
- \* OPTIONAL EJECTOR LATCHES.
- \* MOUNTING HOLES FOR SECURING HEADER TO BOARD.
- \* OPTIONAL POLARIZING POSTS AVAILABLE.
- \* HIGH TEMPERATURE INSULATOR SUITABLE FOR "NO LEAD" SOLDERING OPERATIONS.
- \* SUITABLE FOR REFLOW SOLDERING USING "PASTE IN HOLE" TECHNIQUES.
- \* SOLDER TAIL OPTION.

2 PHYSICAL :

INSULATOR: GLASS FILLED POLYESTER (PCT)  
 MATERIAL: UL94V-0  
 FLAMMABILITY: UL94V-0  
 COLOR: BLACK  
 CONTACT: COPPER ALLOY  
 PLATING: 100μ" [2.54μm] AVG. NICKEL-OVERALL  
 UNDER PLATING: 30μ" [0.76μm] AVG. GOLD  
 WIPING AREA: TIN LEAD OR MATTE TIN (SEE ORDERING INFORMATION)  
 MARKINGS: 3M LOGO, PART IDENTIFICATION NUMBER AND ORIENTATION TRIANGLE

2 ELECTRICAL :

EIA CURRENT RATING: 5.00A, 1 CONTACT POWERED  
 3.00A, 6 CONTACTS POWERED  
 1.75A, ALL CONTACTS POWERED  
 RATING CONDITIONS: EIA-364-070 METHOD 2, 30°C MAXIMUM TEMPERATURE RISE, 20% DERATED. REFERENCE APPROPRIATE 3M PRODUCT SPECIFICATION FOR DETAILED CURRENT DERATING CURVES.  
 INSULATION RESISTANCE: >1 X 10<sup>9</sup>Ω AT 500 V<sub>DC</sub>  
 WITHSTANDING VOLTAGE: 1,000V<sub>RMS</sub> AT SEA LEVEL  
 UL CURRENT RATING: 1.0A ALL LINES POWERED  
 UL VOLTAGE RATING: 125V

2 ENVIRONMENTAL :

UL TEMPERATURE RATING: 130C  
 EIA TEMPERATURE RATING: -55°C TO 105°C  
 PROCESS RATING: 260°C, PER J-STD-020C, SINGLE PASS  
 MOISTURE SENSITIVITY LEVEL: 1 (PER J-STD-020C)

- NOTES
1. REGULATORY INFORMATION: ROHS COMPLIANT. SEE THE REGULATORY INFORMATION APPENDIX (RIA) IN THE "ROHS COMPLIANCE" SECTION OF WWW.3MCONNECTORS.COM FOR COMPLIANCE INFORMATION.
  2. IN THE EVENT OF CONFLICT BETWEEN THIS DATA AND THAT CONTAINED IN THE PRODUCT SPECIFICATION, THE PRODUCT SPECIFICATION TAKES PRECEDENT.
  3. NOTCHES A & C WILL ACCOMMODATE 3M POLARIZING KEY: N3518.
  4. MOUNTING HARDWARE: FROM SOLDER SIDE OF PC BOARD USE #4-24 THREAD CUTTING SCREW (3M PART #3341-5) WITH Ø.116 [2.95] MOUNTING HOLE. FOR RIGHT ANGLE VERSION ONLY: #2-56 BOLT AND NUT (3M PART #3341-6) WITH Ø.106 [2.69] MOUNTING HOLE MAY BE USED.
  5. THE RECOMMENDED PCB HOLE SIZE FOR THE KINKED TAIL POSITIONS ON THE .112 SOLDER TAIL CONNECTOR IS Ø.035±.002. (SEE K2 VERSION).

ORDERING INFORMATION

X3XXX-XXXXXX

N = HIGH TEMP BLACK (PCT)/(RB PLATING REQ'D)  
 BLANK = STANDARD TEMP (UB AND EB PLATING)  
 3M PART NUMBER:  
 (SEE TABLE 1)

PIN CONFIGURATION:  
 5 = RIGHT ANGLE SOLDER TAILS  
 6 = STRAIGHT SOLDER TAILS

PLATING:  
 RB = 200μ" [5.08μm] MATTE TIN TAILS (APP. E1 & C1 APPLY)  
 UB OR BLANK, STANDARD TEMP ONLY = 200μ" [5.08μm] TIN LEAD TAILS (APP. E3 & C2 APPLY)  
 EB OR BLANK, WWT TAIL OPTION 05 ONLY = FLASH GOLD TAIL (APP.E1 & C1 APPLY)

TAIL:  
 02 = FOR .062 [1.57] THICK BOARD  
 03 = FOR .094 TO .125 [2.39 TO 3.18] THICK BOARD  
 05 = WWT FOR UP TO 3 LEVELS OF WIRE WRAP  
 K2 = KINKED FOR .062 [1.57] THICK BOARD

LATCH/EJECTOR SYSTEM:  
 0 = NO LATCH/EJECTOR INSTALLED  
 2 = SHORT ROLL PIN LATCH/EJECTORS  
 3 = LONG ROLL PIN LATCH/EJECTORS

DIMENSIONS: INCHES [MM]  
 [MM] IS REF. ONLY

DESIGN REFERENCE	NEXT ASSEMBLY	REV	ECO	ISSUE DATE AND DESCRIPTION	DRFT	CHKD
		T	62689	JUL 10, 2015 ADD 5X05 OPTION AND REVISE NOTES	JNC	SN
		S	60056	MAR 06, 2015 REVISE ORDERING NUMBER	JNC	RS
		R	56068	JUL 25, 2014 REVISED AND REDRAWN	JNC	RS
DRFT		CHKD	CASTIGLIONE	DATE JUL 25, 2014	APPR R. SCHERER	DATE SEP 05, 2014
DIVISION Interconnect Solutions		SCALE 2 1		TOLERANCES EXCEPT AS NOTED		
DO NOT SCALE DRAWING		THIRD ANGLE PROJECTION		INCHES .00 ± .01 .000 ± .005 .0000 ±		
INTERPRET PER ASME Y14.5 - 2009		MAX SURFACE ROUGHNESS DTX SURFACES		MILLIMETERS 0 ± .0 ± .3 .000 ± .13		
MARKED ONLY		ANGLES		TITLE HEADER, 4-WALL, .100 X .100 LATCH/EJECTOR, STRAIGHT & RA		
CAGE NUMBER D 78-5100-0772-3		SIZE T		DRAWING NO. 78-5100-0772-3		
MODEL 3000 SERIES		DET 1		REV. SHT 1 OF 4		



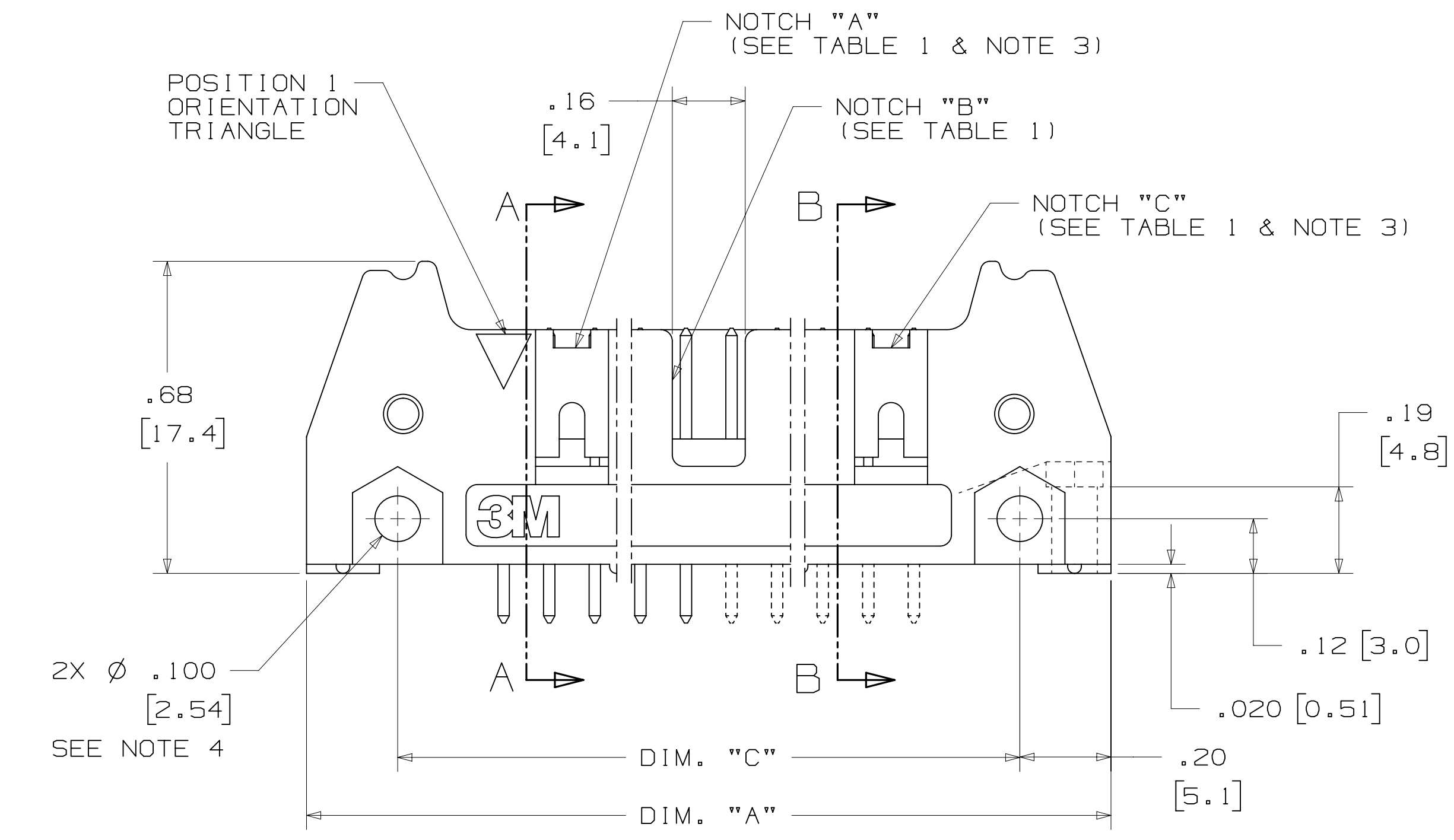
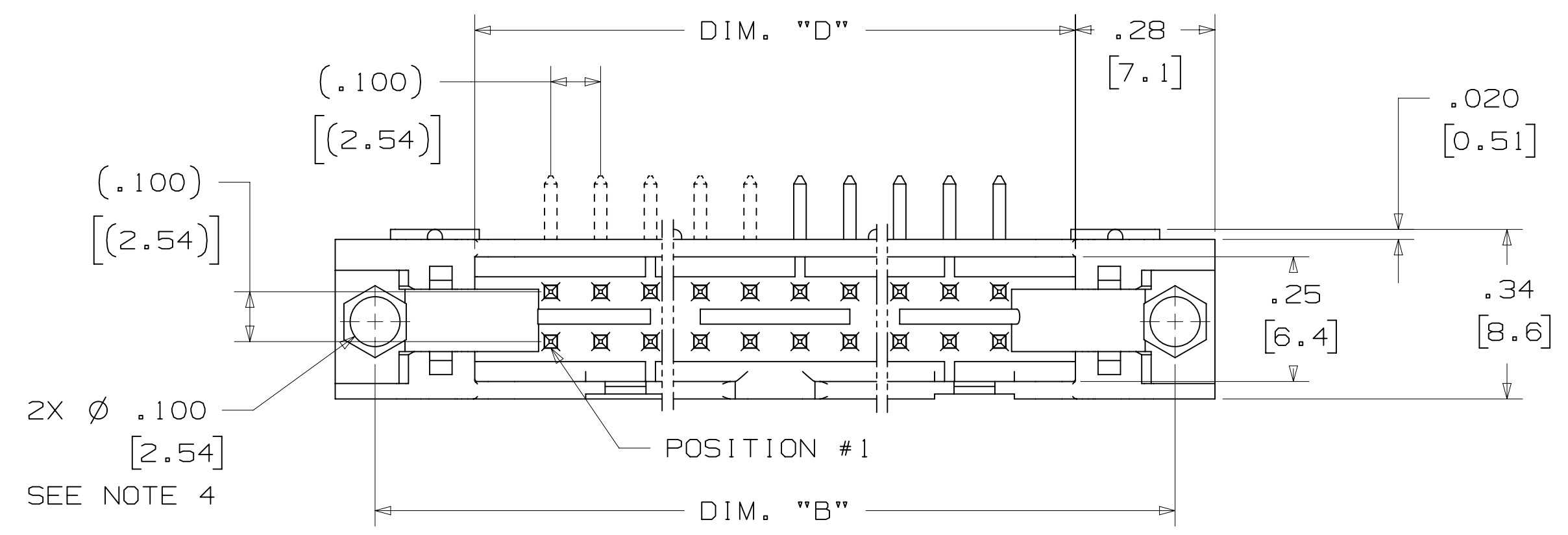
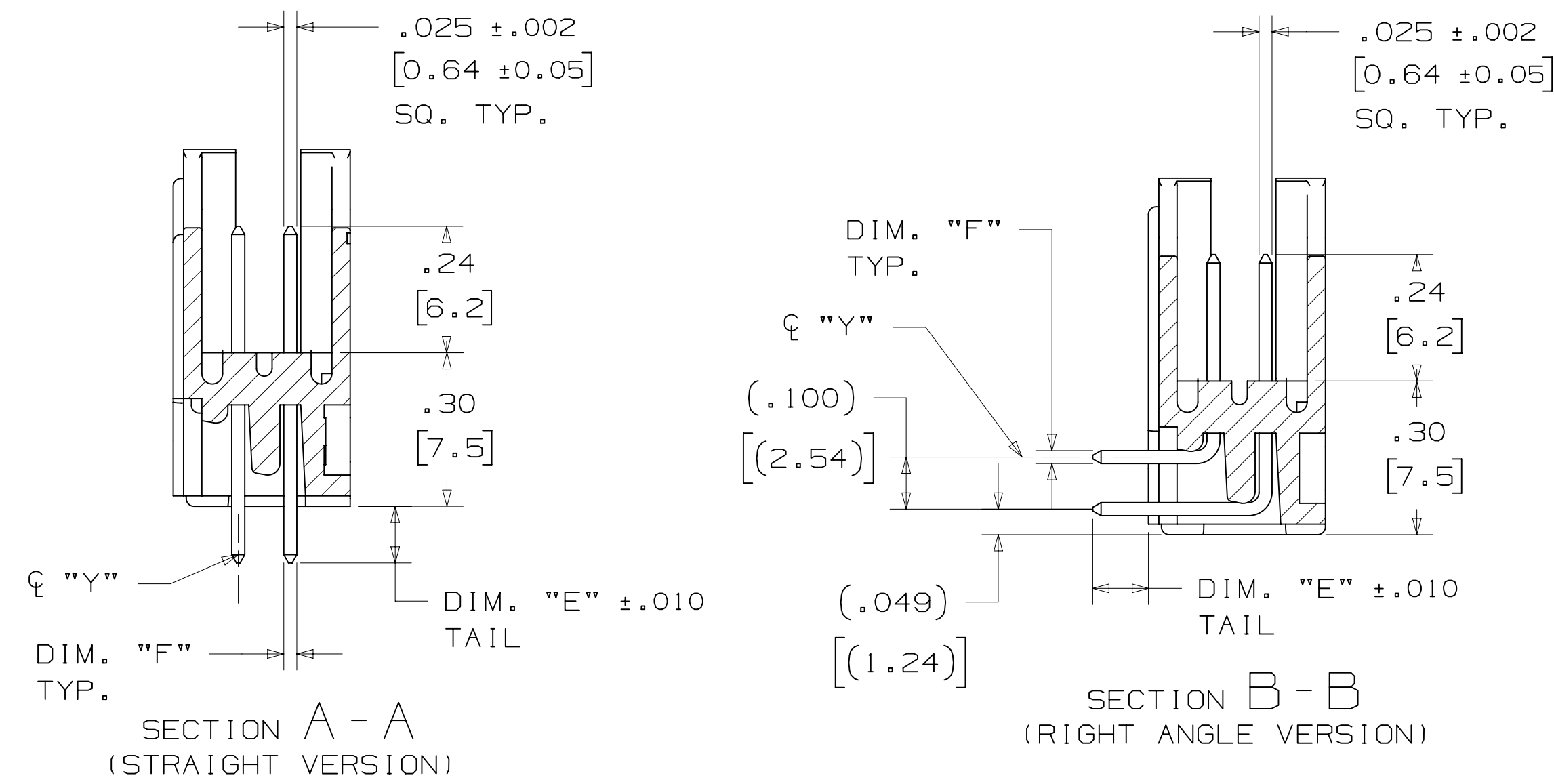
3M ELECTRONIC MATERIALS SOLUTIONS DIVISION  
 INTERCONNECT SOLUTIONS  
<http://www.3mconnectors.com>

3M IS A TRADEMARK OF 3M COMPANY.  
 FOR TECHNICAL, SALES OR ORDERING  
 INFORMATION CALL 800-225-5373

78-5100-0772-3  
 DRAWING NUMBER  
 REVISION  
 AM UTC-05:00  
 7/12/2016 8:14

# 3M™ FOUR-WALL HEADER, 3000 SERIES

.100" X .100" LATCH/EJECTOR, STRAIGHT AND RIGHT ANGLE



PIN QTY.	3M PART NUMBER	DIM. "A"	DIM. "B"	DIM. "C"	DIM. "D"	POLARIZING NOTCHES	PIN QTY.
06	3869	1.06 [27.0]	.905 [22.99]	.665 [16.89]	.51 [12.9]	B*	06
08	3889	1.16 [29.5]	1.005 [25.53]	.765 [19.43]	.61 [15.5]	B*	08
10	3793	1.26 [32.1]	1.105 [28.04]	.865 [21.97]	.71 [18.0]	BC	10
14	3314	1.46 [37.2]	1.305 [33.12]	1.065 [27.05]	.91 [23.1]	BC	14
16	3408	1.56 [39.7]	1.405 [35.66]	1.165 [29.59]	1.01 [25.6]	ABC	16
20	3428	1.76 [44.8]	1.604 [40.74]	1.365 [34.67]	1.21 [30.7]	ABC	20
24	3627	1.96 [49.9]	1.805 [45.82]	1.565 [39.75]	1.41 [35.8]	ABC	24
26	3429	2.06 [52.4]	1.905 [48.36]	1.665 [42.29]	1.51 [38.3]	ABC	26
30	3440	2.26 [57.5]	2.105 [53.44]	1.865 [47.37]	1.71 [43.4]	ABC	30
34	3431	2.46 [62.6]	2.305 [58.52]	2.065 [52.45]	1.91 [48.5]	ABC	34
40	3432	2.76 [70.2]	2.605 [66.14]	2.365 [60.07]	2.21 [56.1]	ABC	40
50	3433	3.26 [82.9]	3.105 [78.84]	2.865 [72.77]	2.71 [68.8]	ABC	50
60	3372	3.76 [95.6]	3.605 [91.54]	3.365 [85.47]	3.21 [81.5]	ABC	60
64	3764	3.96 [100.7]	3.805 [96.62]	3.565 [90.55]	3.41 [86.6]	ABC	64

\* AVAILABLE WITHOUT CENTER NOTCH B. CONTACT 3M

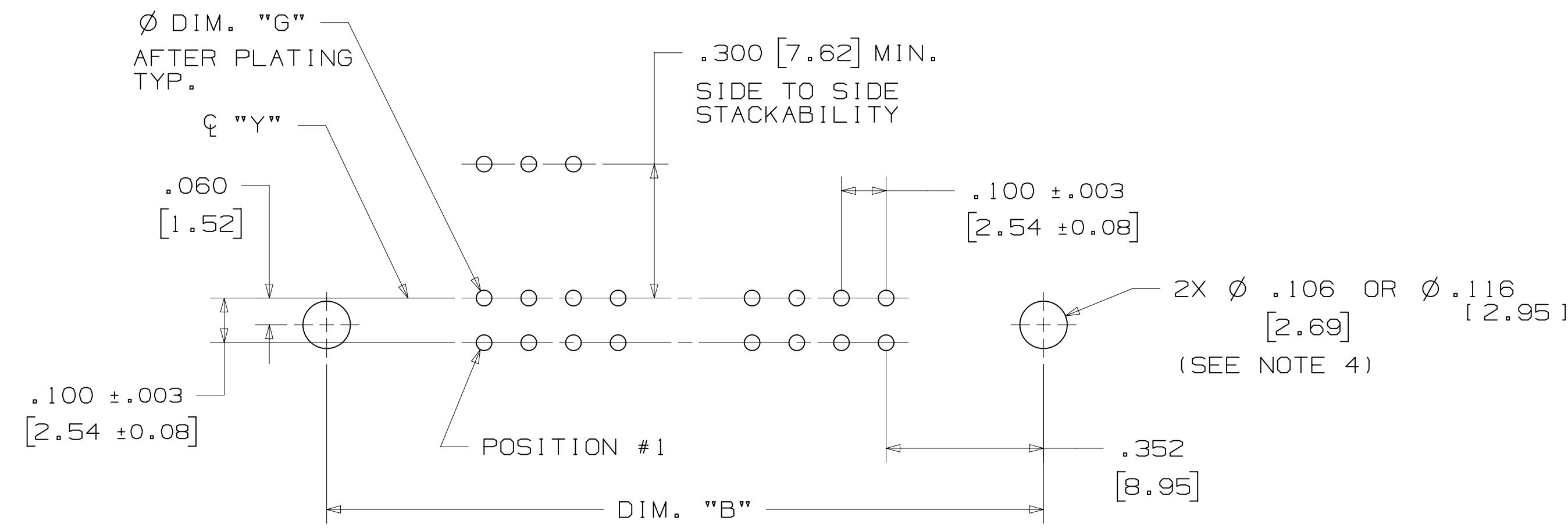
3M PART NUMBER SUFFIX	CONTACT TAIL	DIM. "E"	PIN CROSS SECTION			DIM. "G"
			DIM. "F"	DIAGONALS	CORNER RADIUS	
-5XX2	.062 [1.57] THICK PC BOARD	.112 [2.84]	.0245+/- .0005 [ .622 ]	.028+/- .001 [ .71 ]	.0075 [ .191 ] REF.	.035+/- .003 [ .89 ] SEE NOTE 5
-6XX2						
-5X03	.094 [2.39] TO .125 [3.18] THICK PC BOARD	.155 [3.94]	.0245+/- .0005 [ .622 ]	.028+/- .001 [ .71 ]	.0075 [ .191 ] REF.	.035+/- .003 [ .89 ]
-6X03						
-5X05	WIRE WRAP TAIL FOR UP TO 3 LEVELS OF WIRE WRAP	.61 [15.5] REF.	.0250+/- .002 [ .635 ]	.035+/- .003 [ .89 ]	.003 [ .08 ] MAX.	.045+/- .003 [ 1.14 ]

DESIGN REFERENCE	NEXT ASSEMBLY	REV	ECO	ISSUE DATE AND DESCRIPTION	DRFT	CHKD
DIVISION	DIVISION CODE	DATE	DATE	DATE	DATE	DATE
Interconnect Solutions	EMSD	JUL 25, 2014	MFG	SEP 05, 2014		
DO NOT SCALE DRAWING	SCALE 4/1	TOLERANCES EXCEPT AS NOTED				
THIRD ANGLE PROJECTION	INTERPRET PER ASME Y14.5 - 2009	INCHES .00 ± .01 .000 ± .005 .0000 ±	TITLE: HEADER, 4-WALL, .100 X .100 LATCH/EJECTOR, STRAIGHT & RA CAGE NUMBER: D78-5100-0772-3 MODEL: 3000 SERIES			
MAX SURFACE ROUGHNESS	MARKED ONLY	MILLIMETERS 0 ± .00 ± .13 .000 ±	REV. 1 DET. [ ] SHT 2 OF 4			

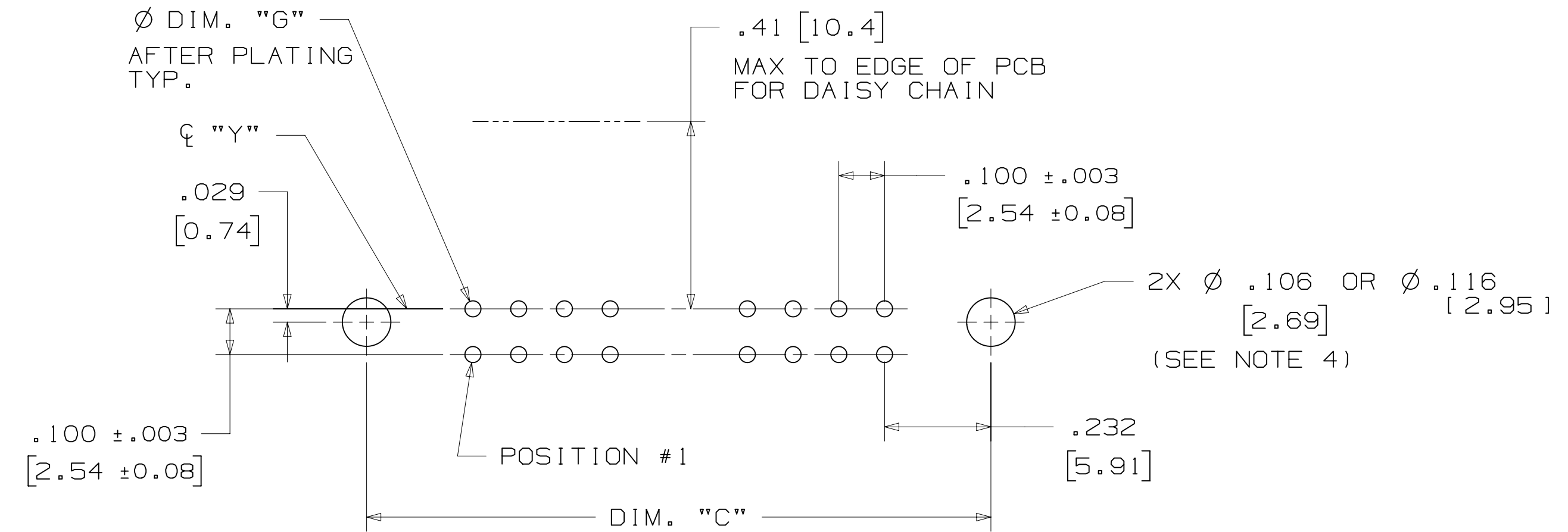
78-5100-0772-3  
 REV. 1  
 DATE: JUL 25, 2014  
 MFG: SEP 05, 2014  
 AM UTC-05:00  
 7/12/2016 8:14

# 3M™ FOUR-WALL HEADER, 3000 SERIES

.100" X .100" LATCH/EJECTOR, STRAIGHT AND RIGHT ANGLE



RECOMMENDED MOUNTING HOLE PATTERN  
(STRAIGHT VERSION)



RECOMMENDED MOUNTING HOLE PATTERN  
(RIGHT ANGLE VERSION)

## PART CUSTOMIZATION

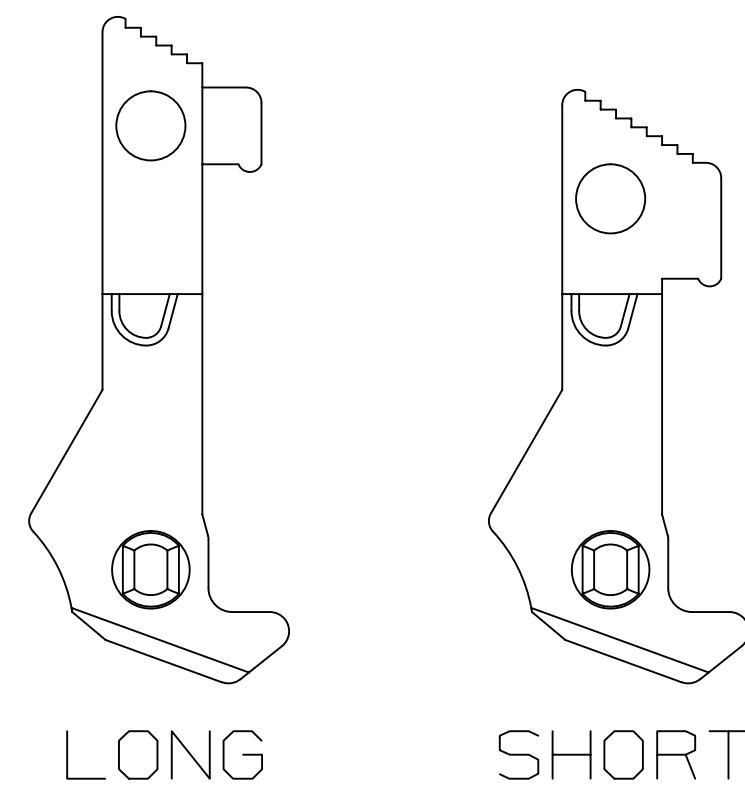
THIS SPEC SHEET DETAILS OUR STANDARD OFFERING.

3M HAS SEVERAL CAPABILITIES THAT CAN PROVIDE A PART TAILORED TO YOUR SPECIFIC NEEDS. ASK YOUR 3M SALES REPRESENTATIVE OR CUSTOMER SERVICE FOR MORE DETAILS.

BOTH SNAP-IN AND ROLL PIN LATCHES MAY BE ORDERED SEPARATELY. SNAP-IN AND ROLL PIN STYLE LATCHES ARE DIMENSIONALLY AND FUNCTIONALLY EQUIVALENT. IF ORDERING SNAP-IN OR ROLL PIN STYLE LATCHES SEPARATELY, PLEASE USE THE BELOW CHART.

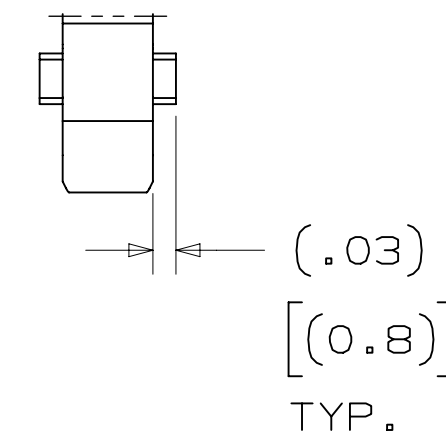
MATERIAL	SHORT LATCH	LONG LATCH	LATCH STYLE	COLOR
HIGH TEMP. (PCT)	N3505-2B	N3505-3B	ROLL PIN	BLACK
HIGH TEMP. (PPA)	N3505-30B	N3505-31B	SNAP-IN	BLACK

- \* SELECTIVE PIN REMOVAL (ATA OR OTHER COMPATABILITY)
- \* WIRE WRAP TAILS STYLE

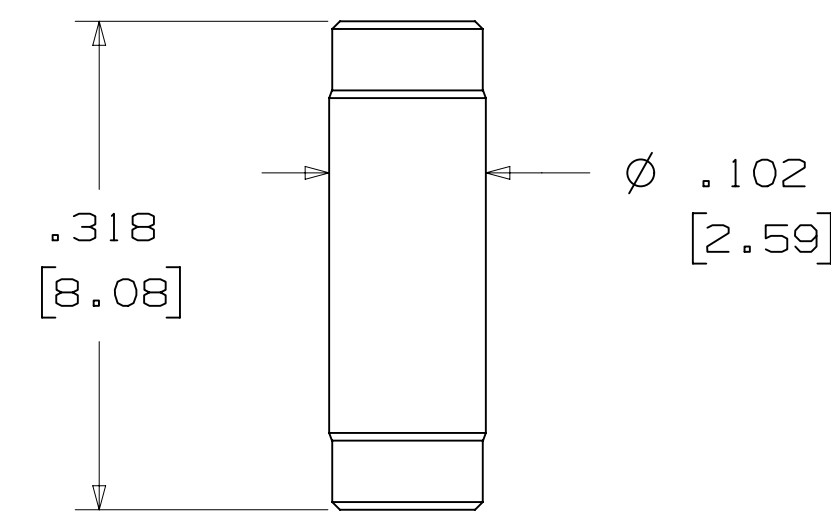


SNAP-IN LATCHES

NOTE:  
SNAP-IN LATCHES CAN ONLY BE ORDERED SEPARATELY AND ARE THE CUSTOMERS RESPONSIBILITY TO INSTALL.



## POLARIZING POST



3M PART NO.	MATERIAL	COLOR
3201-4	LCP	BLACK

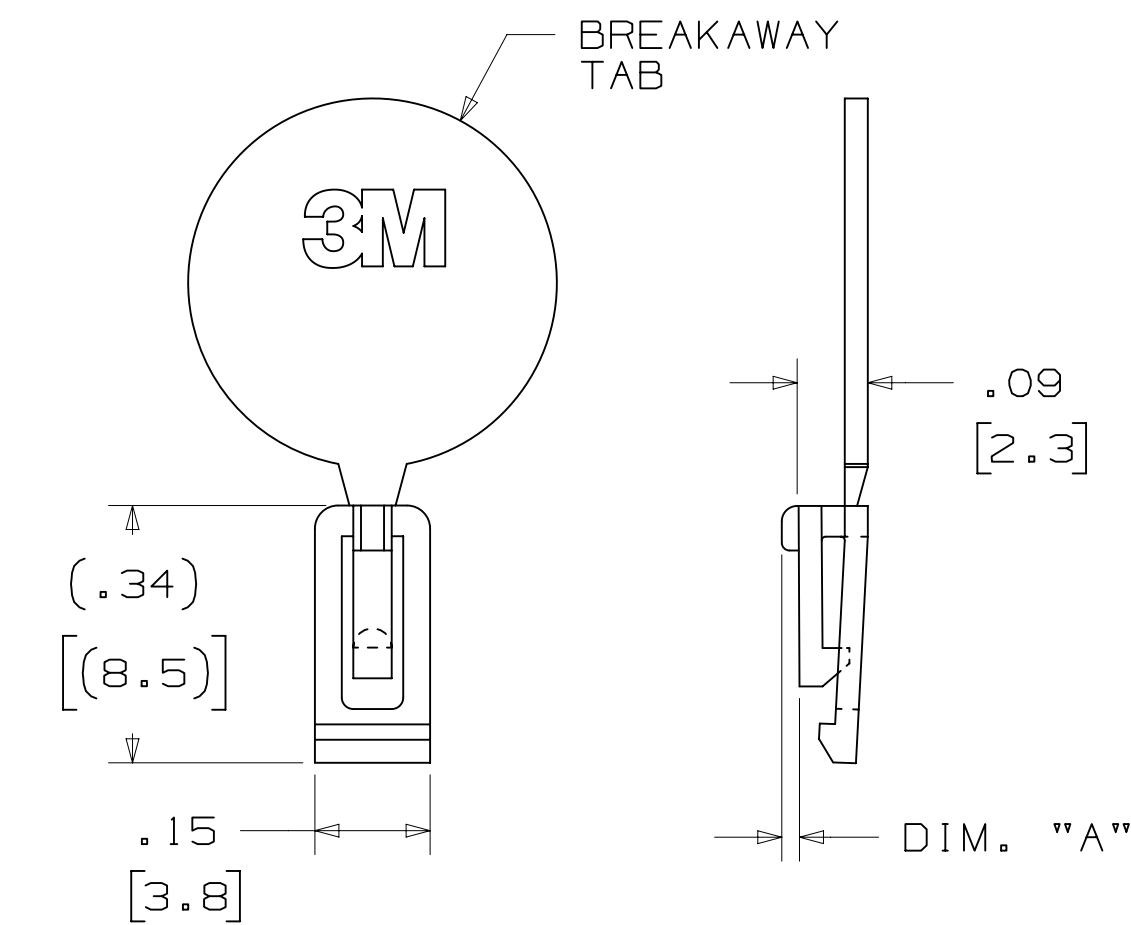
NOTE:  
INSERT POST INTO ONE MOUNTING HARDWARE HOLE ON BOTTOM OF HEADER. SET POST TO PROTRUDE .115 [2.92]

## K2 OPTION

2500 & 3000 SERIES SHROUDED HEADER						
TOTAL NO. OF PINS	NO. OF TAILS KINKED	POSITIONS KINKED				
10	4	3	4	7	8	
14	4	3	4	11	12	
16	4	3	4	13	14	
20	4	3	4	17	18	
24	4	3	4	21	22	
26	4	3	4	23	24	
30	4	5	6	25	26	
34	4	7	8	27	28	
36	4	7	8	27	28	
40	4	7	8	33	34	
50	4	7	8	43	44	
60	4	11	12	49	50	
64	4	11	12	53	54	

KINKED TAIL DETAIL:  
- KINK IS LOCATED .05" BELOW BOTTOM SURFACE OF PLASTIC.  
- EXTERNAL RADIUS OF KINK TOWARD PART CENTERLINE.

## POLARIZING KEYS



3M PART NO.	MATERIAL	COLOR	DIM. "A"
N3518	LCP	BLACK	.02

NOTE:  
#2216 B/A SCOTCHWELD CAN BE USED TO ADHERE KEYS.

DESIGN REFERENCE	NEXT ASSEMBLY	REV	ECO	ISSUE DATE AND DESCRIPTION	DRFT	CHKD
		T	62689	JUL 10, 2015	JNC	SN
		S	60056	MAR 08, 2015	JNC	RS
		R	56068	JUL 25, 2014	JNC	RS
				ADD 5X05 OPTION AND REVISE NOTES		
				REVISE ORDERING NUMBER		
				REVISED AND REDRAWN		
				ISSUE DATE AND DESCRIPTION		
				JUL 25, 2014		
				DATE		
				DATE		
				DATE		
				DATE		
				DATE		
				DATE		

DIVISION	INTERCONNECT SOLUTIONS	DIVISION CODE	EMSD
DO NOT SCALE DRAWING	SCALE 4-1	TOLERANCES EXCEPT AS NOTED	
THIRD ANGLE PROJECTION		INCHES	
		.00 ± .01	
		.000 ± .005	
		.0000 ±	
		MILLIMETERS	
		0 ±	
		.0 ± .3	
		.00 ± .13	
		.000 ±	
		MARKED ONLY	

TITLE	CAGE NUMBER	SIZE	DRAWING NO.	REV.
HEADER, 4-WALL, .100 X .100 LATCH/EJECTOR, STRAIGHT & RA	D	T	78-5100-0772-3	1
MODEL			3000 SERIES	
DEF.			LISTS	YES X NO
SHT			3 OF 4	

T 62689 JUL 10, 2015 JNC SN  
 S 60056 MAR 08, 2015 JNC RS  
 R 56068 JUL 25, 2014 JNC RS  
 REV ECO ISSUE DATE AND DESCRIPTION DRFT CHKD  
 CASTIGLIONE JUL 25, 2014 MFG DATE  
 R. SCHERER DATE SEP 05, 2014  
 DIVISION INTERCONNECT SOLUTIONS DIVISION CODE EMSD  
 DO NOT SCALE DRAWING SCALE 4-1 TOLERANCES EXCEPT AS NOTED  
 THIRD ANGLE PROJECTION INCHES  
 .00 ± .01  
 .000 ± .005  
 .0000 ±  
 MILLIMETERS  
 0 ±  
 .0 ± .3  
 .00 ± .13  
 .000 ±  
 MARKED ONLY  
 TITLE CAGE NUMBER SIZE DRAWING NO. REV.  
 HEADER, 4-WALL, .100 X .100 LATCH/EJECTOR, STRAIGHT & RA D T 78-5100-0772-3 1  
 MODEL 3000 SERIES DEF. LISTS YES X NO SHT 3 OF 4  
 78-5100-0772-3 T  
 AM UTC-05:00  
 7/12/2016 8:14  
 AM UTC-05:00

8

7

6

5

4

3

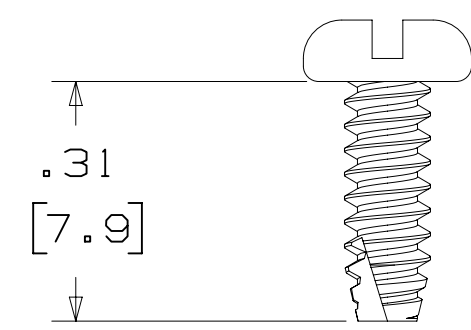
2

1

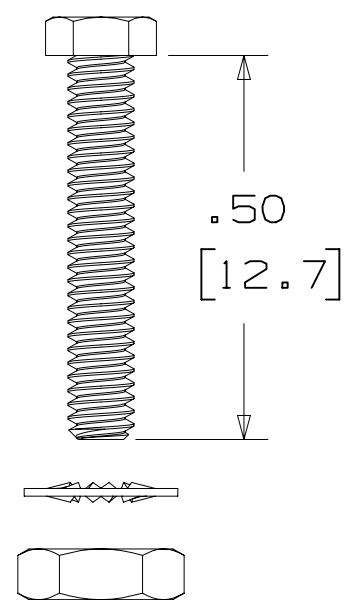
# 3M™ FOUR-WALL HEADER, 3000 SERIES

.100" X .100" LATCH/EJECTOR, STRAIGHT AND RIGHT ANGLE

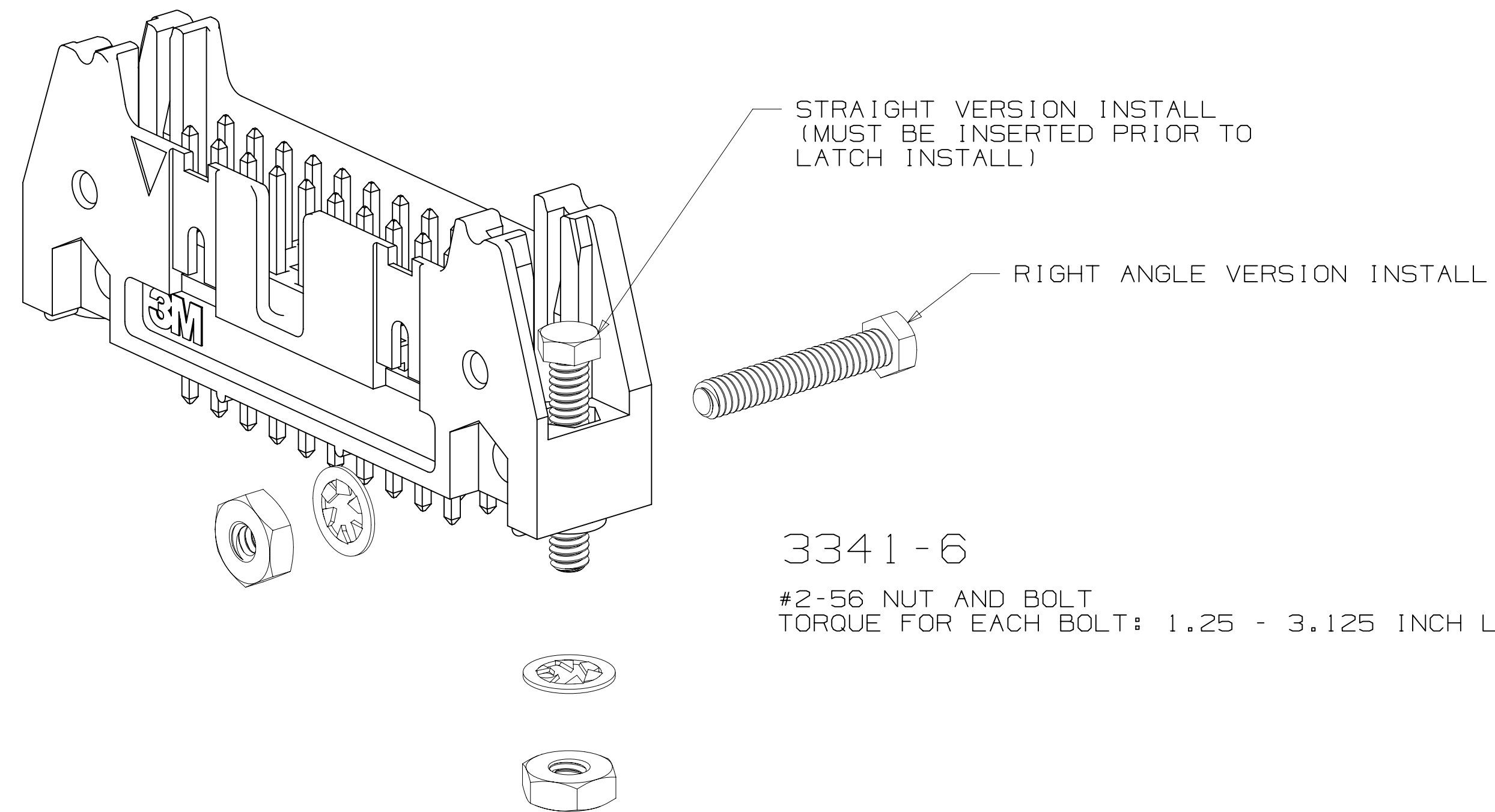
## MOUNTING HARDWARE



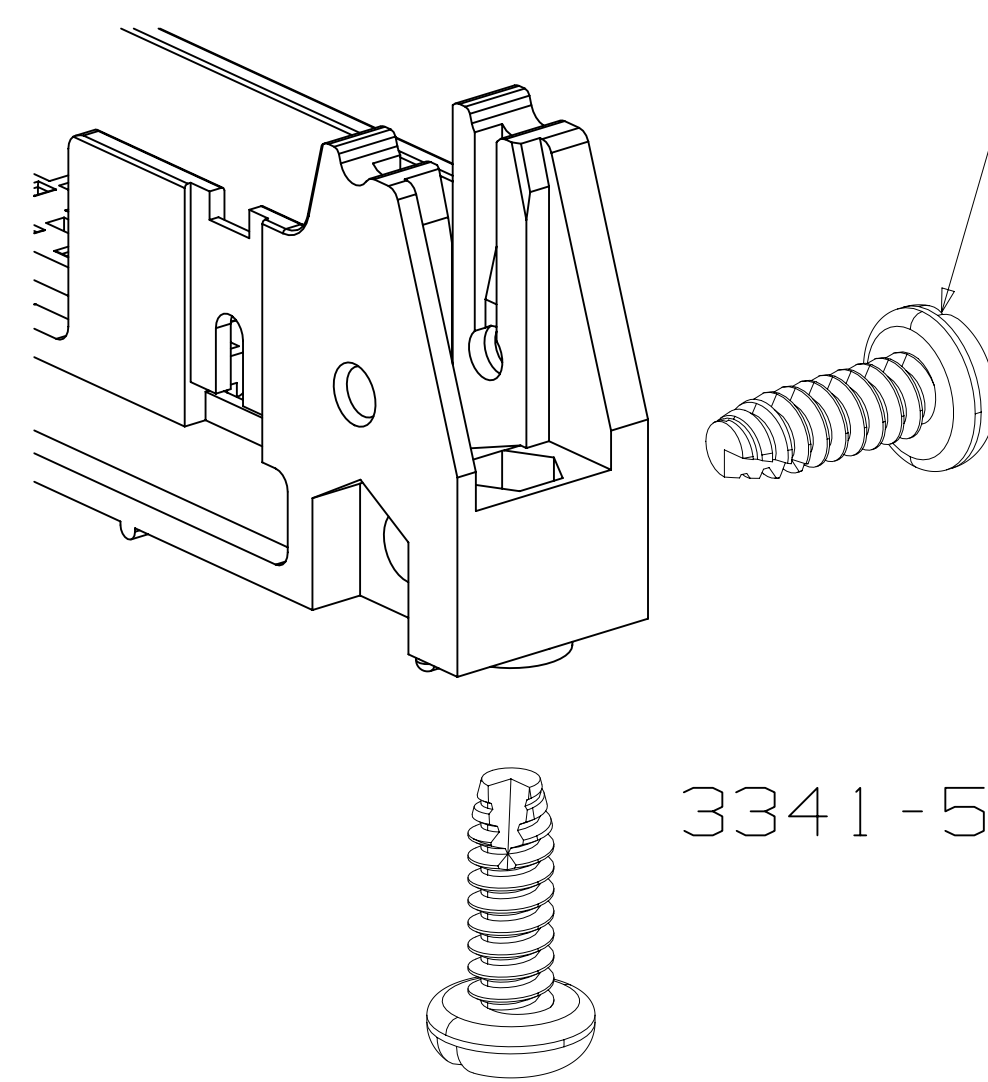
**3341-5**  
(INSTALL FROM BOTTOM OF BOARD)  
PANHEAD THREAD CUTTING SCREW:  
#4-24 X 5/16"  
TYPE: USA STD BT, FEDERAL BG  
MATERIAL: STAINLESS STEEL



**3341-6**  
HEX HEAD BOLT, NUT AND WASHER:  
BOLT - #2-56 X 1/2"  
MATERIAL: STAINLESS STEEL



**3341-6**  
#2-56 NUT AND BOLT  
TORQUE FOR EACH BOLT: 1.25 - 3.125 INCH LBS.



#4-24 TYPE BT SELF THREADING SCREW  
WHEN USING LATCHES, MAXIMUM LENGTH  
OF SCREW IS .250 INCHES PLUS  
THICKNESS OF THE BOARD.  
TORQUE FOR EACH SCREW IS 3-5 INCH LBS.

**3341-5**

T	62689	JUL 10, 2015	JNC	SN
S	60056	MAR 06, 2015	JNC	RS
R	56068	JUL 25, 2014	JNC	RS

DESIGN REFERENCE	NEXT ASSEMBLY	REV	ECO	ISSUE DATE AND DESCRIPTION	DRFT	CHKD
NO CODES		CHKD		DATE		
		DRFT		DATE		
		CHKD		DATE		
DIVISION		DIVISION CODE				
Interconnect Solutions		EMSD				
DO NOT SCALE DRAWING	SCALE 4/1	TOLERANCES EXCEPT AS NOTED		INCHES		
THIRD ANGLE PROJECTION		MILLIMETERS		0 ±		
INTERPRET PER ASME Y14.5 - 2009				.0 ± .01		
MAX SURFACE ROUGHNESS				.000 ± .005		
LIT SURFACES				.0000 ±		
MARKED ONLY				.0 ± .3		
				.00 ± .13		
				.000 ±		
				ANGLES		

3M Center	© 3M COPYRIGHT 2016		This document and the information it contains are 3M property and may not be reproduced or further distributed without 3M permission, or used or disclosed other than for 3M authorized purposes. All rights reserved.	
St. Paul, MN 55144	TITILE		HEADER, 4-WALL, .100 X .100 LATCH/EJECTOR, STRAIGHT & RA	
CAGE NUMBER	SIZE	DRAWING NO.	REV.	
D		78-5100-0772-3	T	
MODEL	3000 SERIES		DET	ISTS
			YES	NO
			SHT	4 OF 4

78-5100-0772-3  
DRAWING NUMBER  
REV. 3  
AM UTC-05:00  
T.2 7/12/2016 8:14

8

7

6

5

4

3

2

1