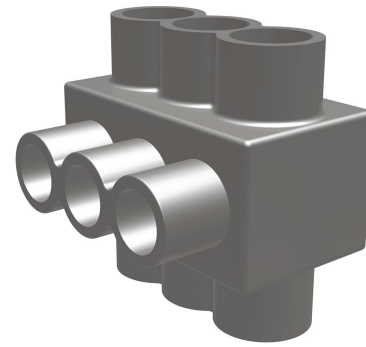


1PLD60010, UV Rated Black, 2-Side, 10-Port, #4 AWG-600 kcmil

By Burndy

Catalog # [1PLD60010](#)

UV Rated Covering, Oxide inhibitor pre-installed 2-Sided, 10-Port Tap, #4 AWG-600 kcmil



Features

- UV Rated Covering over AL6061-T6 aluminum body saves time, lowering installation costs and eliminates taping
- Oxide inhibitor pre-installed inhibits moisture and contaminants from entering the contact area
- Range-taking capability reduces the number of connectors necessary to carry in inventory

Specifications

Certification - UL Recognized	No
Certification - cULus	No
Certification - ETL	No
Standards - RoHS Compliance Status	CM
Certification - UL Listed Direct Burial	No
UL Listed	Yes
Certification - CSA Approved	No

Conductor

Conductor - AL Str Size	<ul style="list-style-type: none"> • 4 AWG • 3 AWG • 2 AWG • 1 AWG • 1/0 AWG • 2/0 AWG • 3/0 AWG • 4/0 AWG • 250 kcmil • 266 kcmil • 300 kcmil • 336 kcmil • 350 kcmil • 397 kcmil • 400 kcmil • 450 kcmil • 477 kcmil • 500 kcmil • 556 kcmil • 600 kcmil
Conductor - AL Str Size Range	4 AWG - 600 kcmil
Conductor - Copper Str Size	<ul style="list-style-type: none"> • 4 AWG • 3 AWG • 2 AWG

- 1 AWG
- 1/0
- 2/0 AWG
- 3/0 AWG
- 4/0 AWG
- 250 kcmil
- 300 kcmil
- 350 kcmil
- 400 kcmil
- 450 kcmil
- 500 kcmil
- 550 kcmil
- 600 kcmil

Conductor Size	4 AWG-600 KCMIL
Conductor Type	<ul style="list-style-type: none"> • AL C Str-Size • CU C Str-Size
Conductor - Copper Str Size Range	4 AWG - 600 kcmil

Configuration

Physical Attribute - Number of Screws	10
Number Of Ports	10
Connector Type	Multi Tap

Current

Voltage - Maximum	600 V
-------------------	-------

Dimensions

Package Height	0.000 in
Dimension - Height mm	69.9 mm
Dimension - Height inch	2.75 in
Dimension - Height fraction	2.75 in
Package Weight	0.000 lb.
Package Length	0.000 in
Package Width	0.000 in
Dimension - L Length Overall mm	329 mm
Width	3 in
Dimension - Screw Size inch	13/16
Length	12.97 in
Dimension - Width mm	76 mm
Dimension - Width inch	3.00 in
Height	2.75 in
Dimension - Length Overall inch	12.97 in

Dimensions 12.97 in x 3 in x 2.75 in

UPC 14 Digit GTIN

00781810287392

General

Insulation Type Plastisol
Trade Name UNITAP™
Material - Hardware Aluminum
Insulation Y
Physical Attribute - Screw Type Allen
Plated N
UPC 781810287392
Hex Key 3/8
Material Aluminum
Plating Type Unplated
UPC 12 Digit 781810287392

Logistics

Minimum Pack Quantity 1
Pallet Quantity 540
Carton Quantity 20

Operational

Temperature Rating 194

Product Assets

[Catalog \[English\]](#)
[Catalog \[English\]](#)



A Hubbell brand

© 2026 Hubbell Incorporated. All rights reserved
BRDY-IPLD60010-SPEC-EN | REV 5/2026