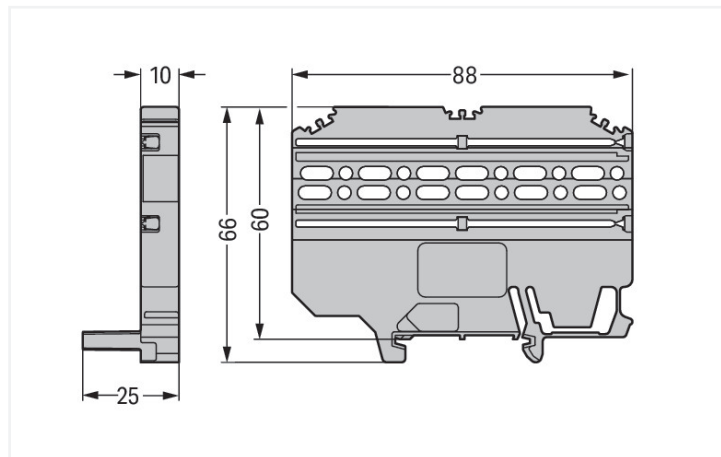
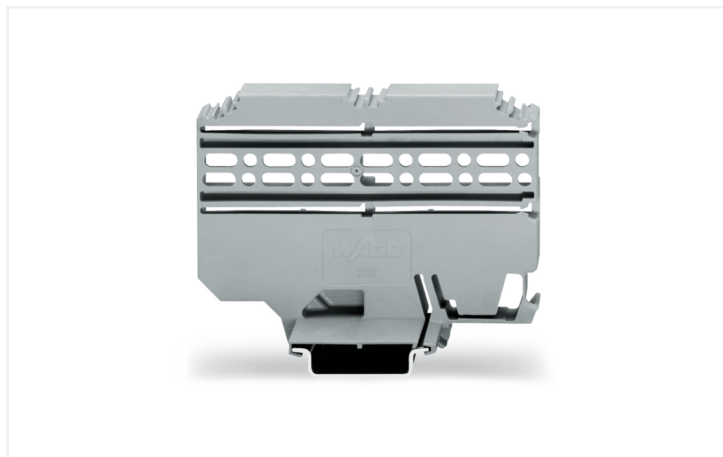


Data Sheet | Item Number: 209-148

Multi mounting adapter; for female and male connectors; 25 mm wide; 3 parts; gray

<https://www.wago.com/209-148>



Color: ■ gray

Dimensions in mm

Physical data

Width	25 mm / 0.984 inches
Height	60 mm / 2.362 inches
Depth	88 mm / 3.465 inches

Mechanical data

Mounting type	Snap-in foot
Mounting type	DIN-35 rail
Suitable	for male and female connectors with snap-in mounting feet

Material data

Note (material data)	Information on material specifications can be found here
Color	gray
Material group	I
Insulation material (main housing)	Polyamide (PA66)
Flammability class per UL94	V0
Fire load	0.412 MJ
Weight	15.3 g

Commercial data

Product Group	2 (Terminal Block Accessories)
PU (SPU)	25 pcs
Packaging type	Box
Country of origin	PL
GTIN	4017332968829
Customs tariff number	39269097900

Product Classification	
UNSPSC	39121702
eCl@ss 10.0	27-14-11-92
eCl@ss 9.0	27-14-11-92
ETIM 9.0	EC002848
ETIM 10.0	EC002848
ECCN	NO US CLASSIFICATION

Environmental Product Compliance	
RoHS Compliance Status	Compliant, No Exemption

Downloads

Environmental Product Compliance

Compliance Search	
Environmental Product Compliance 209-148	↓

Documentation

Additional Information			
Technical Section	03.04.2019	pdf 2027.26 KB	↓

CAD/CAE-Data

CAD data	
2D/3D Models 209-148	↓

CAE data	
EPLAN Data Portal 209-148	↓
WSCAD Universe 209-148	↓
ZUKEN Portal 209-148	↓

1 Compatible Products

1.1 Optional Accessories

1.1.1 Female connector

1.1.1.1 Female connector/socket



Item No.: 721-310/008-000
 1-conductor female connector, angled; CAGE CLAMP®; 2.5 mm²; Pin spacing 5 mm; 10-pole; 100% protected against mismatching; Snap-in mounting feet; 2,50 mm²; light gray

Item No.: 731-510/008-000
 1-conductor female connector, angled; CAGE CLAMP®; 2.5 mm²; Pin spacing 5 mm; 10-pole; Snap-in mounting feet; 2,50 mm²; gray

Item No.: 721-312/008-000
 1-conductor female connector, angled; CAGE CLAMP®; 2.5 mm²; Pin spacing 5 mm; 12-pole; 100% protected against mismatching; Snap-in mounting feet; 2,50 mm²; light gray

Item No.: 731-512/008-000
 1-conductor female connector, angled; CAGE CLAMP®; 2.5 mm²; Pin spacing 5 mm; 12-pole; Snap-in mounting feet; 2,50 mm²; gray

1.1.1.1 Female connector/socket



Item No.: 721-207/008-000
1-conductor female connector; CAGE CLAMP®; 2.5 mm²; Pin spacing 7.5 mm; 7-pole; 100% protected against mismatching; Snap-in mounting feet; 2,50 mm²; light gray



Item No.: 231-207/008-000
1-conductor female connector; CAGE CLAMP®; 2.5 mm²; Pin spacing 7.5 mm; 7-pole; Snap-in mounting feet; gray



Item No.: 721-208/008-000
1-conductor female connector; CAGE CLAMP®; 2.5 mm²; Pin spacing 7.5 mm; 8-pole; 100% protected against mismatching; Snap-in mounting feet; 2,50 mm²; light gray



Item No.: 231-208/008-000
1-conductor female connector; CAGE CLAMP®; 2.5 mm²; Pin spacing 7.5 mm; 8-pole; Snap-in mounting feet; gray



Item No.: 721-209/008-000
1-conductor female connector; CAGE CLAMP®; 2.5 mm²; Pin spacing 7.5 mm; 9-pole; 100% protected against mismatching; Snap-in mounting feet; 2,50 mm²; light gray



Item No.: 231-209/008-000
1-conductor female connector; CAGE CLAMP®; 2.5 mm²; Pin spacing 7.5 mm; 9-pole; Snap-in mounting feet; gray



Item No.: 231-710/008-000
1-conductor female connector; CAGE CLAMP®; 2.5 mm²; Pin spacing 7.62 mm; 10-pole; Snap-in mounting feet; orange



Item No.: 231-711/008-000
1-conductor female connector; CAGE CLAMP®; 2.5 mm²; Pin spacing 7.62 mm; 11-pole; Snap-in mounting feet; orange



Item No.: 231-712/008-000
1-conductor female connector; CAGE CLAMP®; 2.5 mm²; Pin spacing 7.62 mm; 12-pole; Snap-in mounting feet; orange



Item No.: 231-702/008-000
1-conductor female connector; CAGE CLAMP®; 2.5 mm²; Pin spacing 7.62 mm; 2-pole; Snap-in mounting feet; orange



Item No.: 231-703/008-000
1-conductor female connector; CAGE CLAMP®; 2.5 mm²; Pin spacing 7.62 mm; 3-pole; Snap-in mounting feet; orange



Item No.: 231-704/008-000
1-conductor female connector; CAGE CLAMP®; 2.5 mm²; Pin spacing 7.62 mm; 4-pole; Snap-in mounting feet; orange



Item No.: 231-705/008-000
1-conductor female connector; CAGE CLAMP®; 2.5 mm²; Pin spacing 7.62 mm; 5-pole; Snap-in mounting feet; orange



Item No.: 231-706/008-000
1-conductor female connector; CAGE CLAMP®; 2.5 mm²; Pin spacing 7.62 mm; 6-pole; Snap-in mounting feet; orange



Item No.: 231-707/008-000
1-conductor female connector; CAGE CLAMP®; 2.5 mm²; Pin spacing 7.62 mm; 7-pole; Snap-in mounting feet; orange



Item No.: 231-708/008-000
1-conductor female connector; CAGE CLAMP®; 2.5 mm²; Pin spacing 7.62 mm; 8-pole; Snap-in mounting feet; orange



Item No.: 231-709/008-000
1-conductor female connector; CAGE CLAMP®; 2.5 mm²; Pin spacing 7.62 mm; 9-pole; Snap-in mounting feet; orange

1.1.2 Mounting adapter

1.1.2.1 Male connector/plug



Item No.: 231-610/018-000
1-conductor male connector; CAGE CLAMP®; 2.5 mm²; Pin spacing 5 mm; 10-pole; DIN-35 rail/panel mounting; Snap-in mounting feet; gray



Item No.: 231-611/018-000
1-conductor male connector; CAGE CLAMP®; 2.5 mm²; Pin spacing 5 mm; 11-pole; DIN-35 rail/panel mounting; Snap-in mounting feet; gray



Item No.: 231-612/018-000
1-conductor male connector; CAGE CLAMP®; 2.5 mm²; Pin spacing 5 mm; 12-pole; DIN-35 rail/panel mounting; Snap-in mounting feet; gray



Item No.: 231-613/018-000
1-conductor male connector; CAGE CLAMP®; 2.5 mm²; Pin spacing 5 mm; 13-pole; DIN-35 rail/panel mounting; Snap-in mounting feet; gray



Item No.: 231-614/018-000
1-conductor male connector; CAGE CLAMP®; 2.5 mm²; Pin spacing 5 mm; 14-pole; DIN-35 rail/panel mounting; Snap-in mounting feet; gray



Item No.: 231-615/018-000
1-conductor male connector; CAGE CLAMP®; 2.5 mm²; Pin spacing 5 mm; 15-pole; DIN-35 rail/panel mounting; Snap-in mounting feet; gray



Item No.: 231-616/018-000
1-conductor male connector; CAGE CLAMP®; 2.5 mm²; Pin spacing 5 mm; 16-pole; DIN-35 rail/panel mounting; Snap-in mounting feet; gray



Item No.: 231-617/018-000
1-conductor male connector; CAGE CLAMP®; 2.5 mm²; Pin spacing 5 mm; 17-pole; DIN-35 rail/panel mounting; Snap-in mounting feet; gray



Item No.: 231-602/018-000
1-conductor male connector; CAGE CLAMP®; 2.5 mm²; Pin spacing 5 mm; 2-pole; DIN-35 rail/panel mounting; Snap-in mounting feet; gray



Item No.: 231-603/018-000
1-conductor male connector; CAGE CLAMP®; 2.5 mm²; Pin spacing 5 mm; 3-pole; DIN-35 rail/panel mounting; Snap-in mounting feet; gray



Item No.: 231-604/018-000
1-conductor male connector; CAGE CLAMP®; 2.5 mm²; Pin spacing 5 mm; 4-pole; DIN-35 rail/panel mounting; Snap-in mounting feet; gray



Item No.: 231-605/018-000
1-conductor male connector; CAGE CLAMP®; 2.5 mm²; Pin spacing 5 mm; 5-pole; DIN-35 rail/panel mounting; Snap-in mounting feet; gray



Item No.: 231-606/018-000
1-conductor male connector; CAGE CLAMP®; 2.5 mm²; Pin spacing 5 mm; 6-pole; DIN-35 rail/panel mounting; Snap-in mounting feet; gray



Item No.: 231-607/018-000
1-conductor male connector; CAGE CLAMP®; 2.5 mm²; Pin spacing 5 mm; 7-pole; DIN-35 rail/panel mounting; Snap-in mounting feet; gray



Item No.: 231-608/018-000
1-conductor male connector; CAGE CLAMP®; 2.5 mm²; Pin spacing 5 mm; 8-pole; DIN-35 rail/panel mounting; Snap-in mounting feet; gray



Item No.: 231-609/018-000
1-conductor male connector; CAGE CLAMP®; 2.5 mm²; Pin spacing 5 mm; 9-pole; DIN-35 rail/panel mounting; Snap-in mounting feet; gray

1.1.2.1 Male connector/plug



Item No.: 231-640/018-000

1-conductor male connector; CAGE CLAMP®; 2.5 mm²; Pin spacing 5.08 mm; 10-pole; DIN-35 rail/panel mounting; Snap-in mounting feet; orange



Item No.: 231-641/018-000

1-conductor male connector; CAGE CLAMP®; 2.5 mm²; Pin spacing 5.08 mm; 11-pole; DIN-35 rail/panel mounting; Snap-in mounting feet; orange



Item No.: 231-642/018-000

1-conductor male connector; CAGE CLAMP®; 2.5 mm²; Pin spacing 5.08 mm; 12-pole; DIN-35 rail/panel mounting; Snap-in mounting feet; orange



Item No.: 231-643/018-000

1-conductor male connector; CAGE CLAMP®; 2.5 mm²; Pin spacing 5.08 mm; 13-pole; DIN-35 rail/panel mounting; Snap-in mounting feet; orange



Item No.: 231-644/018-000

1-conductor male connector; CAGE CLAMP®; 2.5 mm²; Pin spacing 5.08 mm; 14-pole; DIN-35 rail/panel mounting; Snap-in mounting feet; orange



Item No.: 231-645/018-000

1-conductor male connector; CAGE CLAMP®; 2.5 mm²; Pin spacing 5.08 mm; 15-pole; DIN-35 rail/panel mounting; Snap-in mounting feet; orange



Item No.: 231-646/018-000

1-conductor male connector; CAGE CLAMP®; 2.5 mm²; Pin spacing 5.08 mm; 16-pole; DIN-35 rail/panel mounting; Snap-in mounting feet; orange



Item No.: 231-632/018-000

1-conductor male connector; CAGE CLAMP®; 2.5 mm²; Pin spacing 5.08 mm; 2-pole; DIN-35 rail/panel mounting; Snap-in mounting feet; orange



Item No.: 231-633/018-000

1-conductor male connector; CAGE CLAMP®; 2.5 mm²; Pin spacing 5.08 mm; 3-pole; DIN-35 rail/panel mounting; Snap-in mounting feet; orange



Item No.: 231-634/018-000

1-conductor male connector; CAGE CLAMP®; 2.5 mm²; Pin spacing 5.08 mm; 4-pole; DIN-35 rail/panel mounting; Snap-in mounting feet; orange



Item No.: 231-635/018-000

1-conductor male connector; CAGE CLAMP®; 2.5 mm²; Pin spacing 5.08 mm; 5-pole; DIN-35 rail/panel mounting; Snap-in mounting feet; orange



Item No.: 231-636/018-000

1-conductor male connector; CAGE CLAMP®; 2.5 mm²; Pin spacing 5.08 mm; 6-pole; DIN-35 rail/panel mounting; Snap-in mounting feet; orange



Item No.: 231-637/018-000

1-conductor male connector; CAGE CLAMP®; 2.5 mm²; Pin spacing 5.08 mm; 7-pole; DIN-35 rail/panel mounting; Snap-in mounting feet; orange



Item No.: 231-638/018-000

1-conductor male connector; CAGE CLAMP®; 2.5 mm²; Pin spacing 5.08 mm; 8-pole; DIN-35 rail/panel mounting; Snap-in mounting feet; orange



Item No.: 231-639/018-000

1-conductor male connector; CAGE CLAMP®; 2.5 mm²; Pin spacing 5.08 mm; 9-pole; DIN-35 rail/panel mounting; Snap-in mounting feet; orange

1.1.3 Shield termination

1.1.3.1 Shield clamping saddles

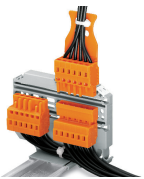


Item No.: 790-108

Shield clamping saddle; 11 mm wide; diameter of compatible conductor; 3 ... 8 mm

Installation Notes

Application

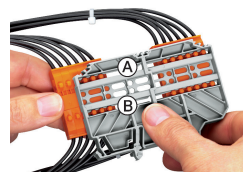
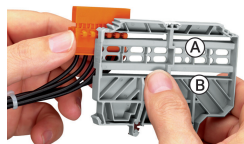
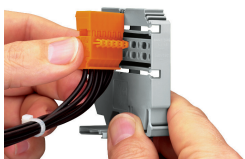


The pluggable male or female connector can also be fitted with a strain relief plate.



The adapter can be marked either with WSB, Mini-WSB or WMB markers.

Installation



Both male and female connectors remain pluggable when they are mounted on the multi mounting adapter via its oblong holes or open grooves (A/B).

If a connector is pushed from the side into the open grooves (A/B) of the multi mounting adapter, the plug connection will be reliably protected from unintentional disconnection when mounted.

Subject to changes. Please also observe the further product documentation!

Current addresses can be found at: www.wago.com