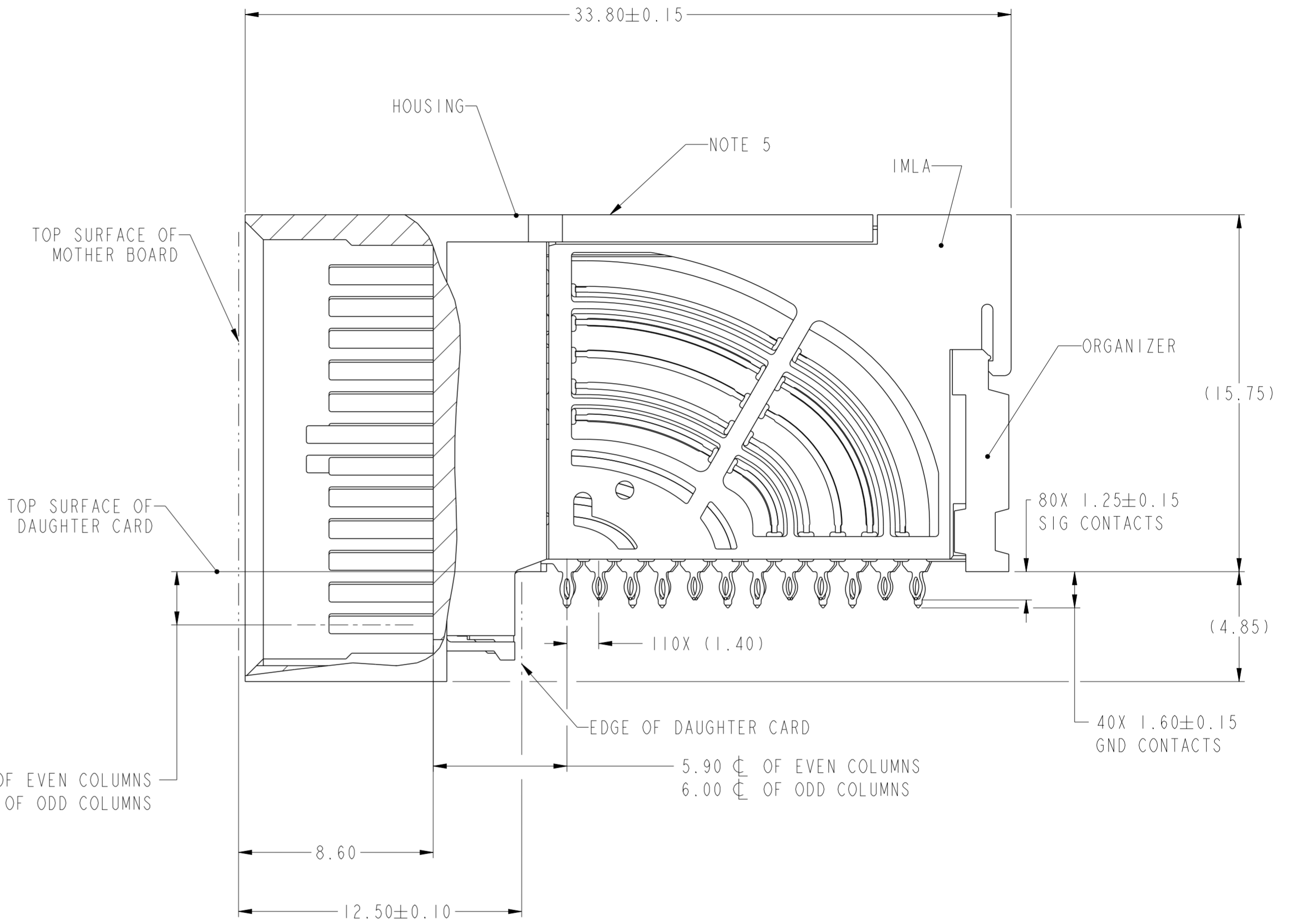
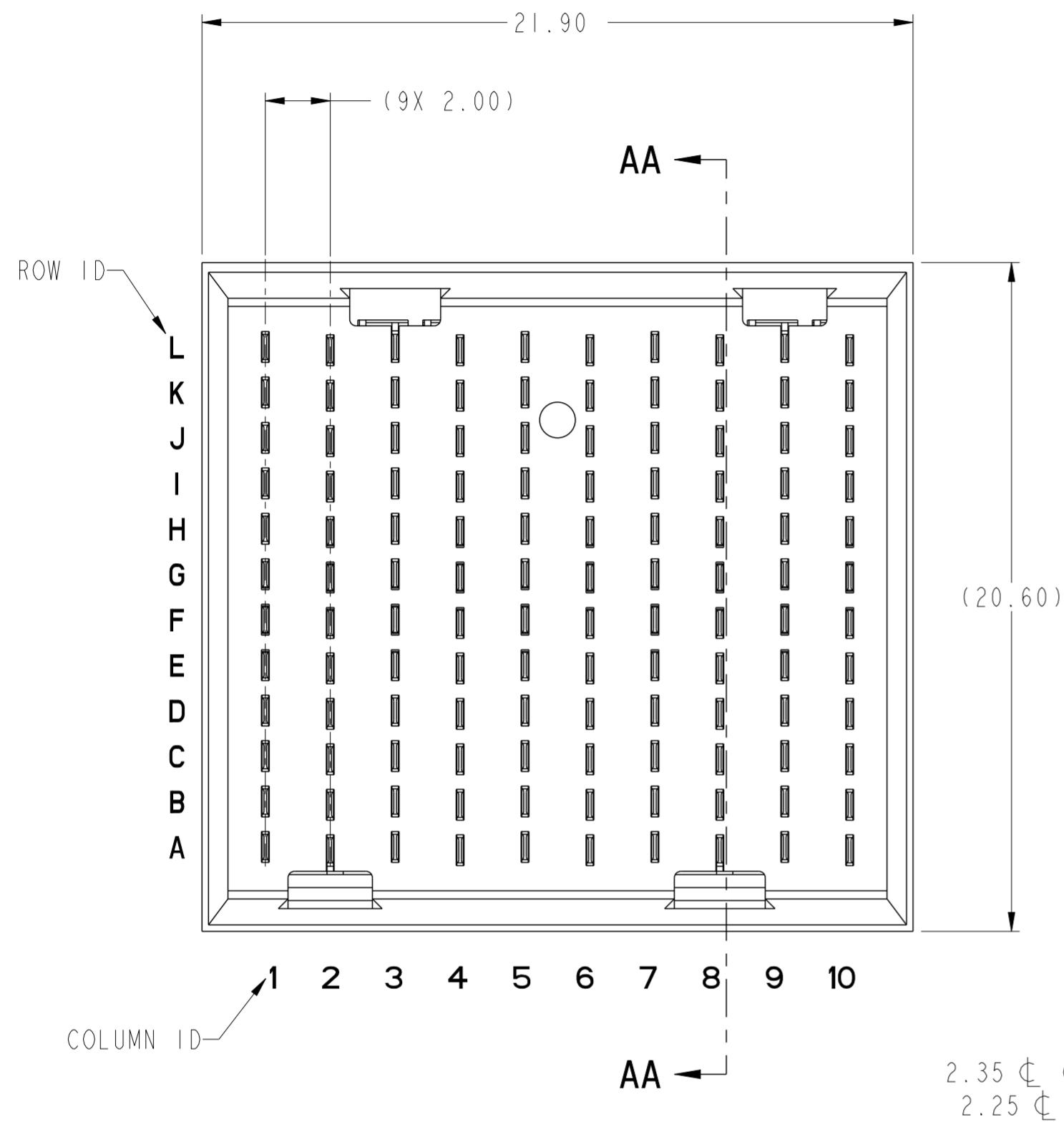


PRODUCT NUMBER
SEE SHEET 3



SECTION AA-AA

| | | | | | | | | | | |
|---------------------------------------|-------------|---------|--------------|------------|---------------------|----|------------------------|------------------------|-----------|----------|
| spec ref | --- | dr | Lin-Soo Ngwe | 2013/01/23 | projection | MM | size | A2 | scale | 10:1 |
| tolerance std | ASME Y14.5M | eng | Terry Luo | 2020/09/08 | | | ecn no | ELX-DG-38252-1 | | |
| TOLERANCES UNLESS OTHERWISE SPECIFIED | | chr | - | appr | | | Heaven Cen | 2020/09/17 | rel level | Released |
| surface | - | linear | 0.X | ±.3 | | | product family | - | | |
| | | | 0.XX | ±.10 | Amphenol FCI | | title | AirMax VS2 R.A. HEADER | | |
| | | | 0.XXX | ±.050 | | | part no | 10124150 | | |
| | | angular | 0° | ±2° | | | cat. no. | - | | |
| | | | | | | | Product - Customer Drw | sheet 1 of 3 | | |

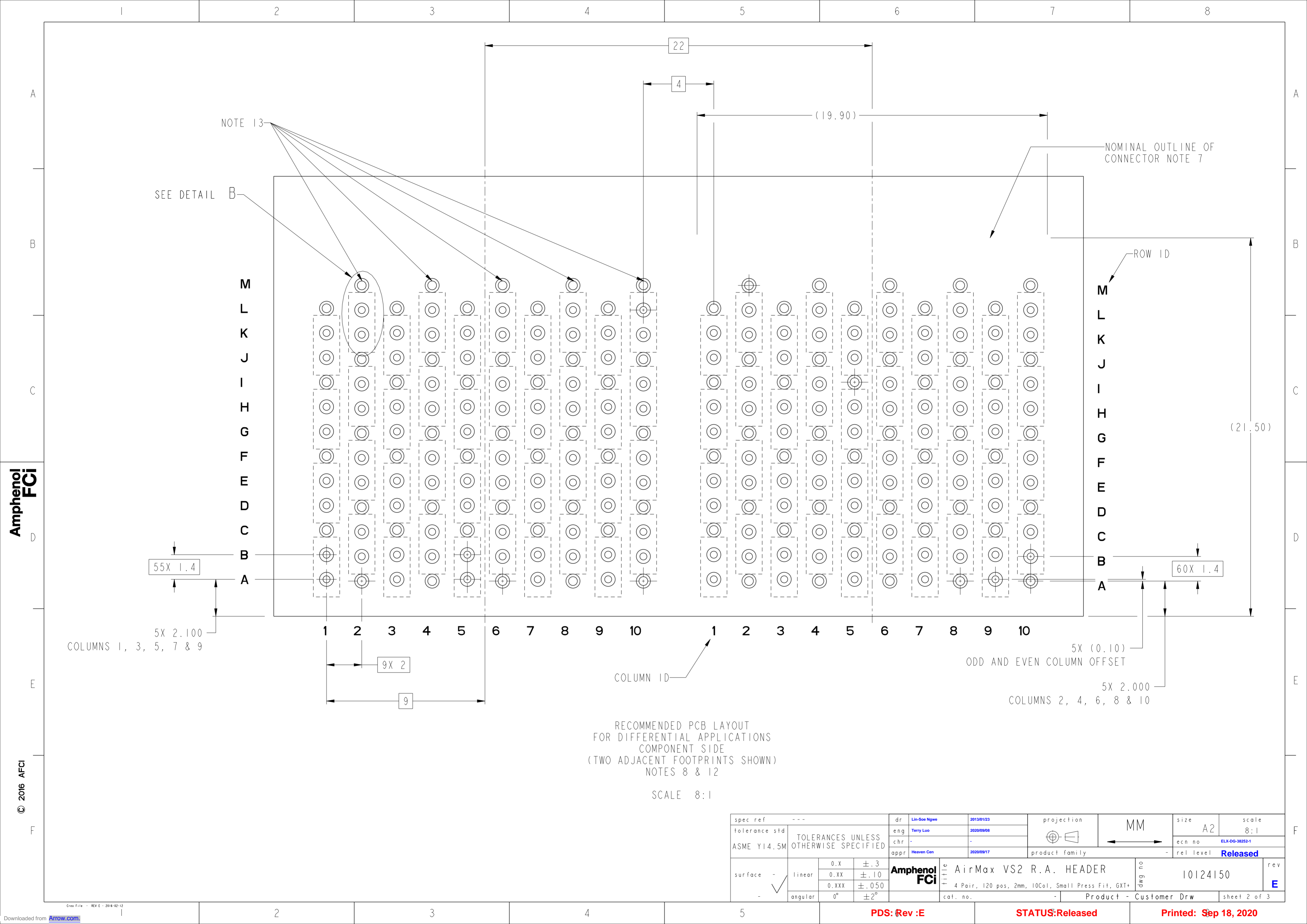
PDS: Rev :E

STATUS:Released

Printed: Sep 18, 2020

Amphenol FCI

© 2016 AFCl



NOTE 13

SEE DETAIL B

NOMINAL OUTLINE OF CONNECTOR NOTE 7

ROW ID

M
L
K
J
I
H
G
F
E
D
C
B
A

M
L
K
J
I
H
G
F
E
D
C
B
A

(21.50)

55X 1.4

60X 1.4

5X 2.100
COLUMNS 1, 3, 5, 7 & 9

5X (0.10)
ODD AND EVEN COLUMN OFFSET

5X 2.000
COLUMNS 2, 4, 6, 8 & 10

1 2 3 4 5 6 7 8 9 10
9X 2
9

COLUMN ID

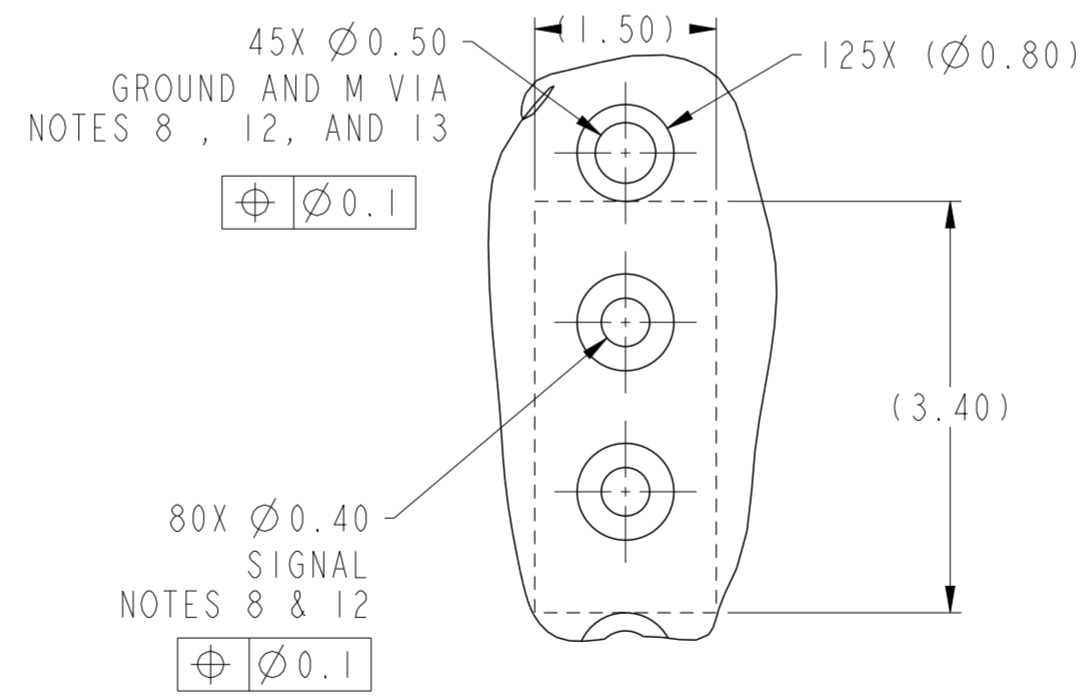
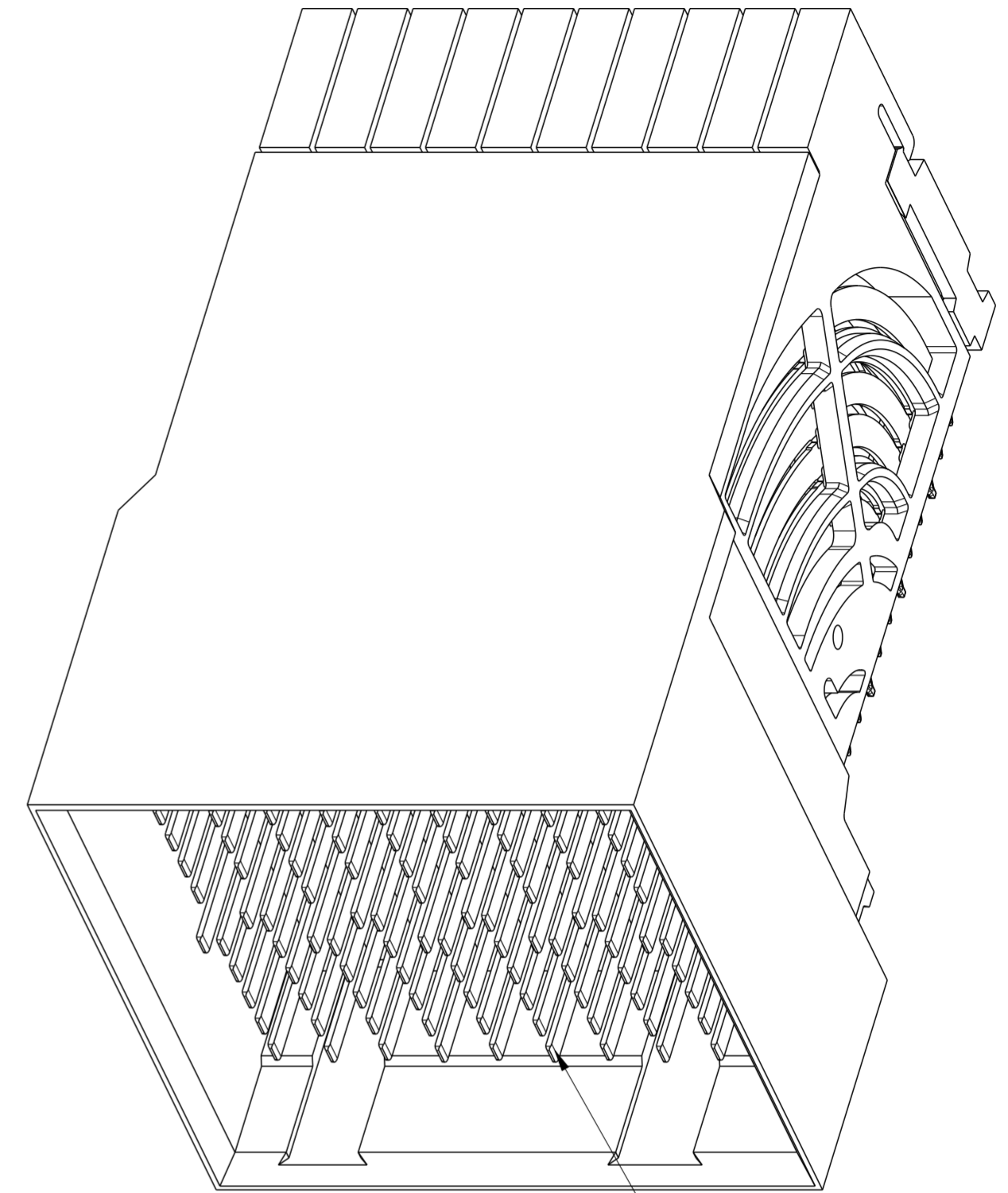
RECOMMENDED PCB LAYOUT
FOR DIFFERENTIAL APPLICATIONS
COMPONENT SIDE
(TWO ADJACENT FOOTPRINTS SHOWN)
NOTES 8 & 12

SCALE 8:1

| | | | | | | | | | | | |
|---------------------------------------|-------------|---------|--------------|------------|---------------------|----|------------------------|------------------------|-----------|----------|---|
| spec ref | --- | dr | Lin-Soo Ngwe | 2013/01/23 | projection | MM | size | A2 | scale | 8:1 | |
| tolerance std | ASME Y14.5M | eng | Terry Luo | 2020/09/08 | | | ecn no | ELX-DG-38252-1 | | | |
| TOLERANCES UNLESS OTHERWISE SPECIFIED | | chr | - | appr | | | Heaven Cen | 2020/09/17 | rel level | Released | |
| surface | - | linear | 0.X | ±.3 | Amphenol FCI | | product family | - | | | |
| | | | 0.XX | ±.10 | Amphenol FCI | | title | AirMax VS2 R.A. HEADER | | | |
| | | | 0.XXX | ±.050 | Amphenol FCI | | part no | 10124150 | | | |
| | | angular | 0° | ±2° | Amphenol FCI | | cat. no. | - | | | |
| | | | | | | | Product - Customer Drw | sheet 2 of 3 | | rev | E |

| PRODUCT NUMBER | PRESS-FIT TAIL PLATING TYPE | REMARK |
|----------------|-----------------------------|-----------------------------------|
| 10124150 -101 | TIN/LEAD ALLOY OVER NICKEL | 1-SIDE PLATING (CUSTOMER SPECIAL) |
| 10124150-101LF | TIN OVER NICKEL (LEAD FREE) | |
| 10124150-102 | TIN/LEAD ALLOY OVER NICKEL | 2-SIDES PLATING |
| 10124150-102LF | TIN OVER NICKEL (LEAD FREE) | |

- 1 - CONNECTOR MATERIALS:
HOUSING: HIGH TEMP THERMOPLASTIC, NATURAL UL94-V0
IMLA PLASTIC: HIGH TEMP THERMOPLASTIC, BLACK, UL94-V0
CONTACT: COPPER ALLOY
ORGANIZER: HIGH TEMP THERMOPLASTIC, NATURAL, UL94-V0
- 2 - CONTACT PLATING:
SEPARABLE INTERFACE:
GXT PLUS PLATING, QUALIFIED TO MEET THE REQUIREMENTS OF FCI PRODUCT SPECIFICATION GS-12-0956 INCLUDING TELCORDIA GR-1217-CORE (NOVEMBER 1995) CENTRAL OFFICE TEST SEQUENCE
- PRESS-FIT TAILS: SEE TABLE
- 3 - PRODUCT SPECIFICATION: GS-12-0956
- 4 - APPLICATION SPECIFICATION: GS-20-0305
- 5 - PRODUCT MARKING, (PROTOTYPE, PART NUMBER & LOT CODE), ON THIS SURFACE.
- 6 - POSITIONS "F" OF ODD NUMBERED COLUMNS AND POSITIONS "G" OF EVEN NUMBERED COLUMNS CORRESPOND TO EARLY MATE HEADER PINS.
- 7 - CONNECTOR OUTLINE MAY BE SCREEN PRINTED ONTO CUSTOMER PCB TO BE USED AS A GUIDE FOR CONNECTOR PLACEMENT.
- 8 - REFER TO CUSTOMER DRAWING 10104444 FOR INFORMATION ON PCB HOLE DIAMETERS AND PLATING OPTIONS
- 9 - LEAD FREE PRODUCT MEETS THE EUROPEAN UNION DIRECTIVES & OTHER COUNTRY REGULATIONS AS DESCRIBED IN GS-22-008
- 10 - A \triangle SYMBOL WILL BE NEXT TO ANY DIMENSION, VIEW OR NOTE, WHICH HAS BEEN MODIFIED WITH THE CURRENT DRAWING REVISION.
- 11 - PACKAGING MEETS GS-14-920 LEAD FREE LABELING SPECIFICATION.
- 12 - GROUND CONTACTS (C, F, I & L IN ODD COLUMNS AND A, D, G & J IN EVEN COLUMNS) REQUIRE ($\varnothing 0.50$) FINISHED HOLES. SIGNAL LOCATIONS REQUIRE ($\varnothing 0.40$) FINISHED HOLES
- 13 - THESE OUTER VIAS (M) ARE OPTIONAL. WHILE NO CONNECTOR PINS ARE PRESSED INTO THESE HOLES WE RECOMMEND ($\varnothing 0.500$) FINISHED HOLES AT THESE LOCATIONS TO PROVIDE GROUND SYMMETRY THROUGH THE PCB.



DETAIL B
SCALE 16:1

10124150-101 OR -101LF
10124150-102 OR -102LF

| | | | | | | | | | | |
|---------------------------------------|-------------|---------|--------------|------------|----------------|------------------------|--|----------------|-----------|----------|
| spec ref | --- | dr | Lin-Soe Ngwe | 2013/01/23 | projection | MM | size | A2 | scale | 10:1 |
| tolerance std | ASME Y14.5M | eng | Terry Luo | 2020/09/08 | chr | - | ecn no | ELX-DG-38252-1 | rel level | Released |
| TOLERANCES UNLESS OTHERWISE SPECIFIED | | appr | Heaven Cen | 2020/09/17 | product family | - | rel level | Released | | |
| surface | - | linear | 0.X | ±.3 | Amphenol FCI | AirMax VS2 R.A. HEADER | 4 Pair, 120 pos, 2mm, 10Col, Small Press Fit, GXT+ | 10124150 | E | rev |
| | | | 0.XX | ±.10 | | | | | | |
| | | | 0.XXX | ±.050 | | | | | | |
| | | angular | 0° | ±2° | cat. no. | - | Product - Customer Drw | sheet 3 of 3 | | |