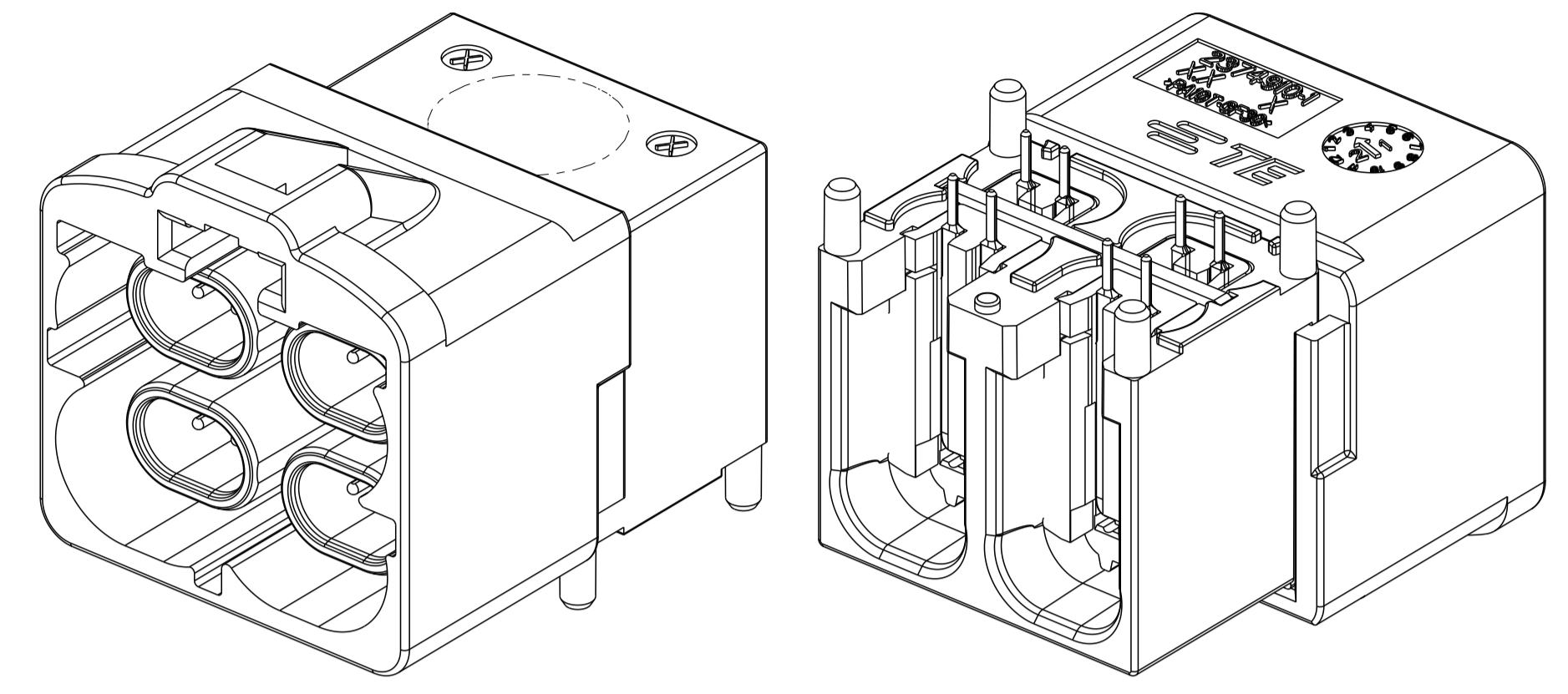
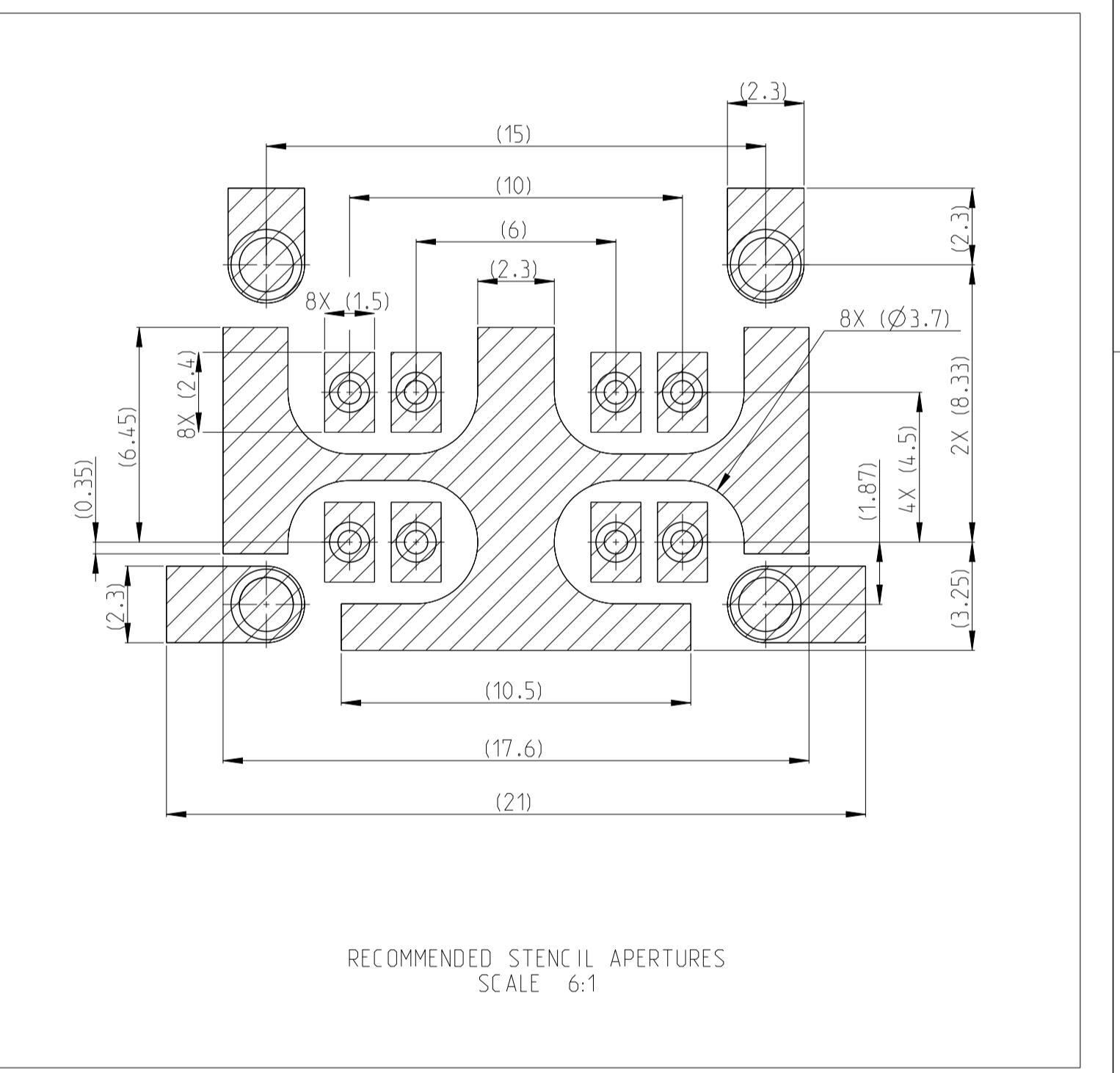
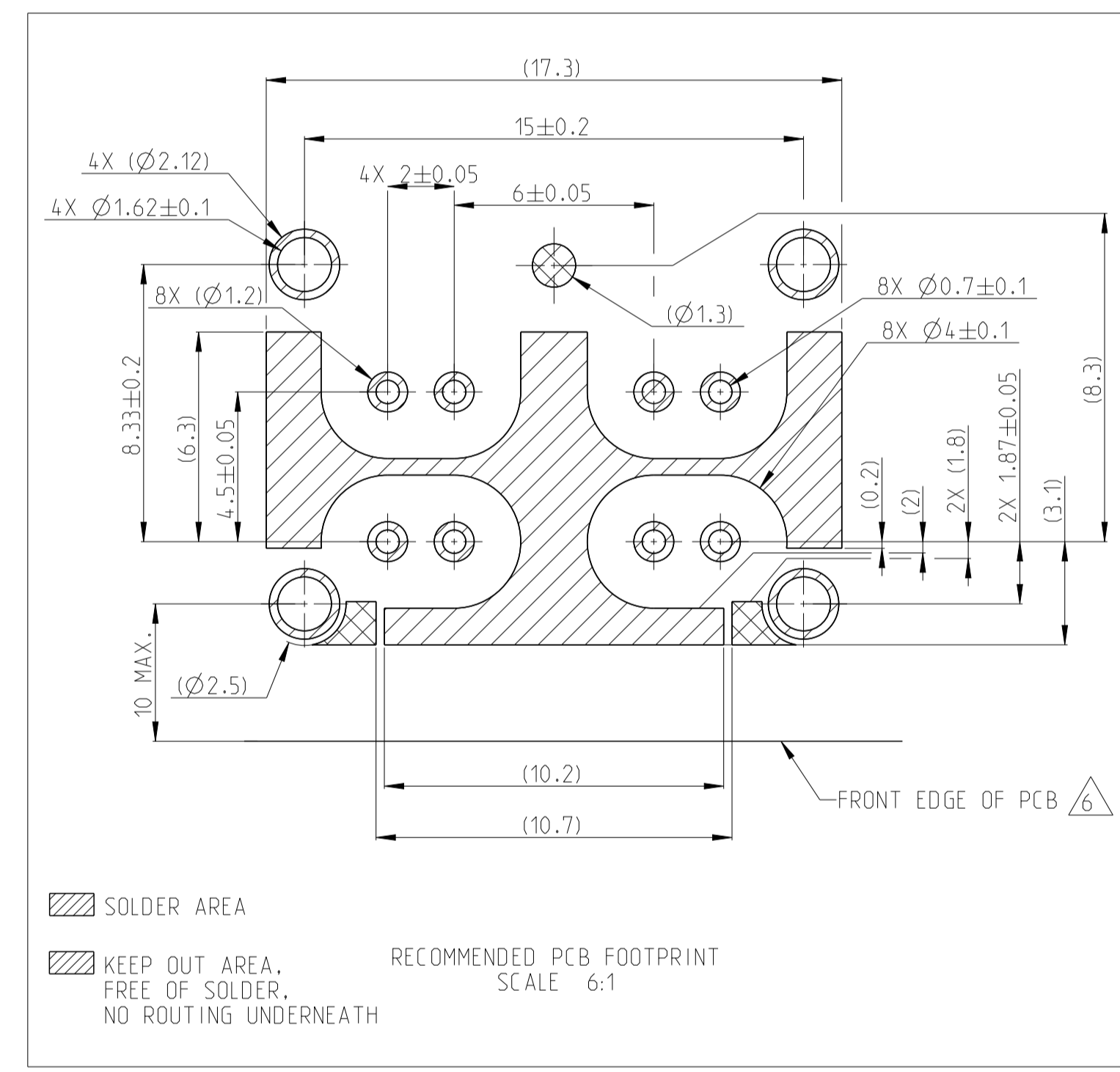
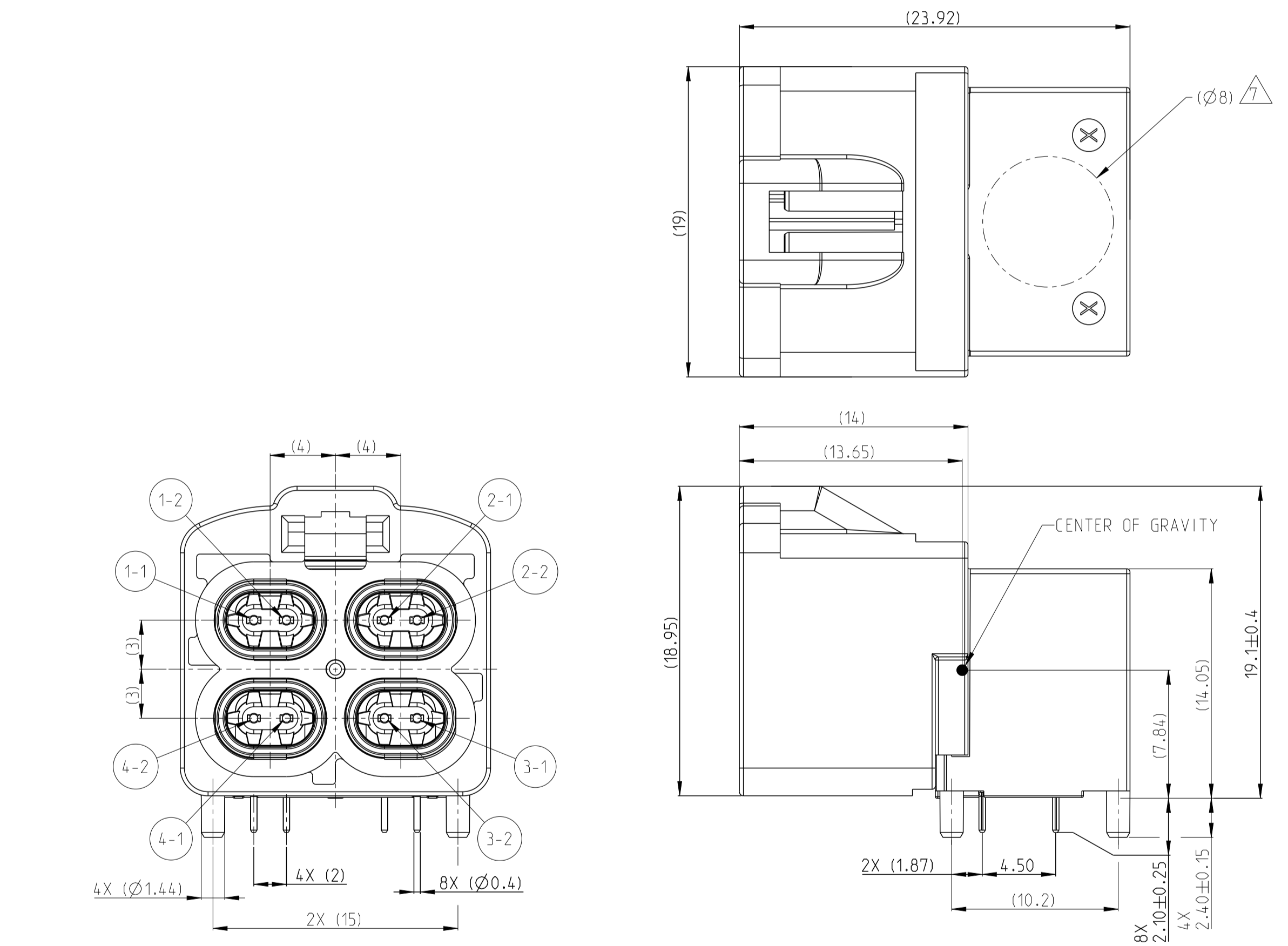


REVISIONS					
P	LTN	DESCRIPTION	DATE	OWN	APVD
A6		REVISED PER ECN-23-212483	12MAY23	A.Z	C.P
A7		REVISED PER ECN-23-213020	16MAY23	A.Z	C.P
AB		REVISED PER ECN-23-222591	19JUL23	A.Z	C.P
B		UPDATE INFO. ON DRAWING	01DEC25	A.Z	C.P



ISOMETRIC VIEW
SCALE 4:1



- 1 2374900-1 AS SHOWN.
- 2 CONTACT: COPPER ALLOY
HOUSING: HIGH TEMP POLYAMIDE
DIELECTRIC: HIGH TEMP LCP
DIECAST: ZINC ALLOY.
- 3 PIN CONTACT - 0.38µm MIN GOLD ON INTERFACE END, 3.0µm MIN TIN ON SOLDER END, BOTH OVER 1.3µm MIN NICKEL.
OUTER SHELL - 3.0µm MIN TIN OVER 1.3µm MIN NICKEL.
- 4 MASS = 14.26g.
- 5 INTERFACE DESIGNED AROUND 100 Ohm DIFFERENTIAL SIGNAL.
- 6 PCB EDGE SHOULD NOT EXCEED THE FRONT SURFACE OF CONNECTOR HOUSING.
- 7 VACUUM ABSORPTION AREA.
- 8 THE THICKNESS OF RECOMMENDED PCB 1.5MM MIN.

3	WATER BLUE	Z	1-2374900-4
	LIGHT GREEN	O	1-2374900-3
	PASTEL ORANGE	M	1-2374900-2
	YELLOW GREEN	L	1-2374900-1
	CURRY	K	1-2374900-0
	BEIGE	J	2374900-9
	LIGHT PINK	H	2374900-8
	PLATINUM GREY	G	2374900-7
	NUT BROWN	F	2374900-6
	MAY GREEN	E	2374900-5
CLARET VIOLET	D	2374900-4	
LIGHT BLUE	C	2374900-3	
PURE WHITE	B	2374900-2	
JET BLACK	A	2374900-1	
FINISH	HOUSING COLOR	KEYING CODE	PART NUMBER

THIS DRAWING IS A CONTROLLED DOCUMENT.

DIMENSIONS: mm	TOLERANCES UNLESS OTHERWISE SPECIFIED	DWN: A.ZHAO 19JUL2023 CHK: D.ZHU 19JUL2023 APVD: L.PAN 19JUL2023	
0 PLC ±0.1 1 PLC ±0.05 2 PLC ±0.05 3 PLC ±0.05 4 PCC ±0.001 ANGLES		NAME: GEMnet 4P 90DEG HEADER PRODUCT SPEC: 108-160131 APPLICATION SPEC: 116-160325	SIZE: A CAGE CODE: 00779 DRAWING NO: 2374900
MATERIAL: 2		WEIGHT: 14.26g	RESTRICTED TO: -
SEE TABLE		CUSTOMER DRAWING	SCALE: 2:1 SHEET 1 OF 1 REV B