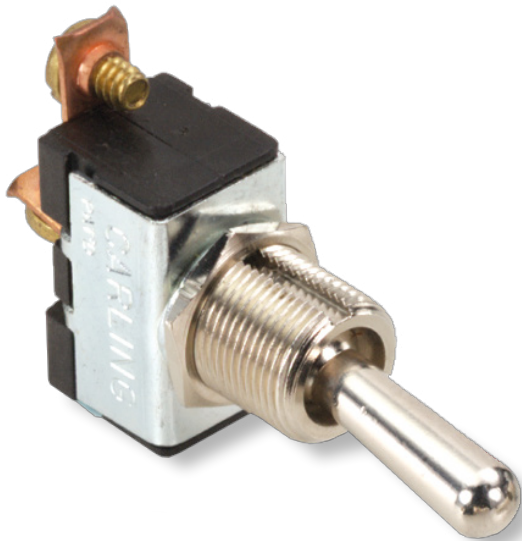
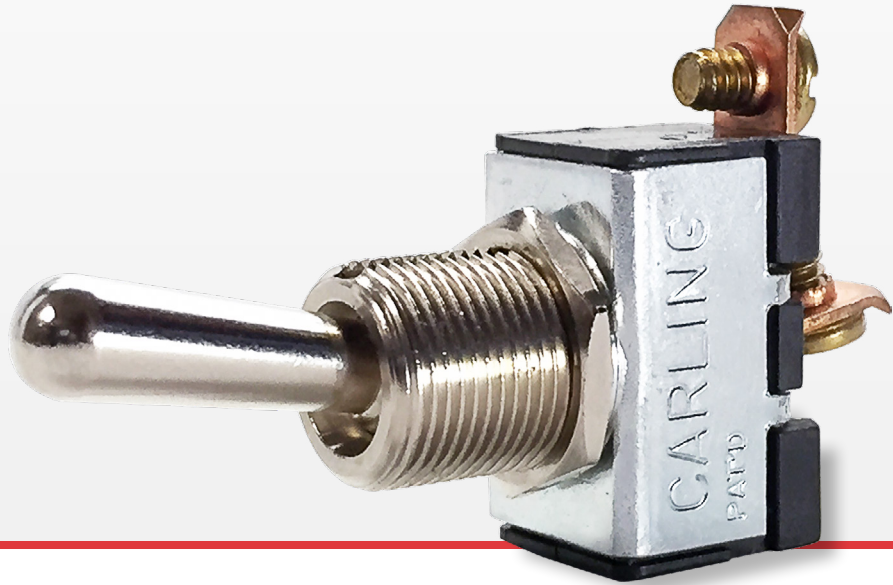


C-Series

Single Pole Toggle Switches

PRODUCT WEBPAGE

request sample, configure part



The C-Series single pole compact high current toggle switches are ideal for applications with back panel size constraints. These switches feature self-cleaning contacts and ratings up to 20A 125VAC, 10A 250VAC, 1 1/2 HP 125-250VAC. With a rugged metal construction, these switches figure prominently in markets with stringent current carrying requirements.

1	10-20	125, 250
Pole	Amps	VAC

Typical Applications

- Environmental Controls
- Marine
- Food Service
- Vacuum Cleaners

Tech Specs

Dielectric Strength

1000V - live to dead metal parts and opposite polarity.

Electrical Life

25,000 cycles

Operating Temperature

32°F to 185°F (0°C to 85°C)

Ordering Scheme

Sample Part Number CA201 73
 Selection 1 2

1. SERIES

10A 250VAC, 20A 125VAC, 11/2 HP 125-250VAC
 Single Pole Solder Lug .250 Tab Screw Term. Wire Leads
 On-None-Off CA200 CA201 CA204 CA205
 On-None-On CB200 CB201 CB204 CB205

Additional toggle styles available. Consult factory.

2. KNOB COLOR

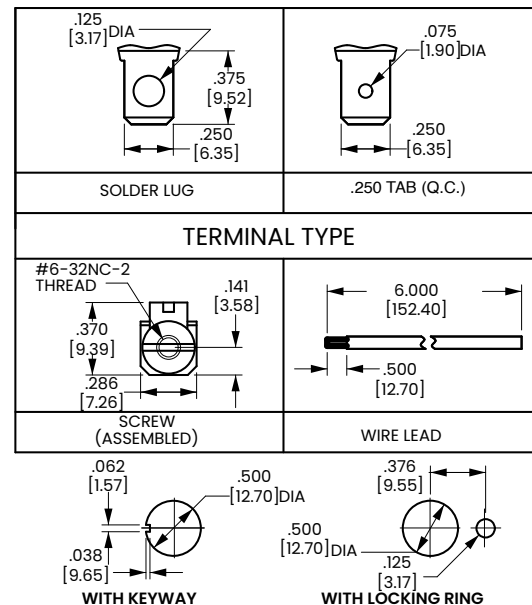
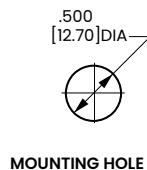
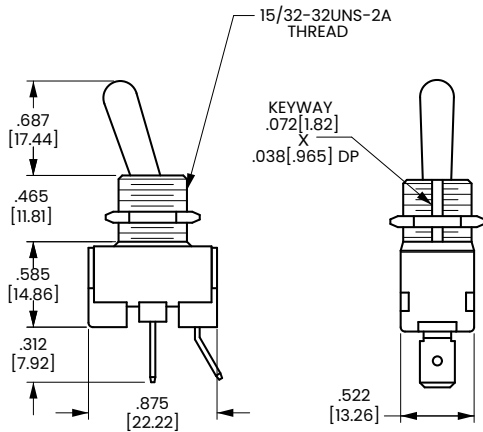
BAT	unsealed 73	sealed 78	toggle length 0.687	bushing length 0.465
-----	----------------	--------------	------------------------	-------------------------

[Configure Complete Part Number >](#)

[Browse Standard Parts >](#)

Dimensional Specs

inches [millimeters]



Authorized Sales Representatives and Distributors

Click on a region of the map below to find your local representatives and distributors or visit www.carlingtech.com/findarep.



About Carling

Founded in 1920, Carling Technologies is a leading manufacturer of electrical and electronic switches and assemblies, circuit breakers, electronic controls, power distribution units, and multiplexed power distribution systems. With six ISO9001 and IATF16949 registered manufacturing facilities and technical sales offices worldwide, Carling Technologies Sales, Service and Engineering teams do much more than manufacture electrical components, they engineer powerful solutions! To learn more about Carling please visit www.carlingtech.com/company-profile.

To view all of Carling's environmental, quality, health & safety certifications please visit www.carlingtech.com/environmental-certifications.

© Carling Technologies, Inc.

3. Carling is a registered trademark of Carling Technologies, Inc. in the U.S. and other countries.