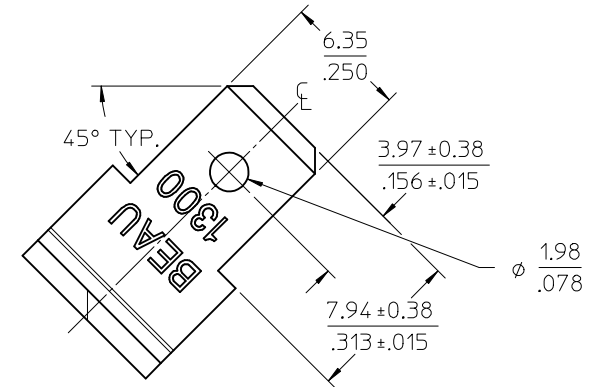
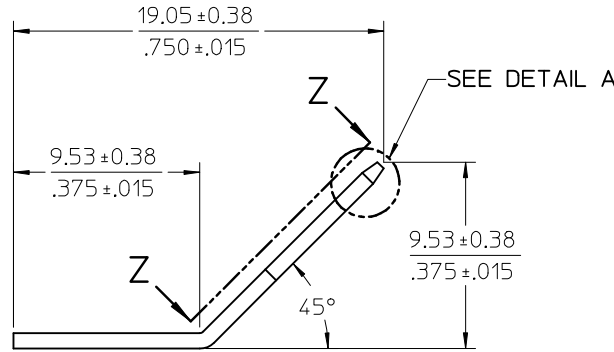
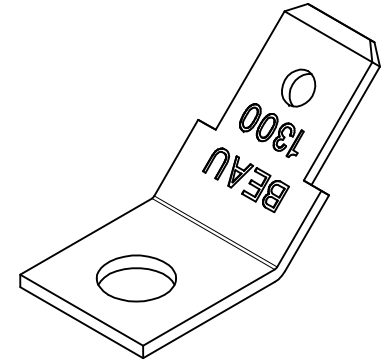


DETAIL A
SCALE 10:1



VIEW Z-Z

NOTES:

1. MATERIAL: BRASS
2. FINISH: TIN PLATE
3. MUST BE ROHS COMPLIANT.

| | | | | | | | |
|--|----------------------|--|---|---|------------------------------------|--------------|---|
| INITIAL RELEASE EC NO: ETC2006-0503 DRAWN BY: EPHILE 2006/07/17 CHKD: JMACNEIL 2006/07/19 APPR: RDEROSS 2006/07/20 | DESCRIPTION REV A | QUALITY SYMBOLS | GENERAL TOLERANCES (UNLESS SPECIFIED) | DIMENSION STYLE | SCALE | DESIGN UNITS | THIRD ANGLE PROJECTION |
| | | ▼=0 ▽=0 | mm INCH 4 PLACES ± --- ± --- 3 PLACES ± --- ± .005 2 PLACES ± 0.13 ± .01 1 PLACE ± 0.3 ± --- ANGULAR ± 2 ° | MM/IN DRAWN BY DATE EPHILE 2006/06/28 CHECKED BY DATE JMACNEIL 2006/06/28 APPROVED BY DATE RDEROSS 2006/06/28 | 4:1 | INCH | THIRD ANGLE PROJECTION TITLE TERMINAL, 250 FAST-TAB, SL |
| | | DRAFT WHERE APPLICABLE MUST REMAIN WITHIN DIMENSIONS | MATERIAL NO. | DOCUMENT NO. | MOLEX INCORPORATED SD-38002-049 | | SHEET NO. |
| | | SIZE B | THIS DRAWING CONTAINS INFORMATION THAT IS PROPRIETARY TO MOLEX INCORPORATED AND SHOULD NOT BE USED WITHOUT WRITTEN PERMISSION | | 1 OF 1 | | |