



**ebm-papst St. Georgen GmbH & Co. KG**  
 Hermann-Papst-Str. 1  
 D-78112 St. Georgen  
 Phone +49 (0) 7724 81-0  
 info2@de.ebmpapst.com  
 www.ebmpapst.com

### Nominal data

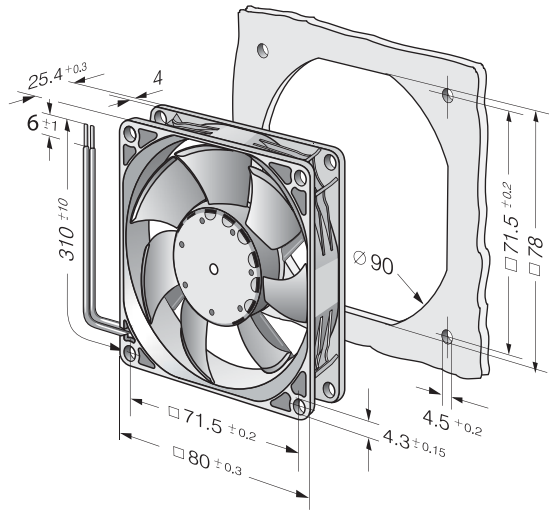
Item	8452/2 HHP	
Motor	-	
Nominal voltage	VDC	12
Nominal voltage range	VDC	10,8 .. 13,2
Speed (rpm)	min <sup>-1</sup>	4400
Power consumption	W	3.5
Min. ambient temperature	°C	-20
Air flow	m <sup>3</sup> /h	83
Sound power level	B	5.5
Sound pressure level	dB(A)	42

ml = Max. load · me = Max. efficiency · fa = Free air · cs = Customer specification · ce = Customer equipment  
 Subject to change

**Technical description**

<b>Weight</b>	0.105 kg
<b>Dimensions</b>	80 x 80 x 25 mm
<b>Impeller material</b>	Glass-fiber reinforced PA plastic
<b>Housing material</b>	Glass-fiber reinforced PBT plastic
<b>Airflow direction</b>	Exhaust over struts
<b>Service life L10 at 40 °C</b>	65000 h
<b>Service life L10 at maximum temperature</b>	40000 h

Product drawing



Curves

