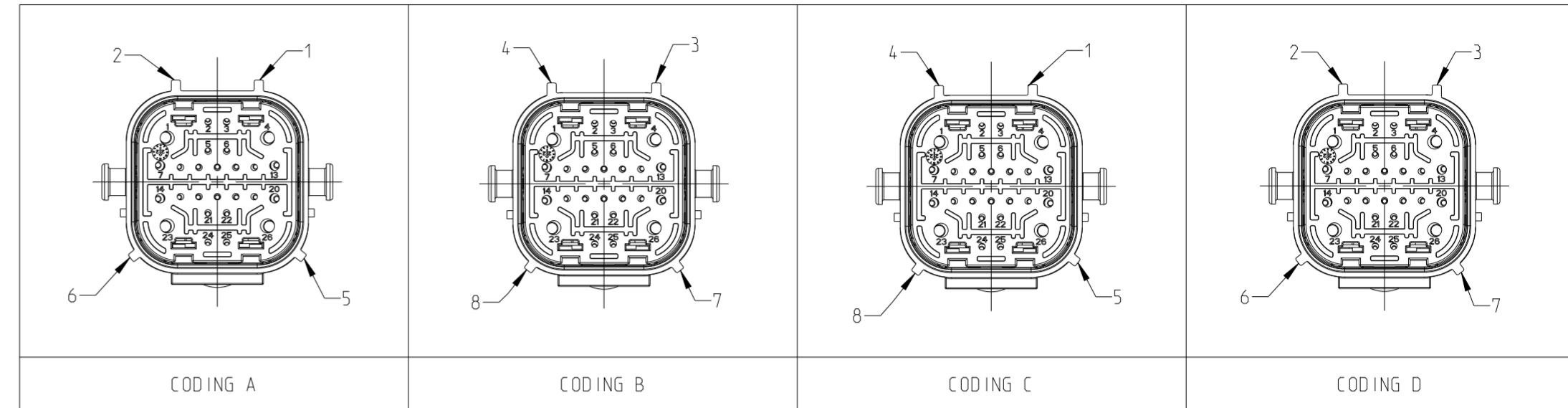
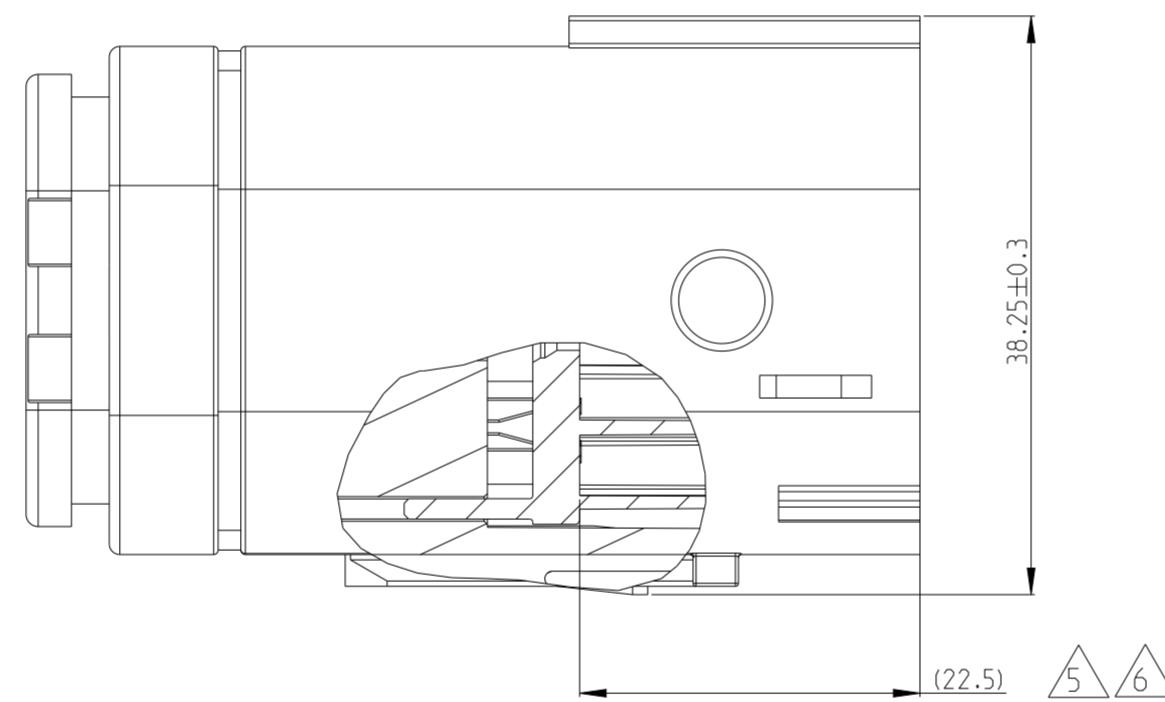
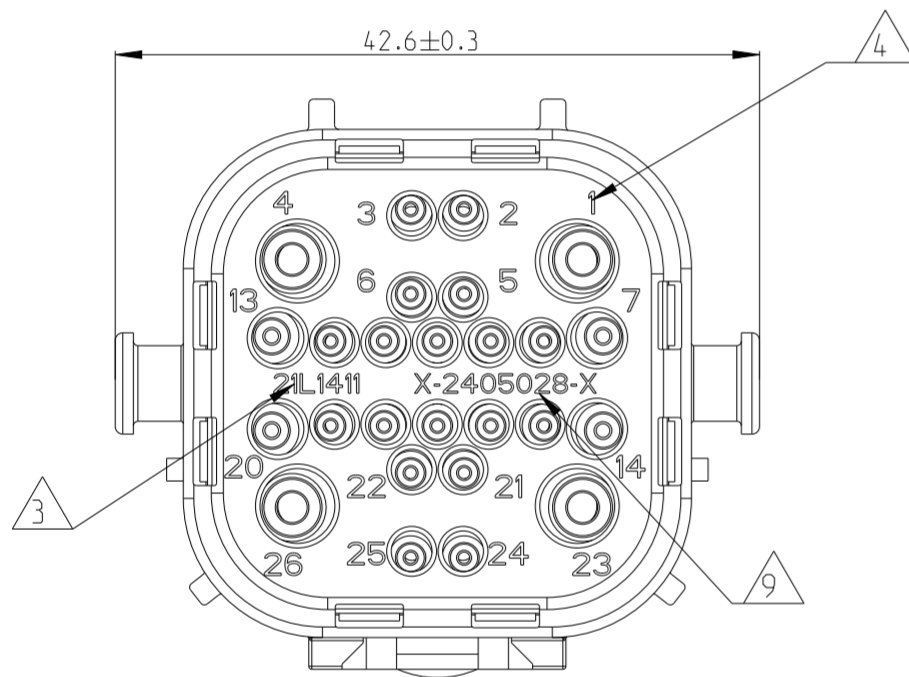
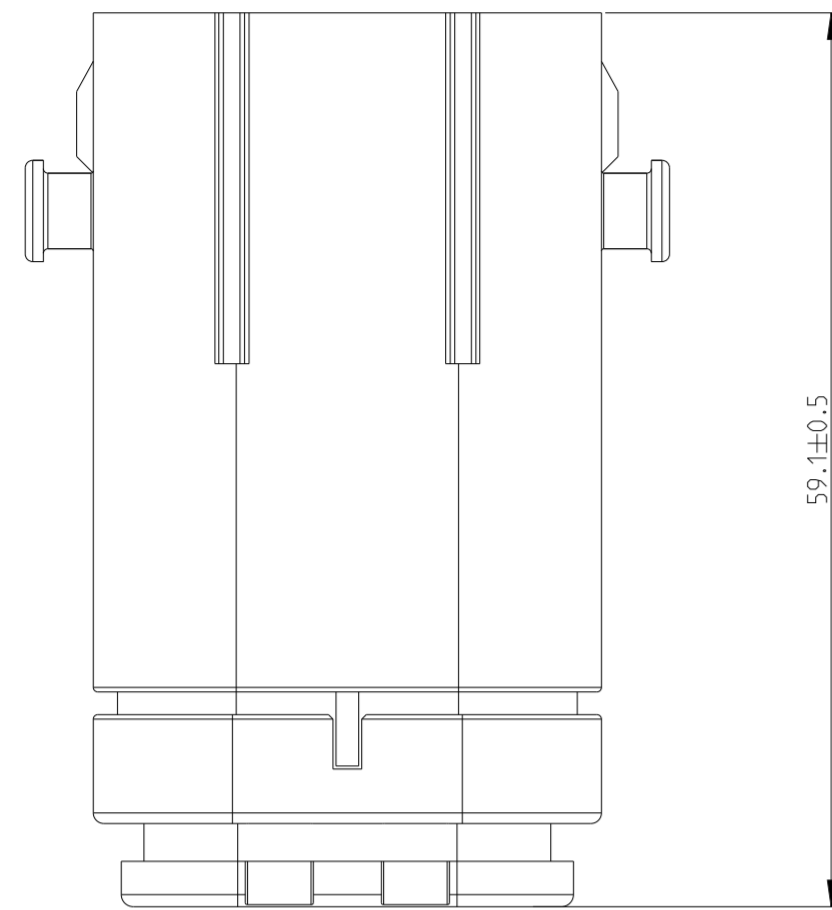


P	LTR	DESCRIPTION	DATE	DWN	APVD
A		INITIAL RELEASE	24MAR2022	L.G	Z.Z
A1		ECN-22-165271	19JUL2022	L.G	Z.Z
A2		ECN-24-258780	03APR2024	J.S	Z.Z
A3		ECN-25-359904	13MAR2026	J.S	C.W

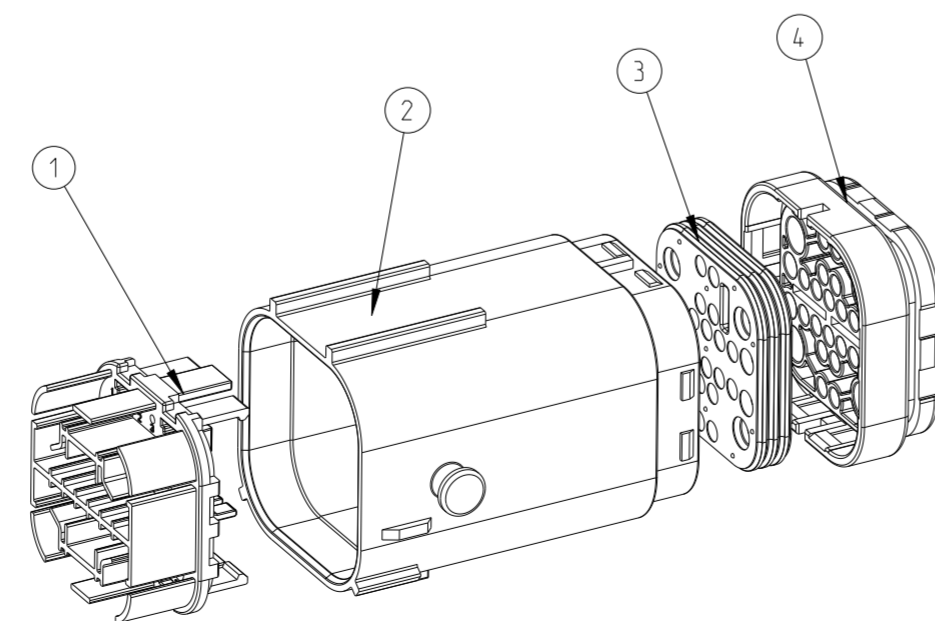
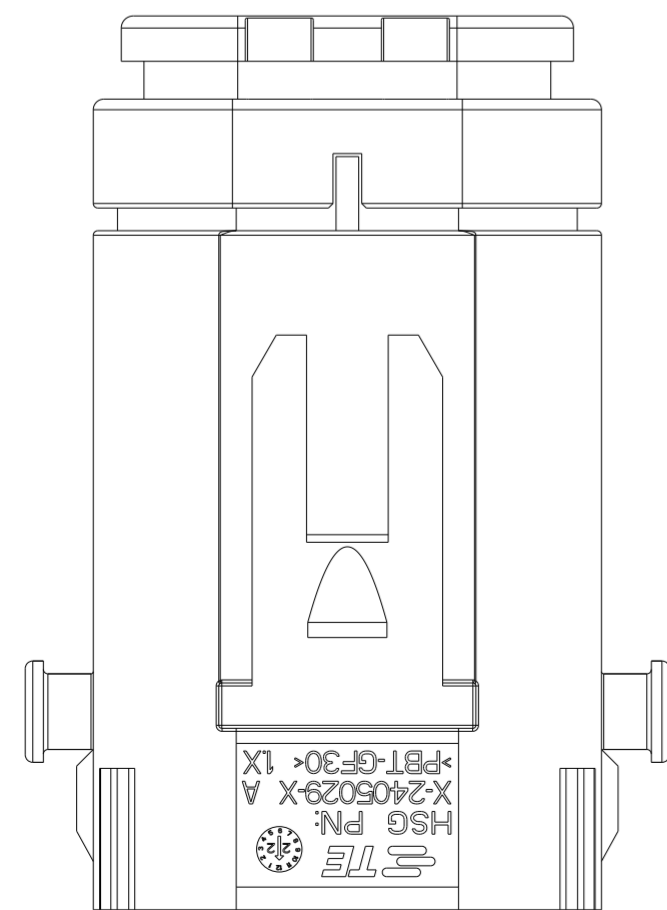


NOTE:

- 1. THIS REC HSG ASSEMBLY MATES WITH PLUG ASSEMBLY PN 2405007-X (X=1, 2, 3, 4 FOR VARIOUS CODE).
- 2 FOR FLANGE VERSION, NEED MATE WITH FIX RING PN 2350943-X.SEE DRAWING 2350943 FOR APPLICABLE WALL THICKNESS.
- 3 DATE CODE: IDENTIFIES THE YEAR, MONTH, DAY AND HOUR OF ASSEMBLY.  
YEAR: FIRST AND SECOND DIGITS(21=2021)  
MONTH: THIRD DIGIT, EXCLUDING 1, A=JAN, B=FEB, C=MARCH...(M=DECEMBER)  
DAY: FOURTH AND FIFTH DIGITS(14=14th DAY)  
HOUR: SIXTH AND SEVENTH DIGITS(11=11AM)
- 4 IDENTIFICATION FOR CABLE PINOUT.
- 5 TPA SEATED ON PRE-LOCK POSITION FOR DELIVERY.
- 6 PULL TPA TO PRE-LOCK BEFORE TERMINAL INSERTION IN CASE OF TPA BEING HIT TO END-LOCK POSITION.
- 7. REFER TO 114-151006 FOR DT SIZE 12 TERMINAL APPLICATION SPECIFICATION.  
REFER TO 114-151001/114-151000 FOR DT SIZE 16 TERMINAL APPLICATION SPECIFICATION.  
REFER TO 114-151003 FOR DT SIZE 20 TERMINAL APPLICATION SPECIFICATION.  
APPLICABLE TERMINAL PART NUMBERS AND WIRE SIZE:

TERMINAL PN	WIRE SIZE (MM2)	INSULATION WIRE (MM2)	PINOUT NUMBER
12#	4.0-6.0	∅3.4-∅4.3	1,4,23,26
16#	0.75-2.5	∅1.7-∅3.0	7,13,14,20
20#	0.5-1.5	∅1.4-∅2.4	OTHER PINS

- 8 FOR FLANGE VERSION THE FACIAL SEAL SEATED IN THE RIGHT POSITION WITH CORRECT DIRECTION.
- 9 LASER PRODUCT PN, SUCH AS "--1"MEANS 2405028-1, "1--1" MEANS 1-2405028-1.



QTY.	REQUEST PER ASSY	COLOR	MATERIAL	DESCRIPTION	ITEM NO		
1	-	-	BLUE	PBT-GF30 REAR CAP	4		
-	1	-	GREEN				
-	-	1	GREY	PBT-GF30 HOUSING CODING D HOUSING CODING C HOUSING CODING B HOUSING CODING A	2		
1	1	1	BLACK				
1	-	-	RUST RED				
-	1	-	BLUE				
-	-	1	GREEN	PBT-GF30 TPA	1		
-	-	1	GREY				
-	-	1	BLACK				
1	1	1	YELLOW	PBT-GF30			
QTY. REQUEST PER ASSY				COLOR	MATERIAL	DESCRIPTION	ITEM NO
A	A	A	A	REVISION OF EACH ASSY PN			
--4	--3	--2	--1	TE ASSEMBLY PN			

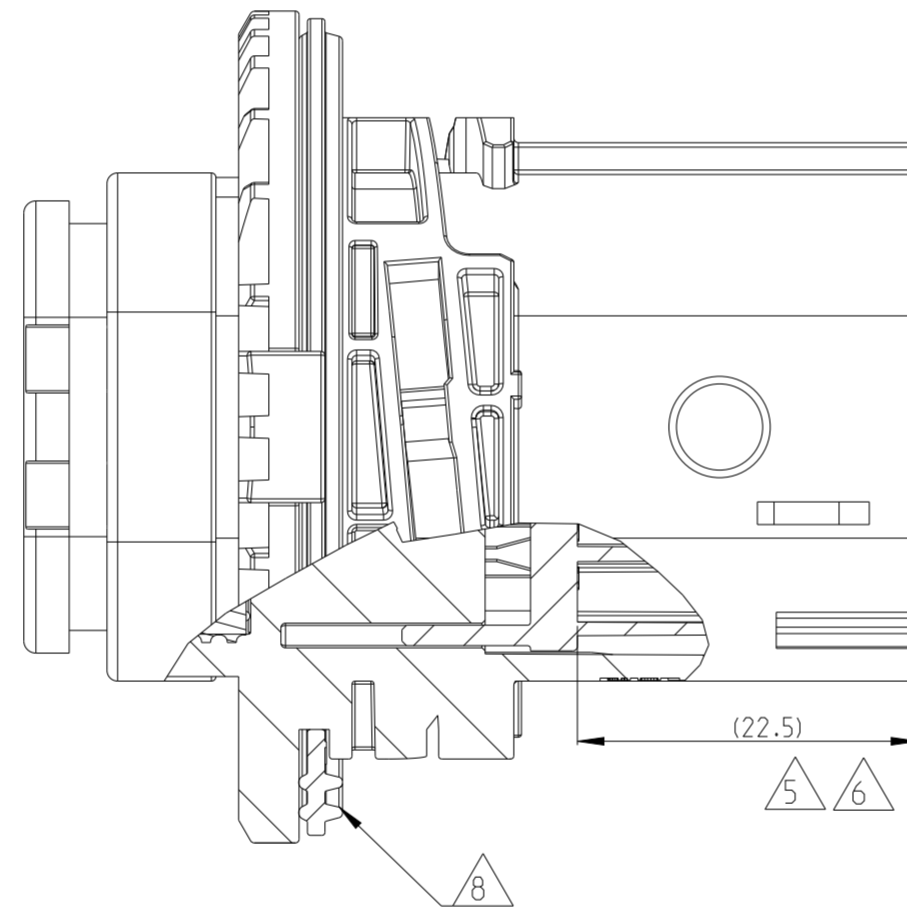
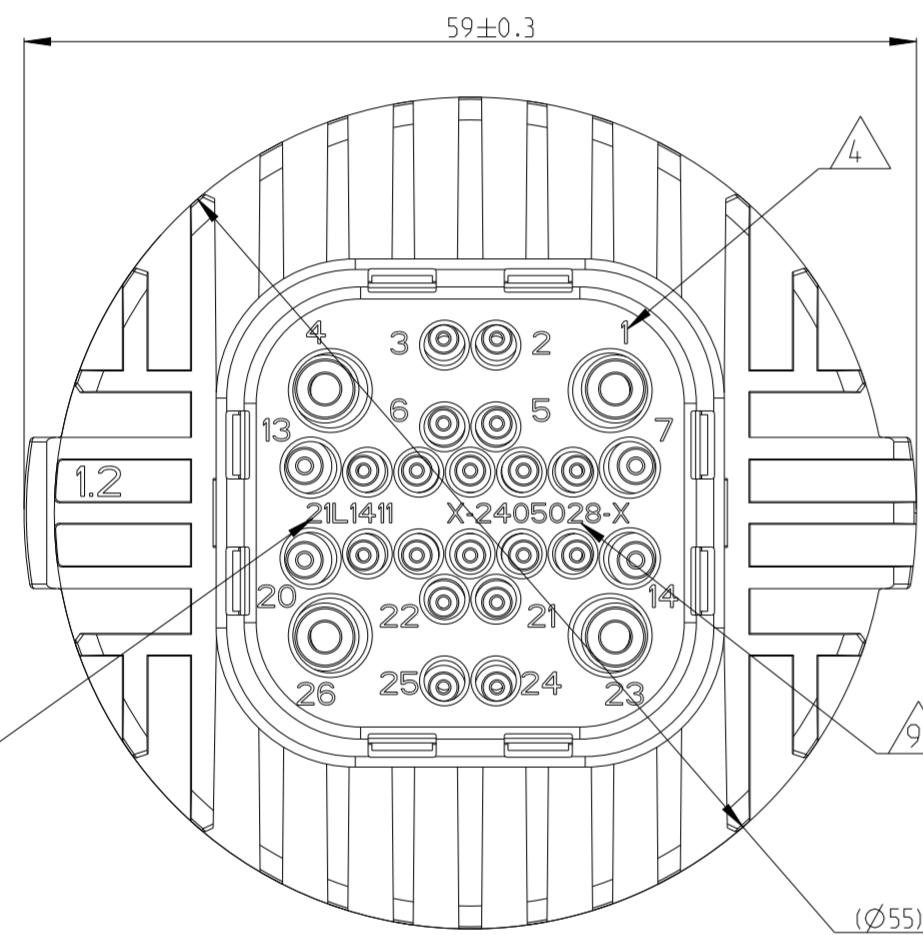
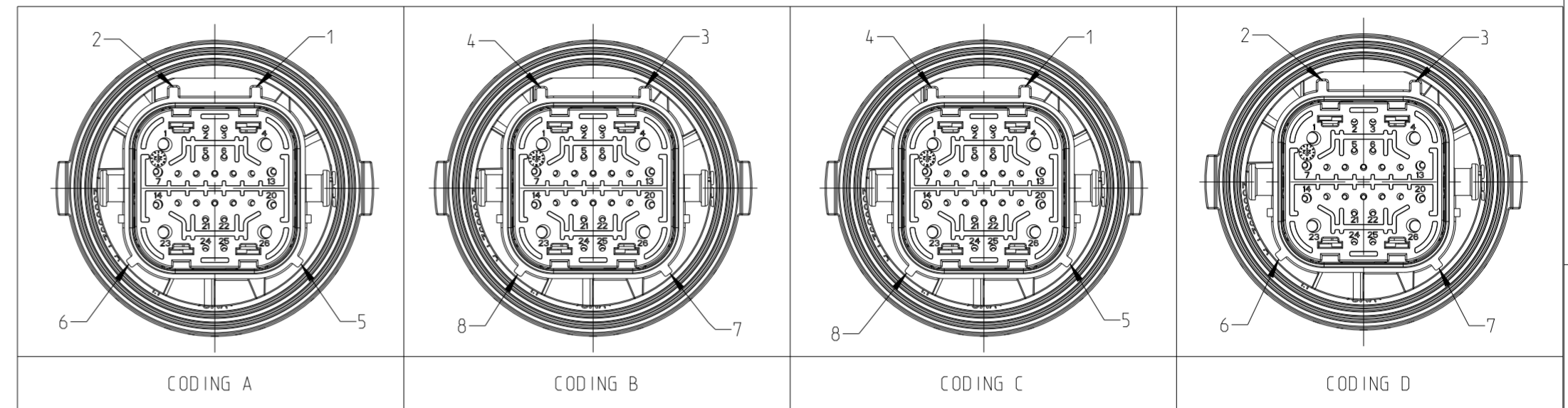
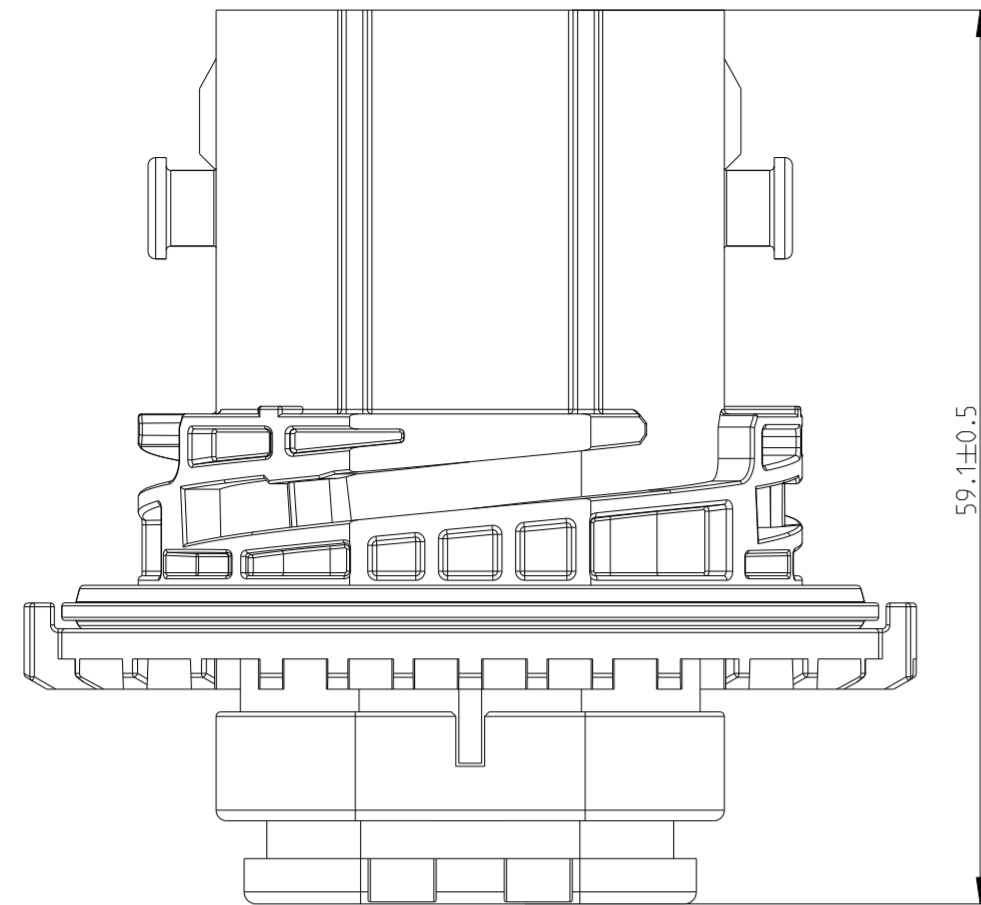
THIS DRAWING IS A CONTROLLED DOCUMENT.

DIMENSIONS:	TOLERANCES UNLESS OTHERWISE SPECIFIED:
mm	
0 PLC	±
1 PLC	±
2 PLC	±
3 PLC	±
4 PLC	±
ANGLES	±
FINISH	

MATERIAL: SEE TABLE

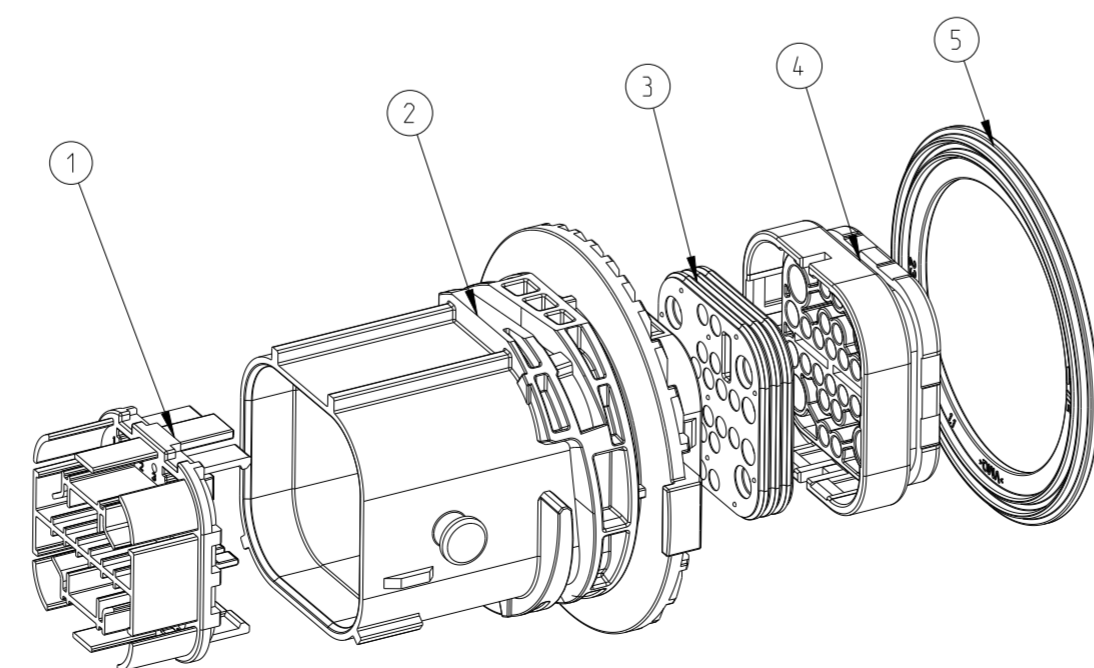
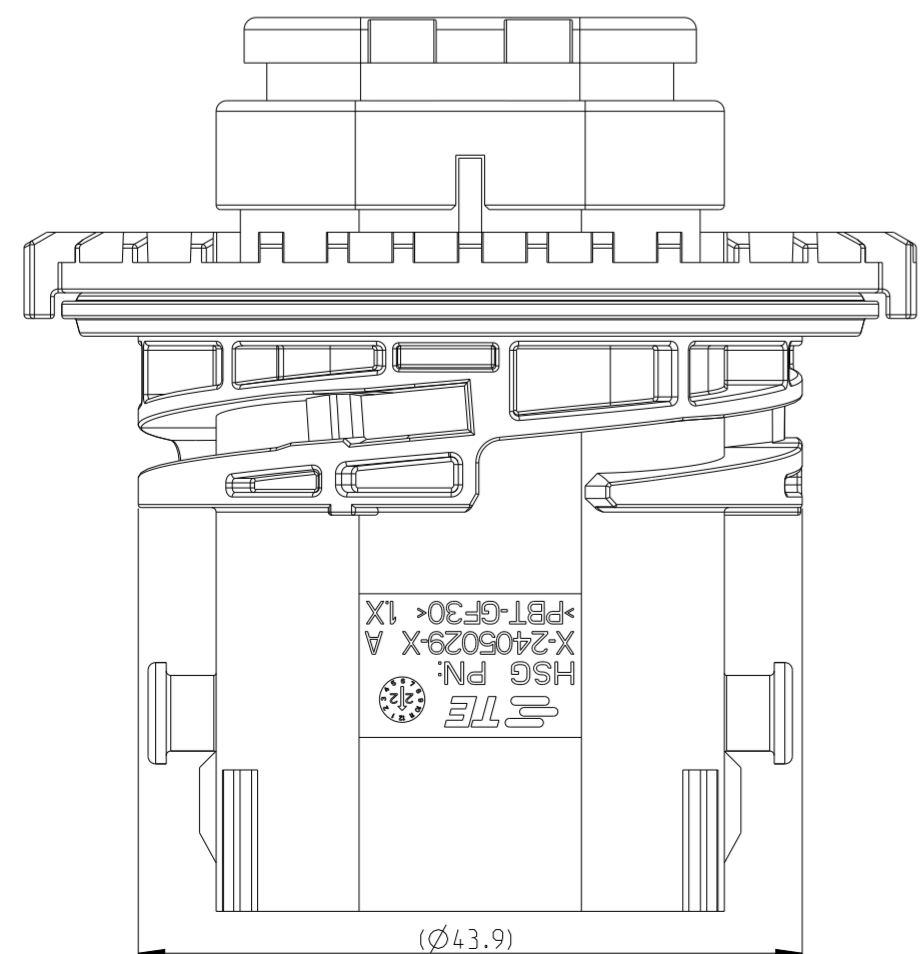
DWN	L.GAO	24MAR2022	NAME	NTS 26P REC HSG ASSEMBLY		
CHK	C.WAN	23MAR2022	SIZE	CAGE CODE	DRAWING NO	RESTRICTED TO
APVD	Z.ZHOU	24MAR2022	A2	00779	C-2405028	-
PRODUCT SPEC	108-101662		SCALE	2:1	SHEET	1 OF 2
APPLICATION SPEC	114-32209		REV	A3		
WEIGHT	-					
CUSTOMER DRAWING						

P	LTR	DESCRIPTION	DATE	DWN	APVD
		SEE SHEET 1			



**RECOMMENDED WALL INTERFACE**

WALL THICKNESS DIM A	PN OF FIX RING
4.0	2350943-4
3.5	2350943-3
3.0	2350943-2
1.5	2350943-1



QTY.	REQUEST PER ASSY	COLOR	MATERIAL	DESCRIPTION	ITEM NO
1	1	RUST RED	VMQ	FACIAL SEAL	5
1	-	BLUE	PBT-GF30	REAR CAP	4
-	1	GREEN			
-	-	GREY			
-	-	BLACK			
1	1	RUST RED	VMQ	GROMMET	3
1	-	BLUE	PBT-GF30	HOUSING CODING D	2
-	1	GREEN		HOUSING CODING C	
-	-	GREY		HOUSING CODING B	
-	-	BLACK		HOUSING CODING A	
1	1	YELLOW	PBT-GF30	TPA	1
REVISION OF EACH ASSY PN					
TE ASSEMBLY PN					

THIS DRAWING IS A CONTROLLED DOCUMENT.

DWN	L.GAO	21MAR2022
CHK	C.WAN	23MAR2022
APVD	Z.ZHOU	24MAR2022
PRODUCT SPEC	108-101662	
APPLICATION SPEC	114-32209	
WEIGHT	-	
CUSTOMER DRAWING	SCALE	2:1

NAME: NTS 26P REC HSG ASSEMBLY

SIZE: A2 CAGE CODE: 00779 DRAWING NO: C-2405028 RESTRICTED TO: -

SHEET 2 OF 2 REV A3