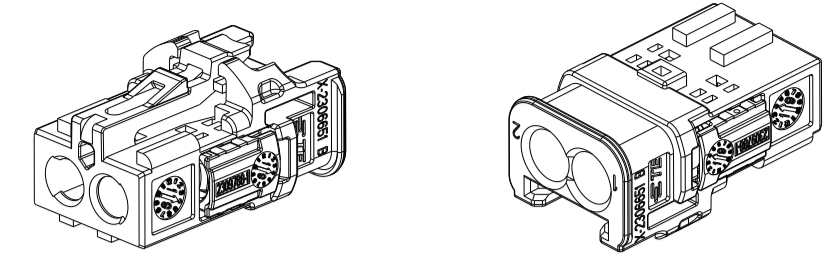


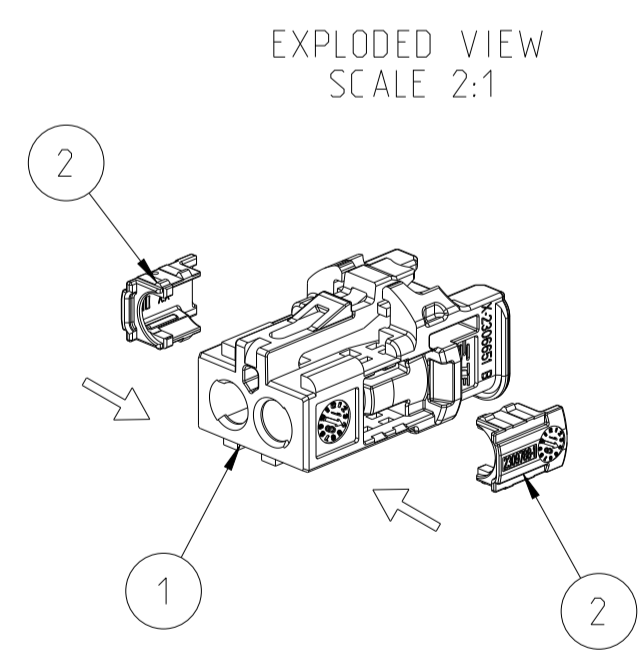
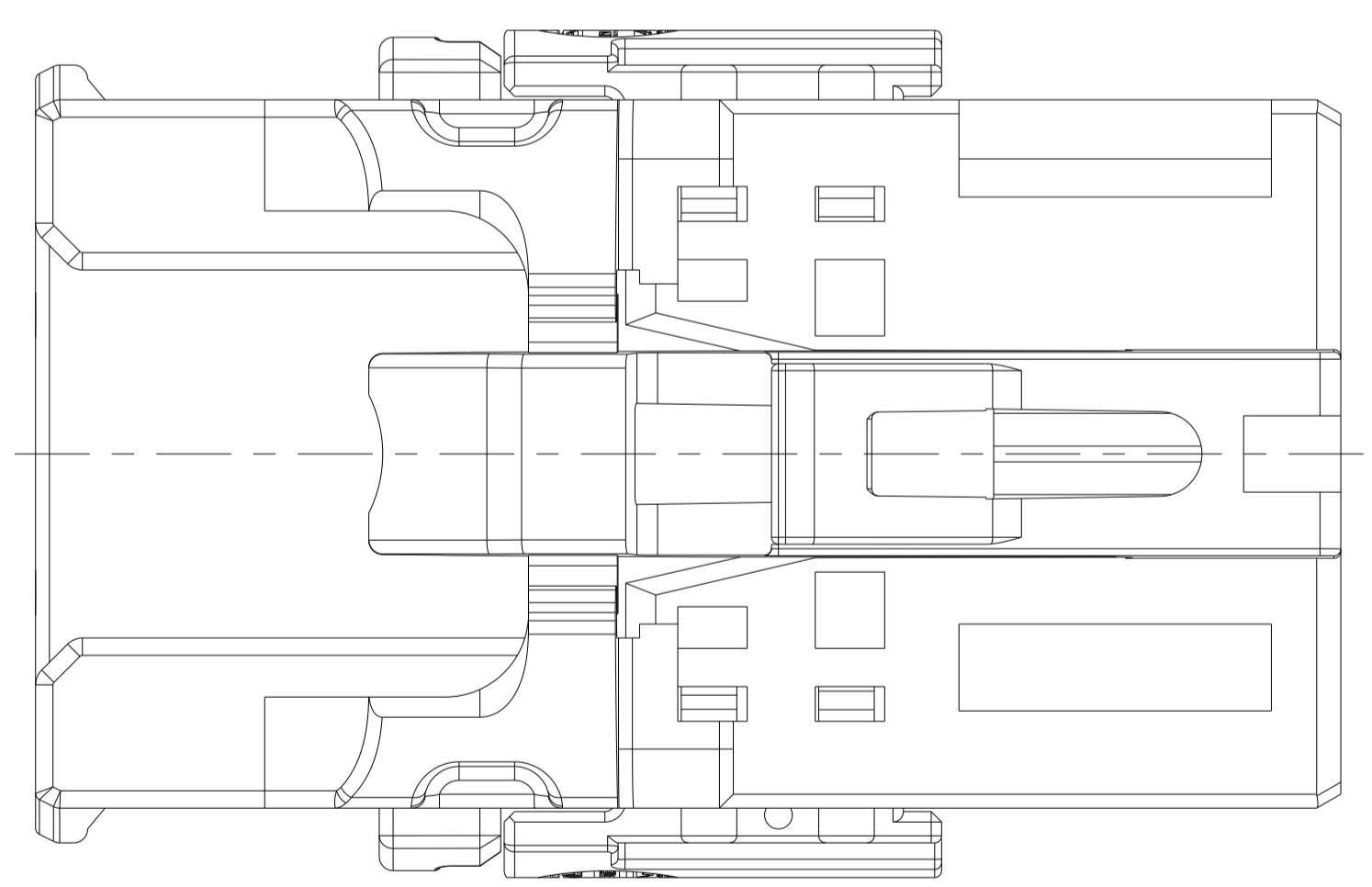
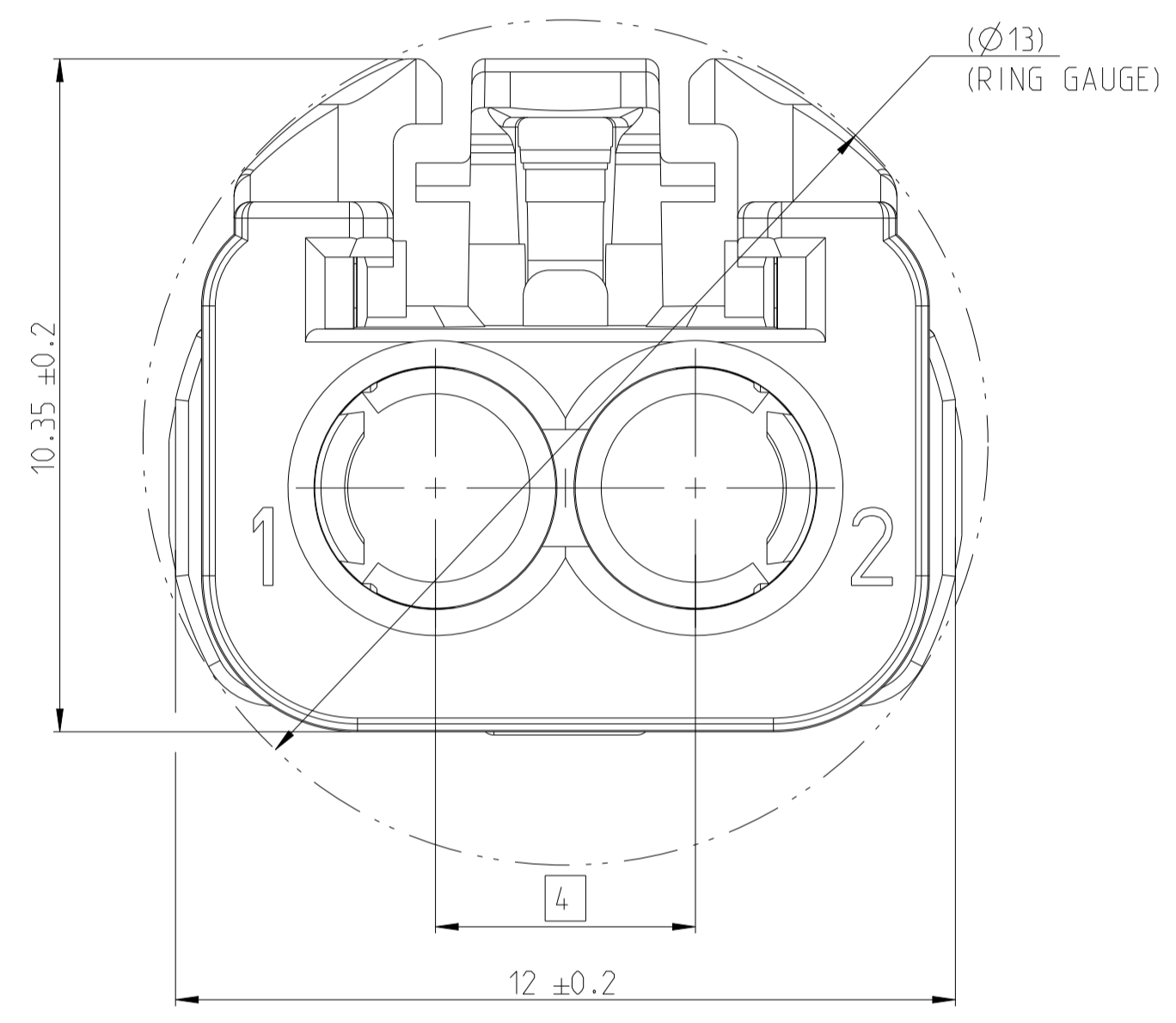
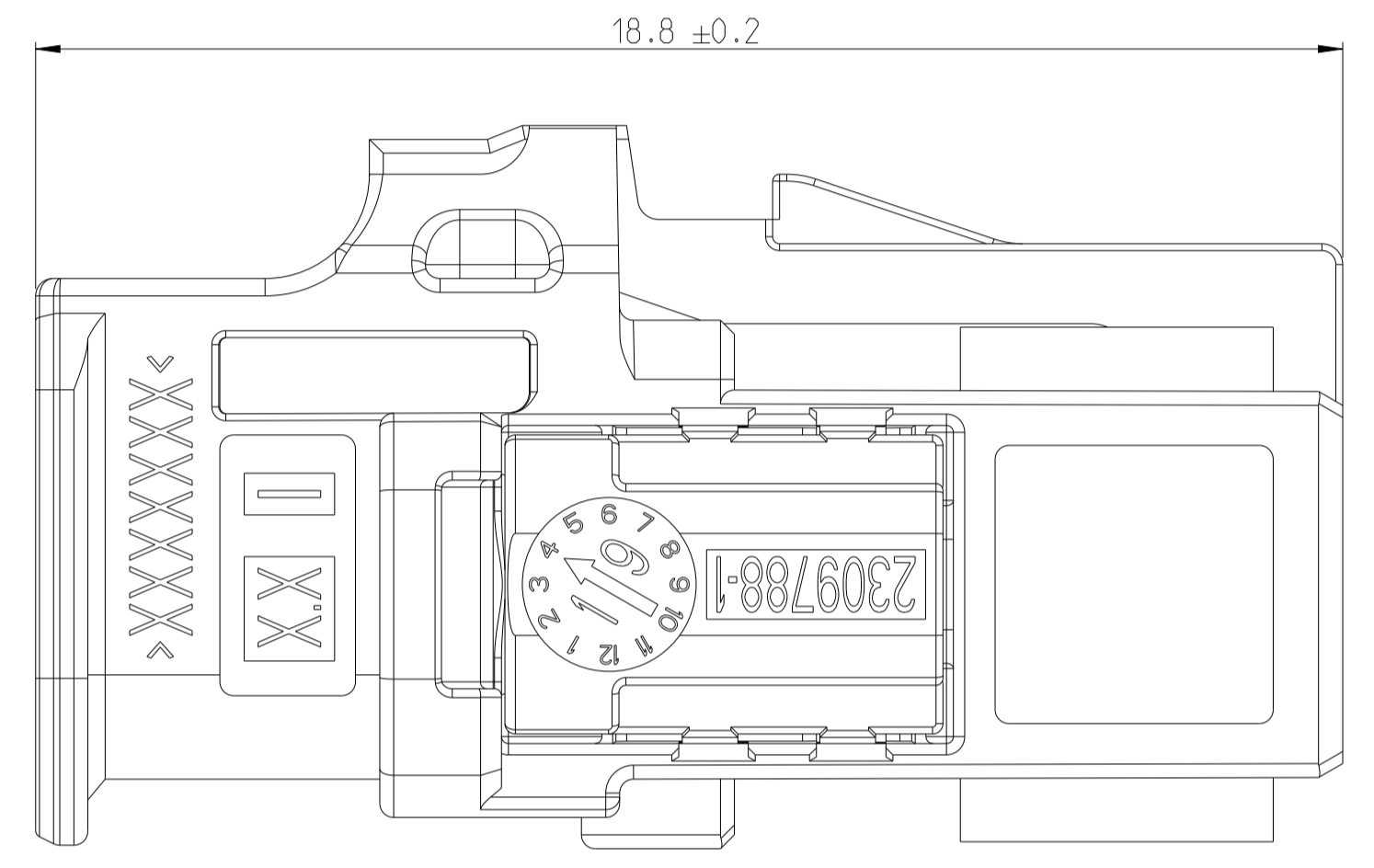
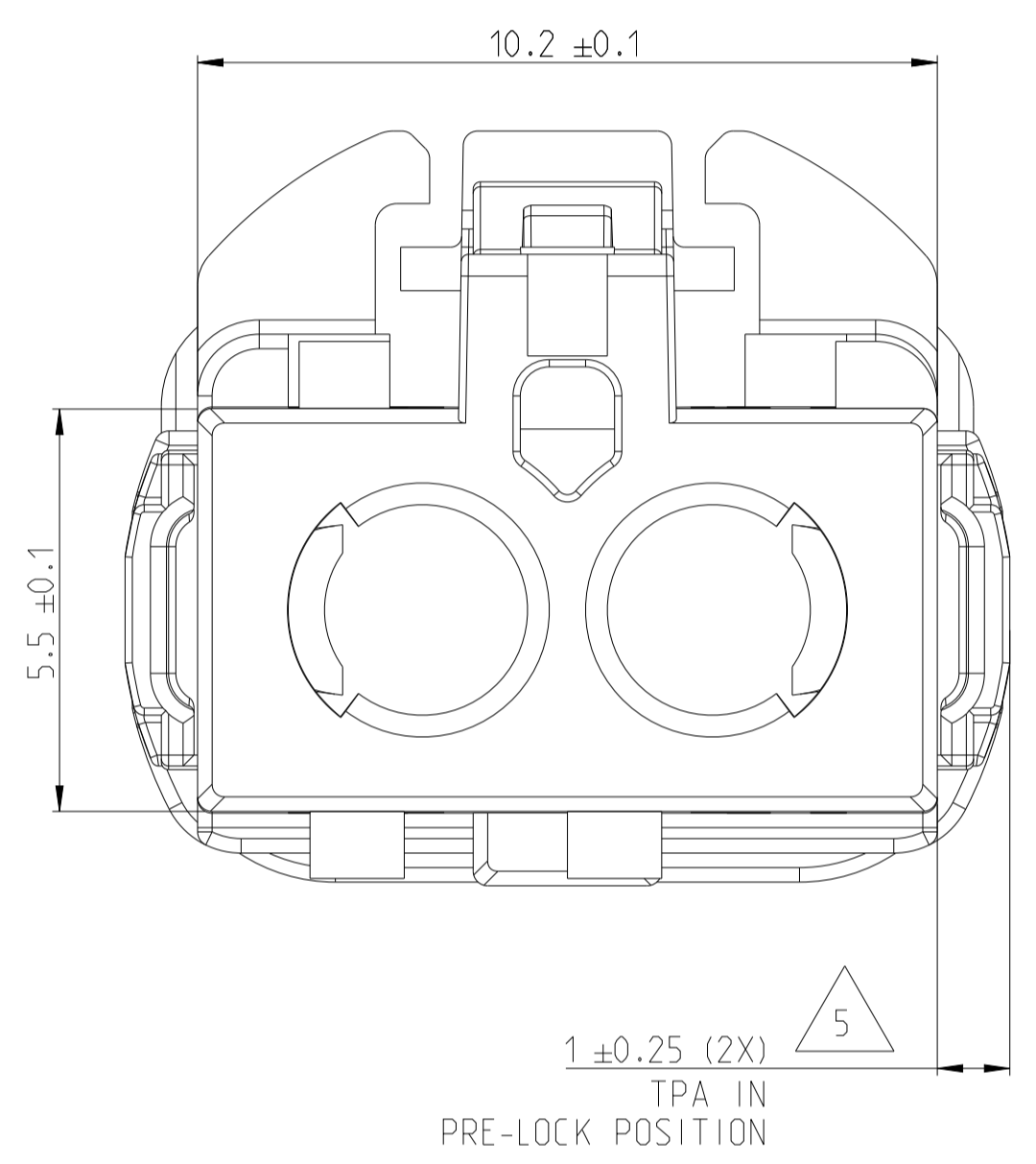
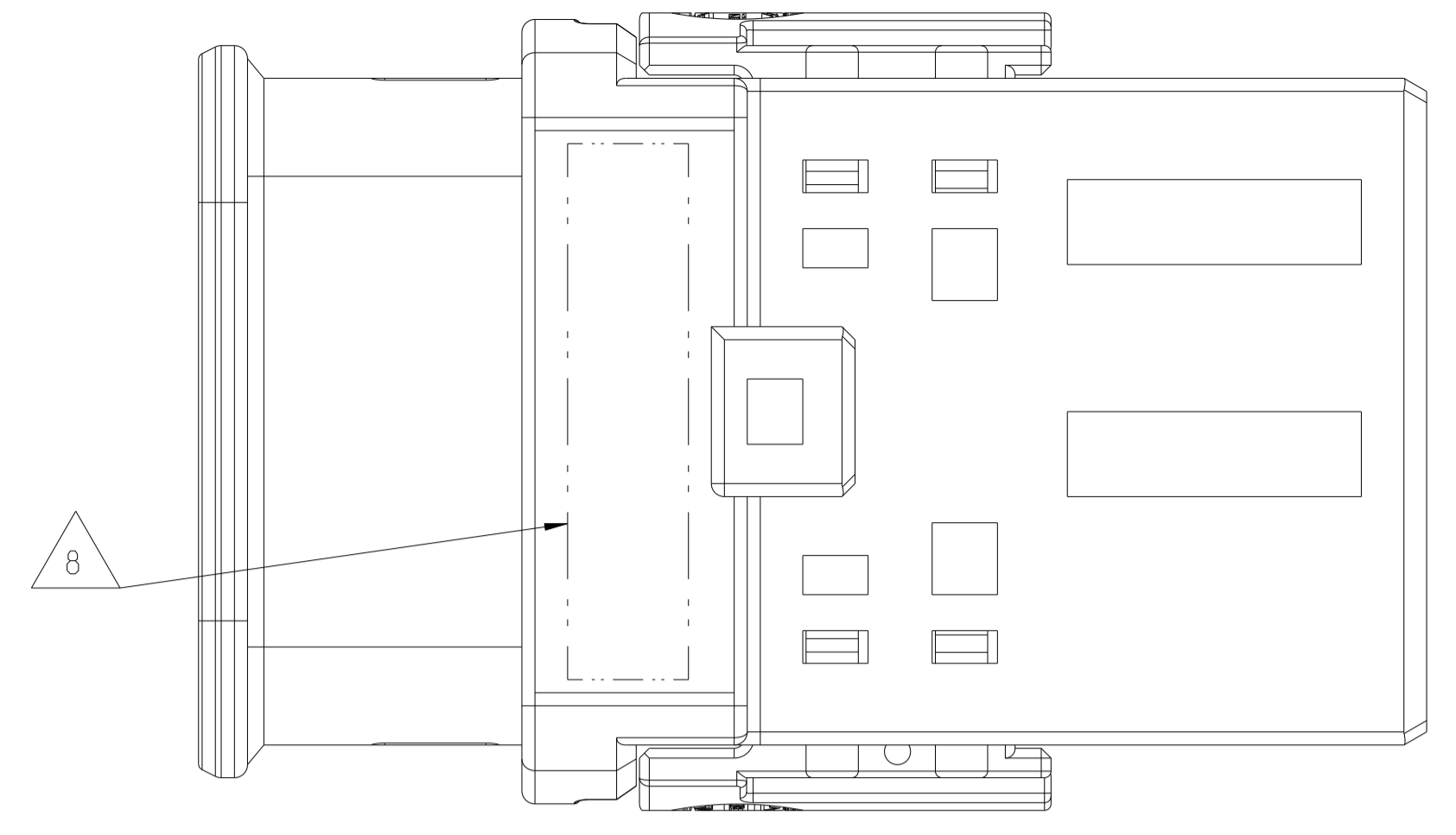
REVISIONS				
P.	LTN	DESCRIPTION	DATE	DWN APVD
A		INITIAL DRAWING	20MAY2019	LN CS
B		HSG REV / COD TOL UPDATED, ADDED NOTE 10	17JUL2020	MS CS
B1		TOLERANCES UPDATED	29MAR2023	JJ CS
B2		ADDING PBT VERSION	12DEC2025	SE SC

SCALE 2:1



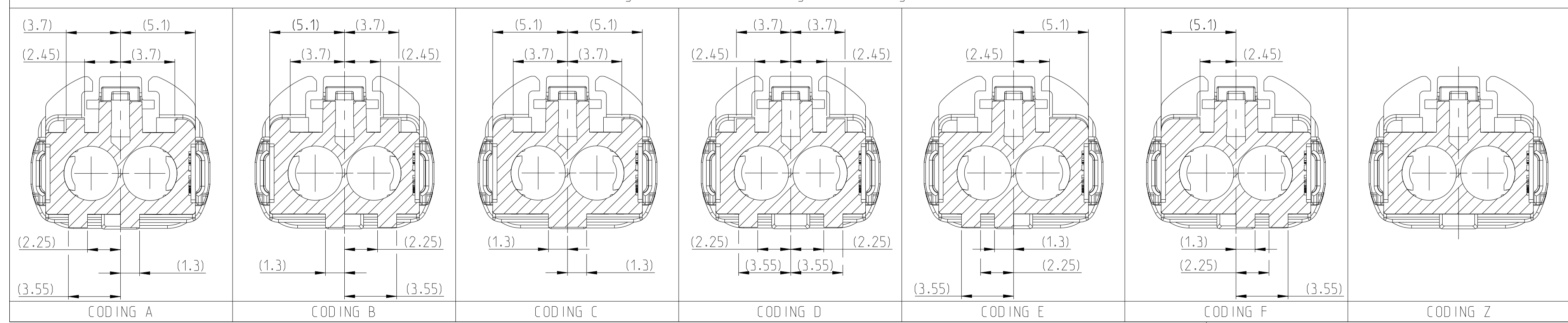
VARIANT 1 - WITHOUT CPA

2306868-1 CODING A AS SHOWN



- ONLY THE GERMAN LANGUAGE SHALL BE BINDING
Massgebend ist der deutsche Text
- DETAILS OF DESIGN ARE LEFT TO TE CONNECTIVITY
Einzelheiten der Ausführung bleiben TE CONNECTIVITY ueberlassen
- PACKAGING: BULK IN CARDBOARD BOX
Verpackung: Schuetztgut in Karton
- TE ORDER NO. X-2306868-X SEE TABLE
TE-Bestellnummer X-2306868-X siehe Tabelle
- CONDITION AS SUPPLIED: TPA IN PRE-LOCKED POSITION.
IF IN ENDOCKING POSITION OR LOST AFTER TRANSPORTATION.
REWORK ALLOWED IN ACCORDANCE TO APPLICATION SPECIFICATION.
Auslieferungszustand: Sekundaersicherung in Vorraststellung.
Wenn nach Transport endverraestet oder herausgefallen, Nacharbeit
gemaess Verarbeitungs-Spezifikation erlaubt.
- MATCHING TO CONTACT TE NO. e.g. 2298488 AND 2298510
Passend zu Kontakt TE-Nr. z.B. 2298488 und 2298510
- CONDITION AS SUPPLIED: CPA IN PRE LOCKED POSITION
Auslieferungszustand: CPA in Vorraststellung
- TE ORDER NUMBER ACCORDING TABLE
TE-Bestellnummer nach Tabelle
- SUITABLE MATING CONNECTOR TE-PN 2306498-X
Passender Anschlussstecker TE-PN 2306498-X
- CONFECTION TESTS COMBINED WITH CONTACT LEADS ARE TO BE MADE
WITH RF-ADAPTER 2318196-1
Konfektionspruefungen in Verbindung mit Leitungen sind mit
HF-Testadapter 2318196-1 durchzufuehren

CODINGS. PLUG SIDE. SIMILARITY AS VIEW 5:1
Kodierung, Steckseite, Darstellung der Kodierungen nur aehnlich

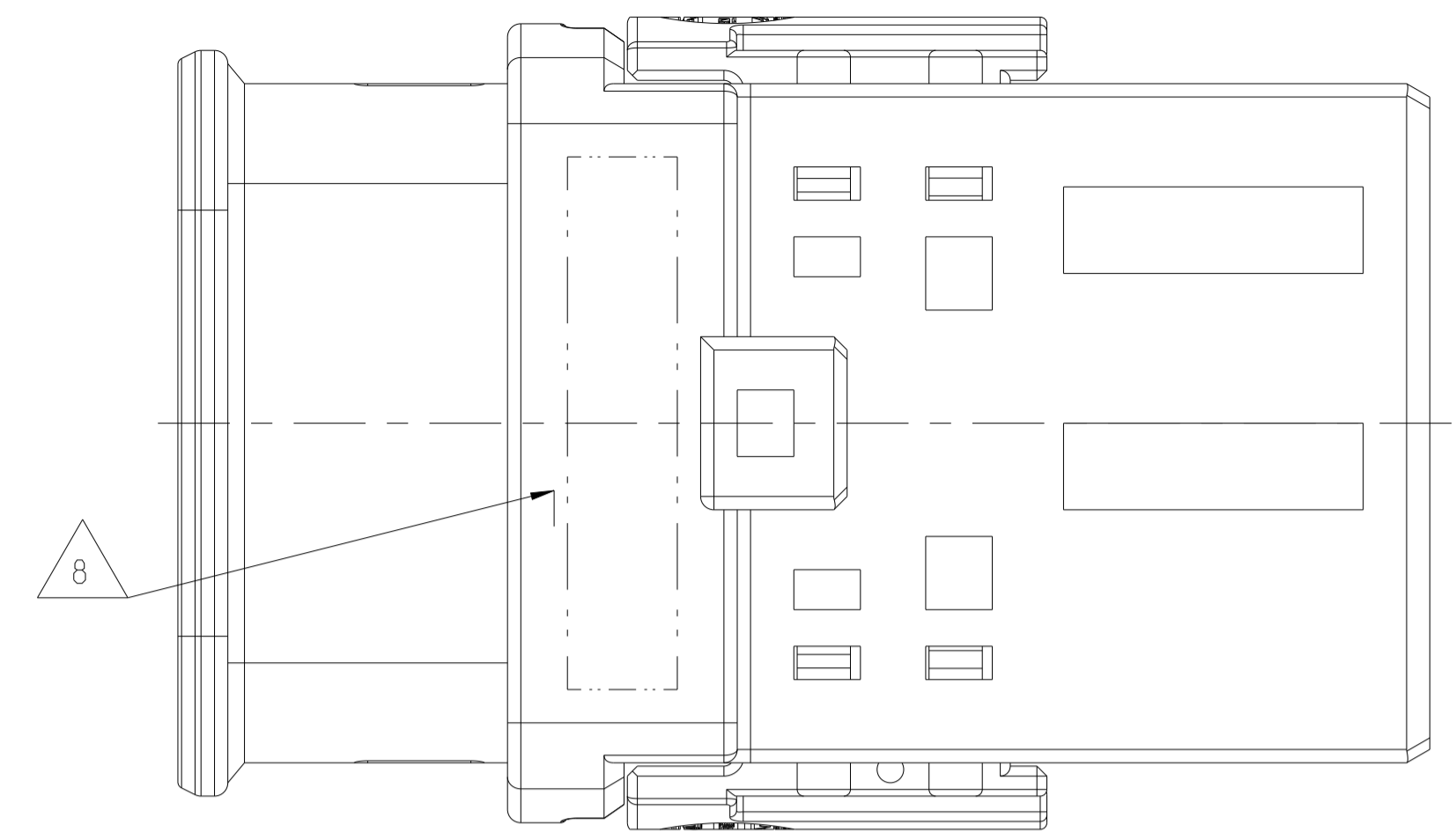
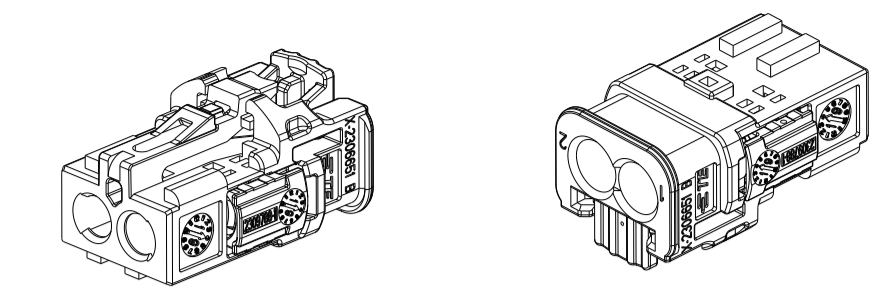


VARIANT 2 WITH CPA	2-2306868-X	SEE SHEET 2							
VARIANT 1 WITHOUT CPA	2306868-9	B	2	Z	TPA	PA66-GF30	TRAFFIC PURPLE	0.99	2
		1			HOUSING	PA66-GF30	WATER BLUE		
	2306868-6	B	2	F	TPA	PA66-GF30	TRAFFIC PURPLE	1.02	2
		1			HOUSING	PA66-GF30	NUT BROWN		
	2306868-5	B	2	E	TPA	PA66-GF30	TRAFFIC PURPLE	1.02	2
		1			HOUSING	PA66-GF30	MAY GREEN		
	2306868-4	B	2	D	TPA	PA66-GF30	TRAFFIC PURPLE	1.02	2
		1			HOUSING	PA66-GF30	CLARET VIOLET		
	2306868-3	B	2	C	TPA	PA66-GF30	TRAFFIC PURPLE	1.02	2
		1			HOUSING	PA66-GF30	LIGHT BLUE		
	2306868-2	B	2	B	TPA	PA66-GF30	TRAFFIC PURPLE	1.02	2
		1			HOUSING	PA66-GF30	PURE WHITE		
	2306868-1	B	2	A	TPA	PA66-GF30	TRAFFIC PURPLE	1.02	2
		1			HOUSING	PA66-GF30	JET BLACK		

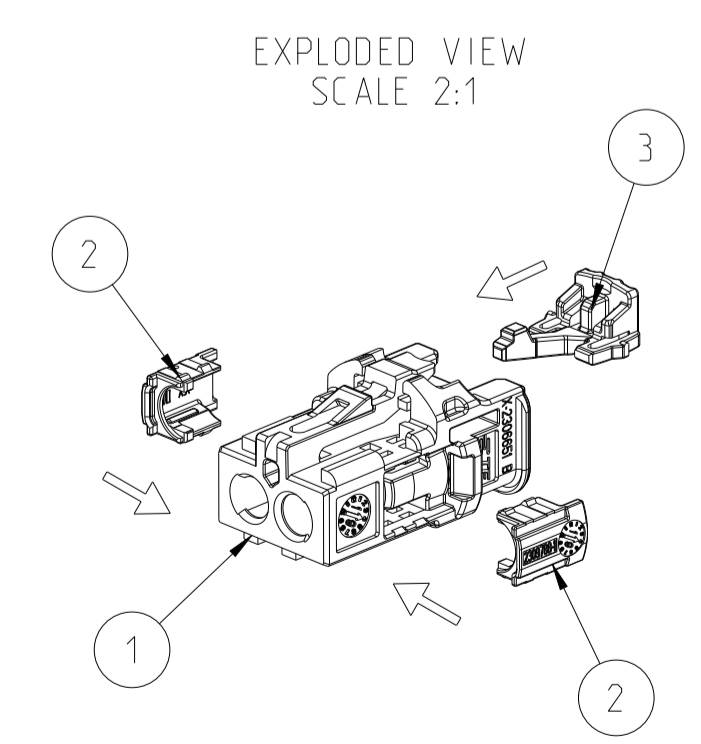
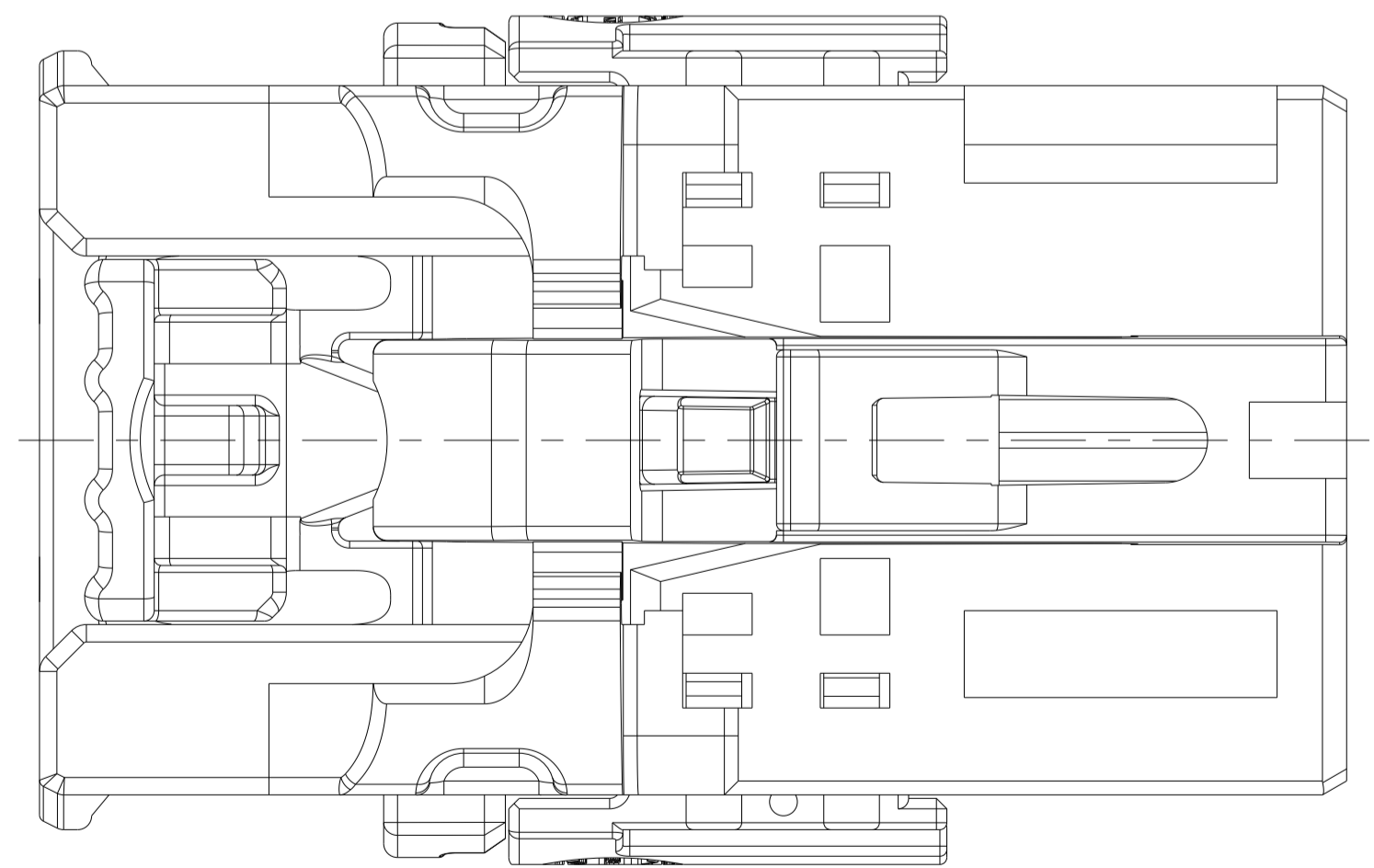
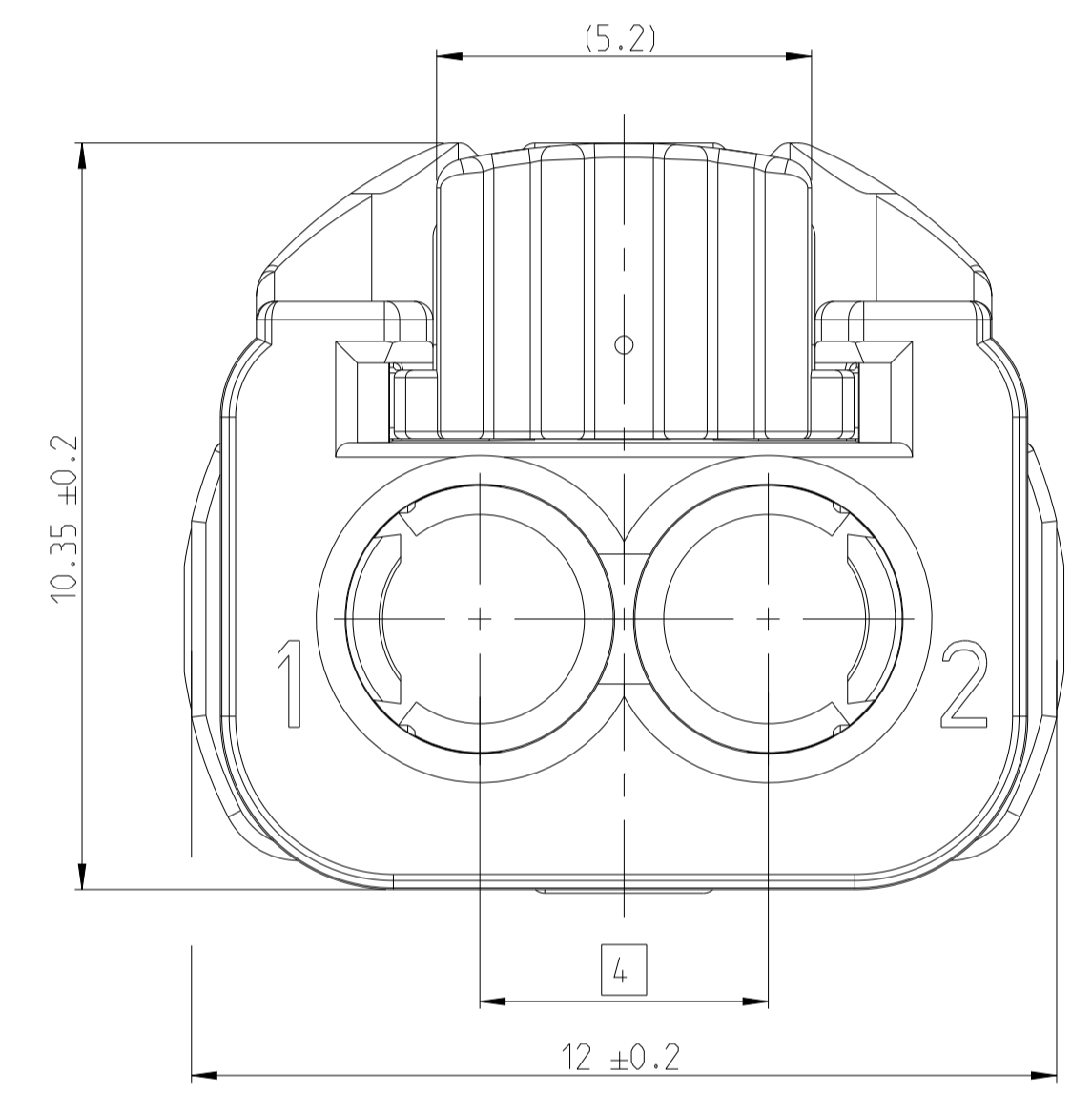
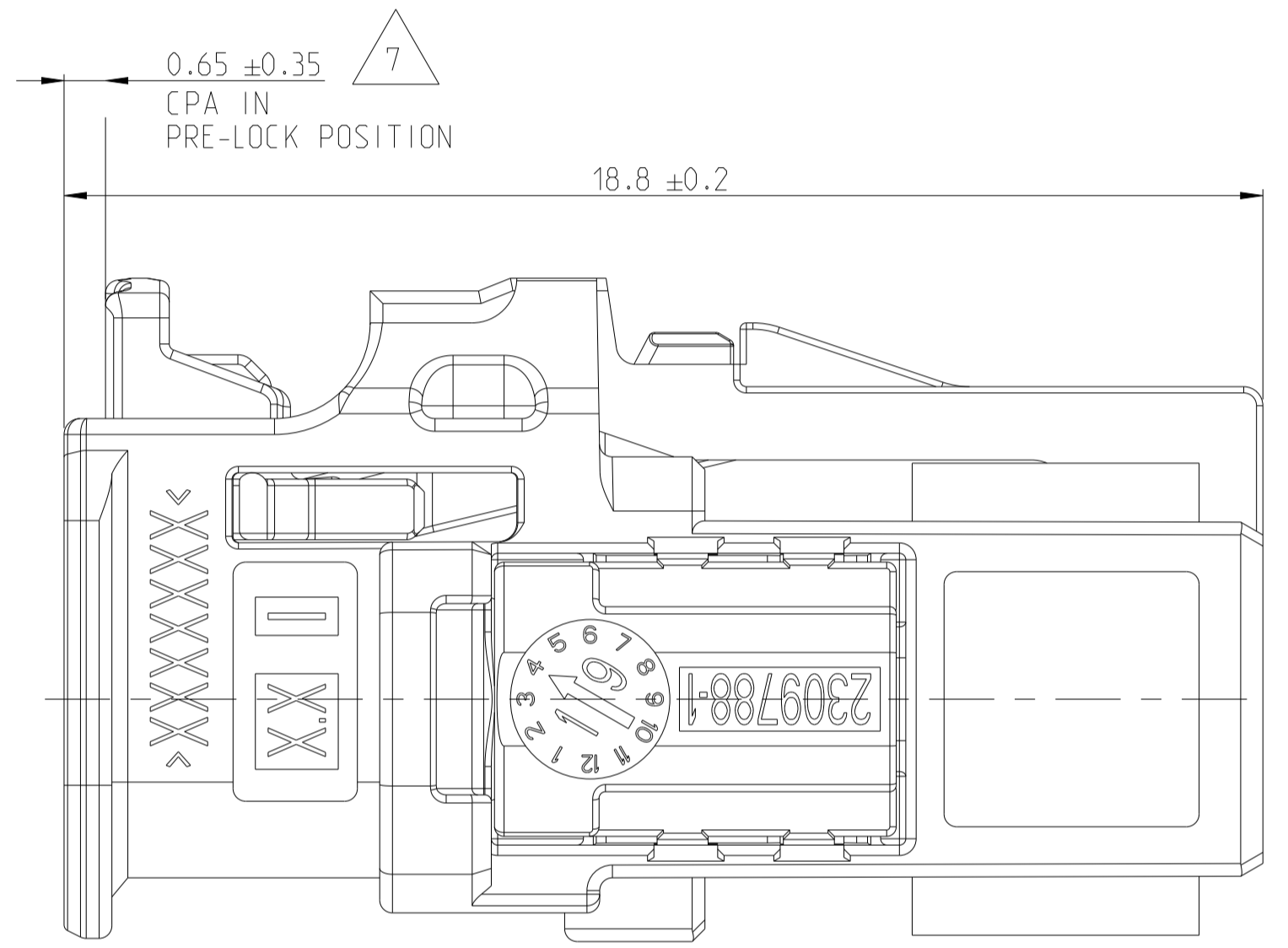
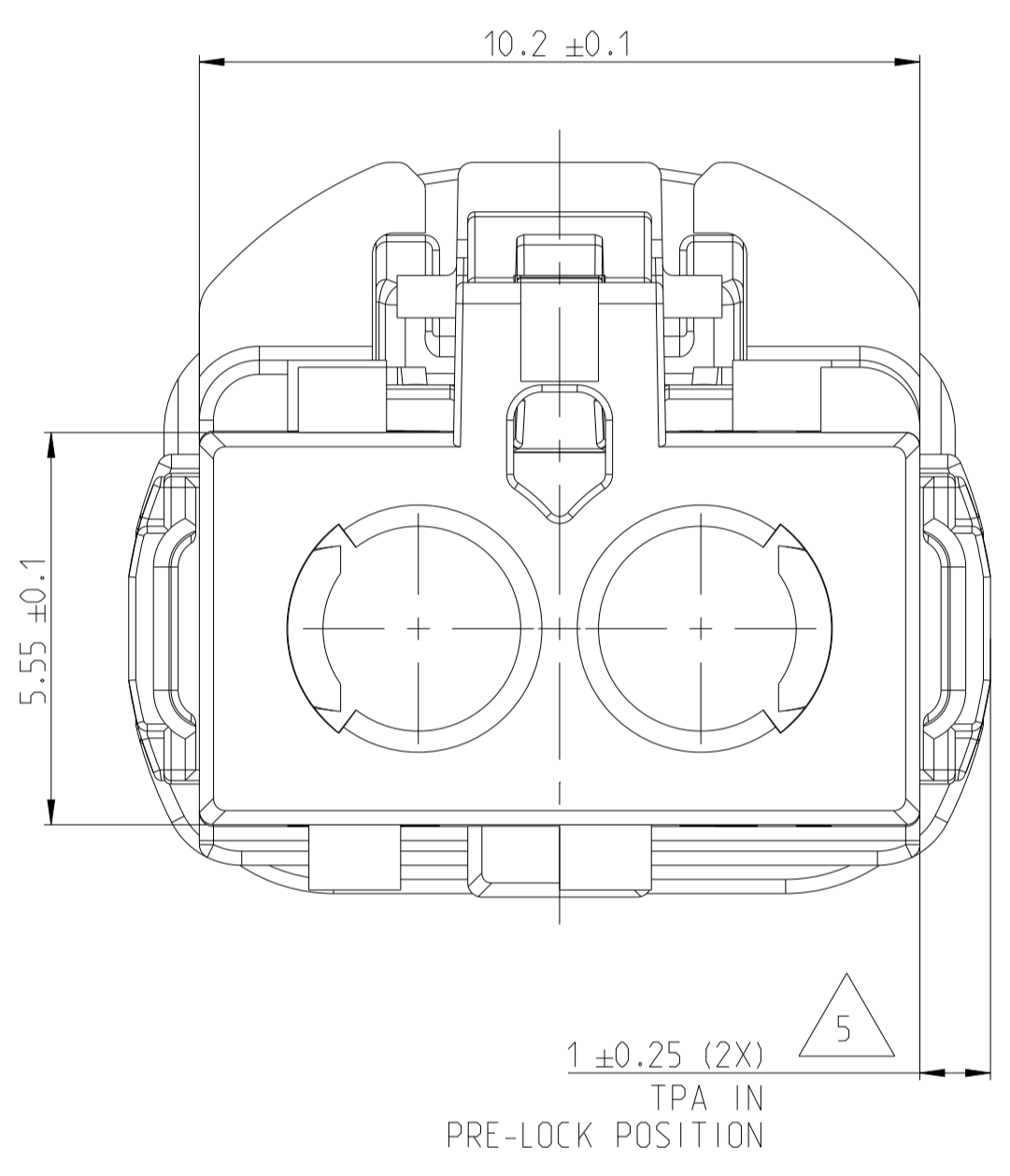
THIS DRAWING IS A CONTROLLED DOCUMENT. DIMENSIONS: mm. TOLERANCES UNLESS OTHERWISE SPECIFIED: 0 PLC ±0.2, 1 PLC ±0.2, 2 PLC ±0.2, 3 PLC ±0.2, 4 PLC ±0.2, ANGLES ±°. MATERIAL: -. FINISH: -. WEIGHT: -. CUSTOMER DRAWING: -. DATE: 15MAY2019. DWN: R. Nelson. CHK: M. Schaedel. APVD: K. Schrettlinger. PRODUCT SPEC: 108-94709. APPLICATION SPEC: 114-94468. NAME: 2POS. MATE-AX, SOC HSG. ASSY, 180DEG. 2pol. MATE-AX, Buchsengeh. Zsb, 180Grad. SIZE: A1. CAGE CODE: 00779. DRAWING NO: 2306868. RESTRICTED TO: -. SCALE: 10:1. SHEET: 1 OF 2. REV: B2.

REVISIONS				
P	LTN	DESCRIPTION	DATE	APPV
-	SEE SHEET 1		-	-

SCALE 2:1



VARIANT 2 - WITH CPA
4-/2-2306868-1 CODING A AS SHOWN
(CODINGS AND MISSING DIMENSIONS EQUIVALENT TO VARIANT 1)



TE ASSY-PN SERIAL	REV.	QTY.	COD.	DESCRIPTION	MATERIAL	COLOUR	WEIGHT [g]	POS.
4-2306868-9	B	1	Z	CPA	PA66-GF30	RED	1.26	3
				TPA	PA66-GF30	TRAFFIC PURPLE		
				HOUSING	PBT-GF30	WATER BLUE		
4-2306868-6	B	1	F	CPA	PA66-GF30	RED	1.29	3
				TPA	PA66-GF30	TRAFFIC PURPLE		
				HOUSING	PBT-GF30	NUT BROWN		
4-2306868-5	B	1	E	CPA	PA66-GF30	RED	1.29	3
				TPA	PA66-GF30	TRAFFIC PURPLE		
				HOUSING	PBT-GF30	MAY GREEN		
4-2306868-4	B	1	D	CPA	PA66-GF30	RED	1.29	3
				TPA	PA66-GF30	TRAFFIC PURPLE		
				HOUSING	PBT-GF30	CLARET VIOLET		
4-2306868-3	B	1	C	CPA	PA66-GF30	RED	1.29	3
				TPA	PA66-GF30	TRAFFIC PURPLE		
				HOUSING	PBT-GF30	LIGHT BLUE		
4-2306868-2	B	1	B	CPA	PA66-GF30	RED	1.29	3
				TPA	PA66-GF30	TRAFFIC PURPLE		
				HOUSING	PBT-GF30	PURE WHITE		
4-2306868-1	B	1	A	CPA	PA66-GF30	RED	1.29	3
				TPA	PA66-GF30	TRAFFIC PURPLE		
				HOUSING	PBT-GF30	JET BLACK		
2-2306868-9	B	1	Z	CPA	PA66-GF30	RED	1.07	3
				TPA	PA66-GF30	TRAFFIC PURPLE		
				HOUSING	PA66-GF30	WATER BLUE		
2-2306868-6	B	1	F	CPA	PA66-GF30	RED	1.1	3
				TPA	PA66-GF30	TRAFFIC PURPLE		
				HOUSING	PA66-GF30	NUT BROWN		
2-2306868-5	B	1	E	CPA	PA66-GF30	RED	1.1	3
				TPA	PA66-GF30	TRAFFIC PURPLE		
				HOUSING	PA66-GF30	MAY GREEN		
2-2306868-4	B	1	D	CPA	PA66-GF30	RED	1.1	3
				TPA	PA66-GF30	TRAFFIC PURPLE		
				HOUSING	PA66-GF30	CLARET VIOLET		
2-2306868-3	B	1	C	CPA	PA66-GF30	RED	1.1	3
				TPA	PA66-GF30	TRAFFIC PURPLE		
				HOUSING	PA66-GF30	LIGHT BLUE		
2-2306868-2	B	1	B	CPA	PA66-GF30	RED	1.1	3
				TPA	PA66-GF30	TRAFFIC PURPLE		
				HOUSING	PA66-GF30	PURE WHITE		
2-2306868-1	B	1	A	CPA	PA66-GF30	RED	1.1	3
				TPA	PA66-GF30	TRAFFIC PURPLE		
				HOUSING	PA66-GF30	JET BLACK		

TE TE Connectivity

NAME: 2POS. MATE-AX, SOC HSG. ASSY, 180DEG 2pol. MATE-AX, Buchsengeh. Zsb, 180Grad

SIZE: A1 CAGE CODE: 00779 DRAWING NO: 116-94468

RESTRICTED TO: CUSTOMER DRAWING

SCALE: 1:1 SHEET: 2 OF 2 REV: B2