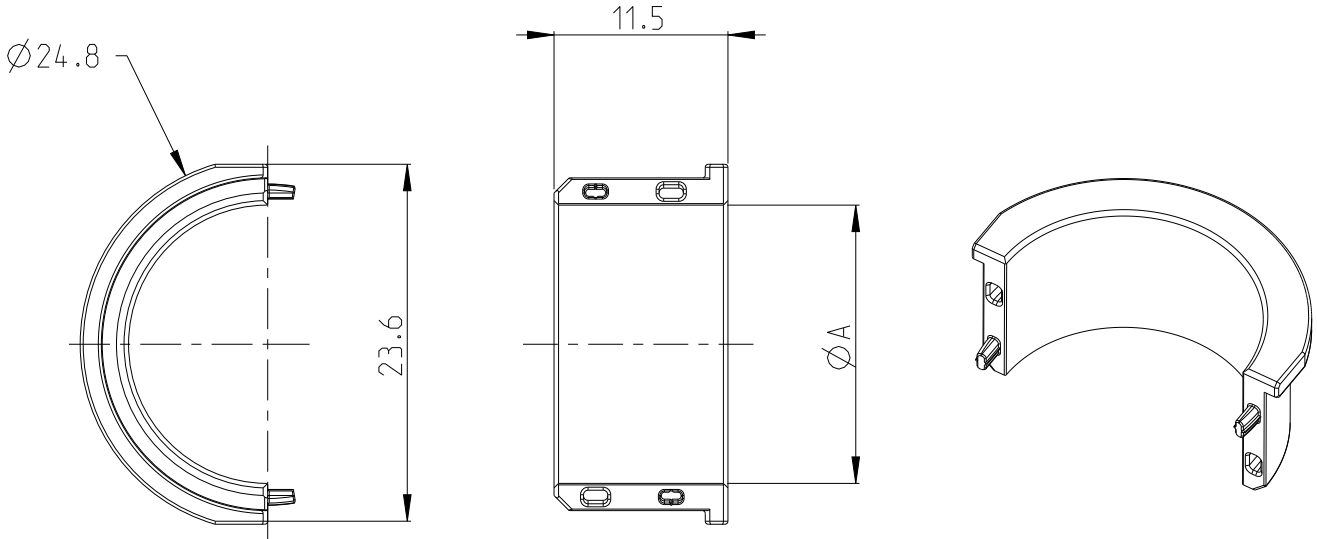


REVISIONS					
P	LTR	DESCRIPTION	DATE	DWN	APVD
	A	INITIAL DRAWING	12NOV2021	C.C	I.Y



- 1 MATERIAL: PA66-GF
COLOR: SEE TABLE
- 2. BULK PACKAGED

© 2021 TE Connectivity. All Rights Reserved.

2399666-3	INNER SPACER - 120SQ	BLACK	Ø18.4	22.2	23.0
2399666-2	INNER SPACER - 95SQ	NATURAL	Ø16.6	19.5	20.3
2399666-1	INNER SPACER - 70SQ	ORANGE	Ø14.1	16.7	17.3
PART NO.	DESCRIPTION	COLOR	DIA.A	MIN.	MAX.
				CABLE O.D.	

DIMENSIONS: mm		DWN C.CAO 12NOV2021	MATERIAL 1	FINISH	
TOLERANCES UNLESS OTHERWISE SPECIFIED: ±0.3		CHK J.LI 12NOV2021			
0 PLC ± 1 PLC ±0.1 2 PLC ±0.01 3 PLC ±0.001 4 PLC ±0.0001 ANGLES ±		APVD I.YIN 12NOV2021			
PRODUCT SPEC 108-160407		NAME INNER SPACER HVP-HD1400			
APPLICATION SPEC 114-160223		SIZE A 4	CAGE CODE 00779	DRAWING NO C-2399666	RESTRICTED TO -
WEIGHT		CUSTOMER DRAWING			
		SCALE 2:1	SHEET 1 OF 1	REV A	