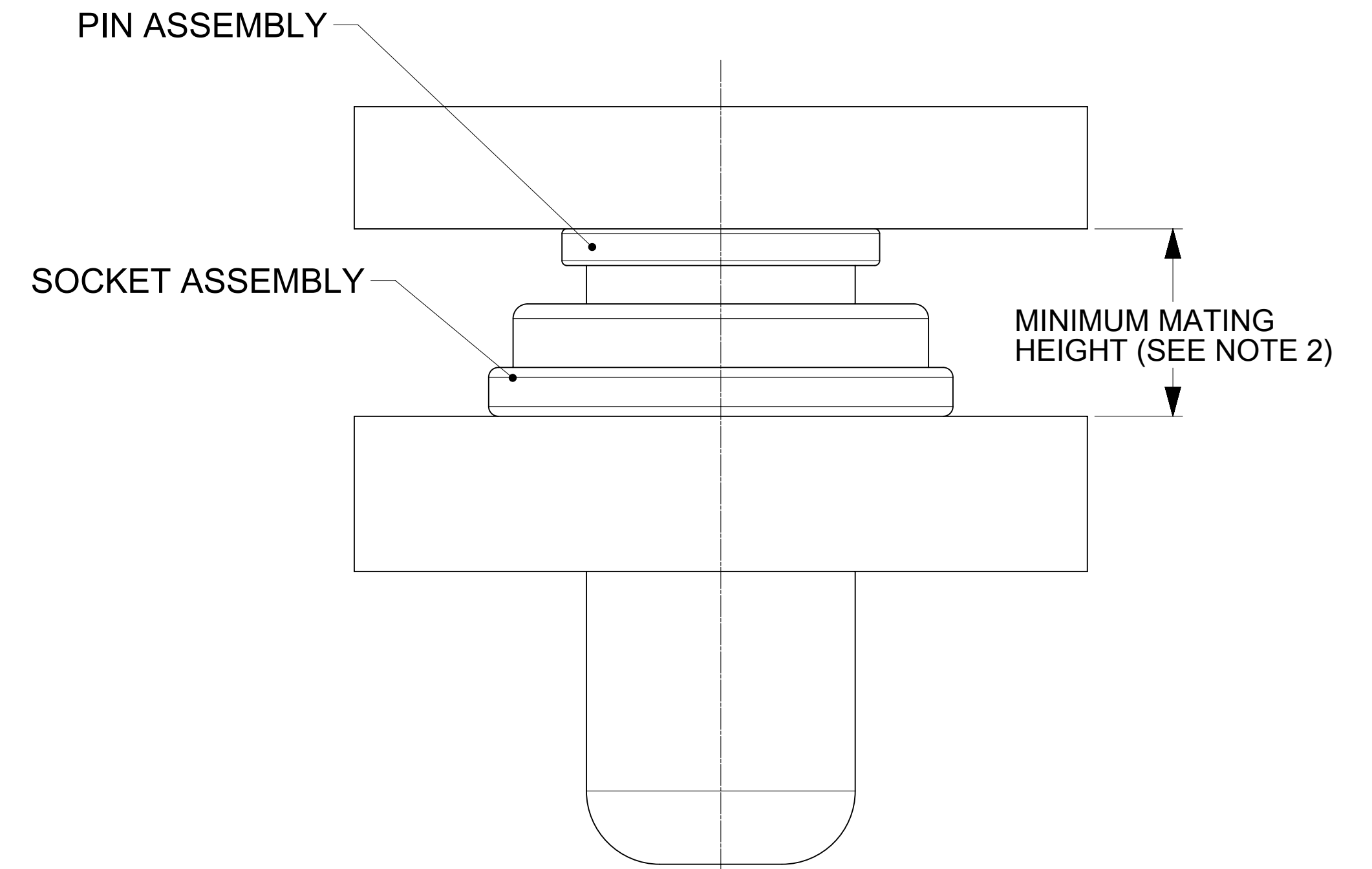
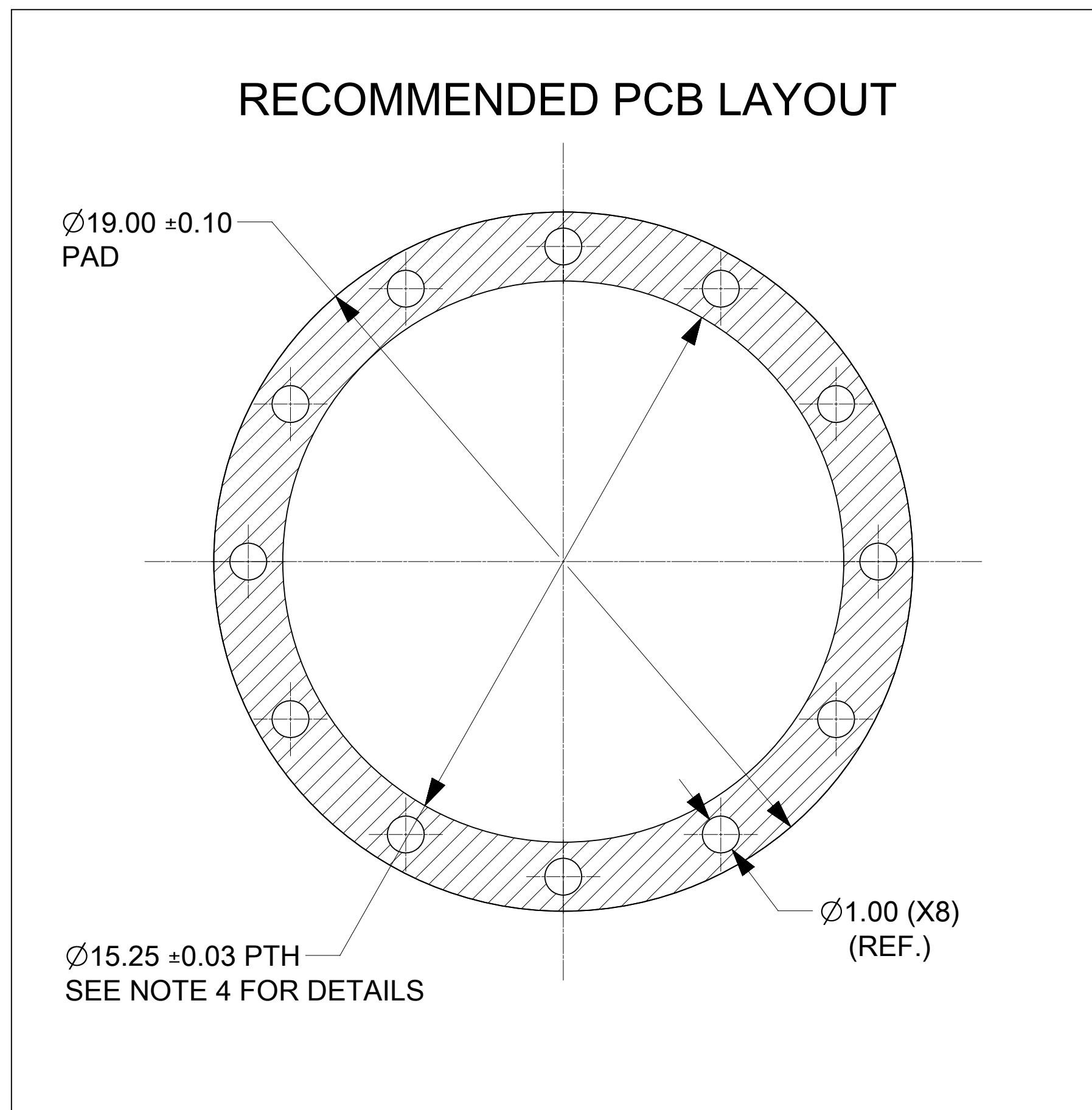
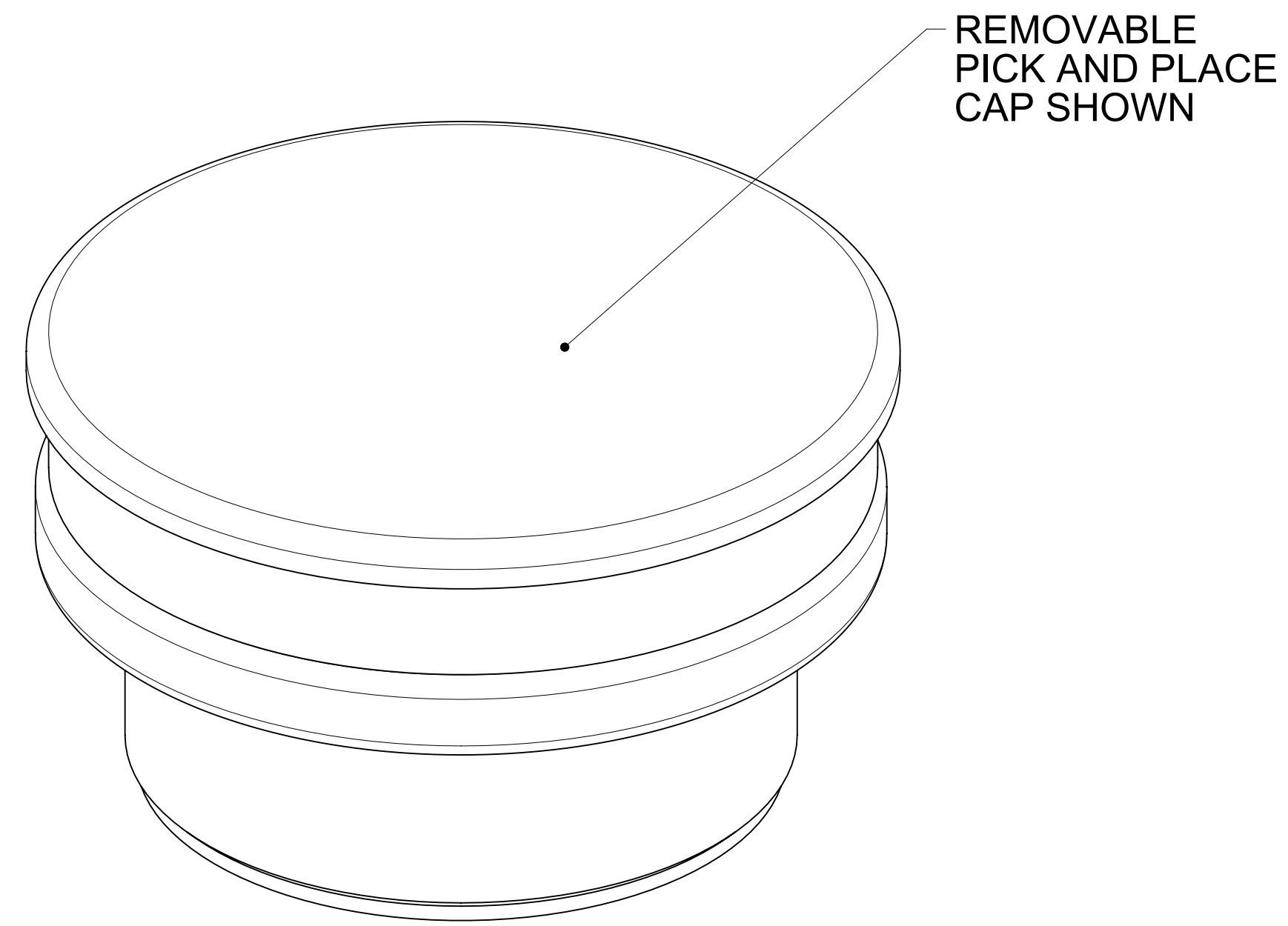


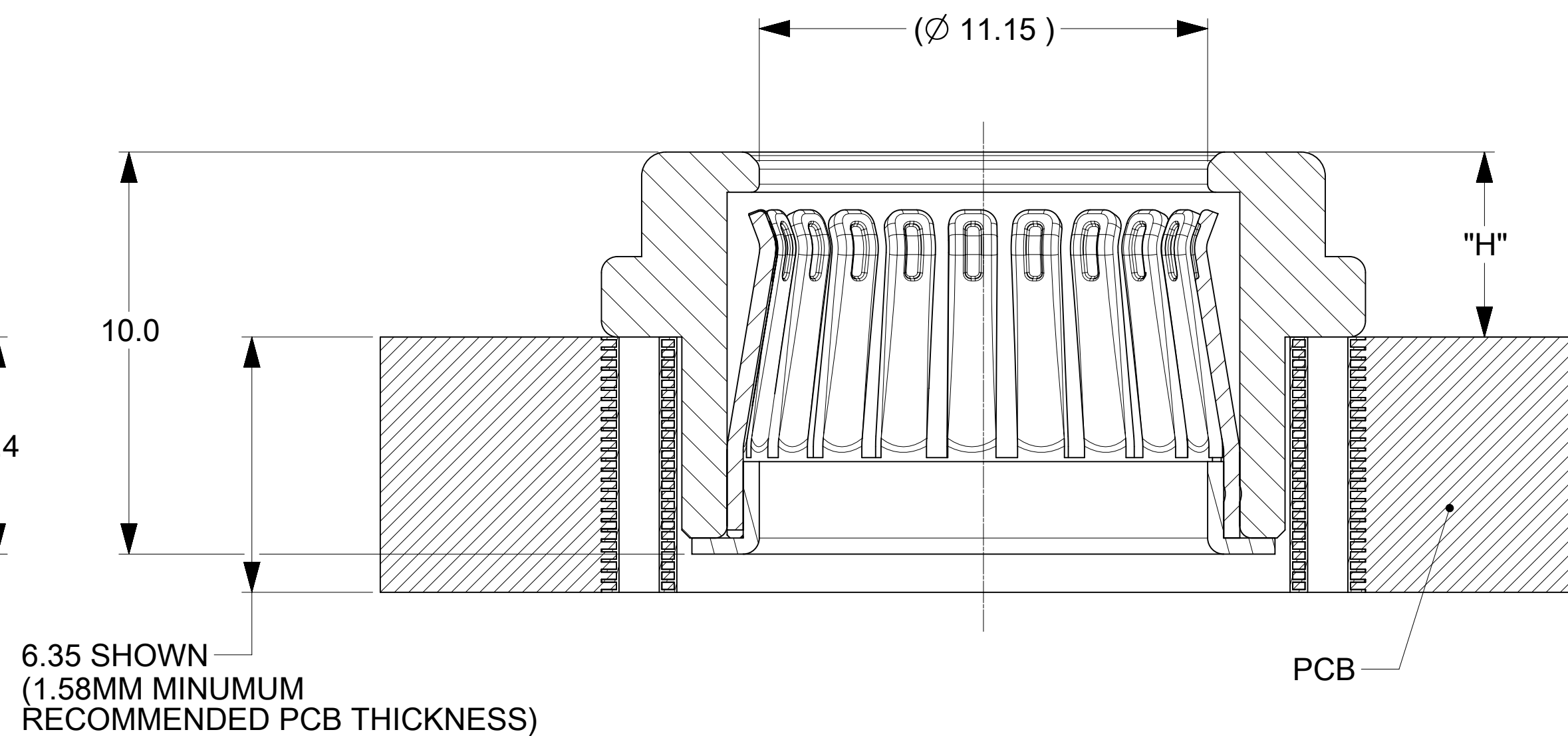
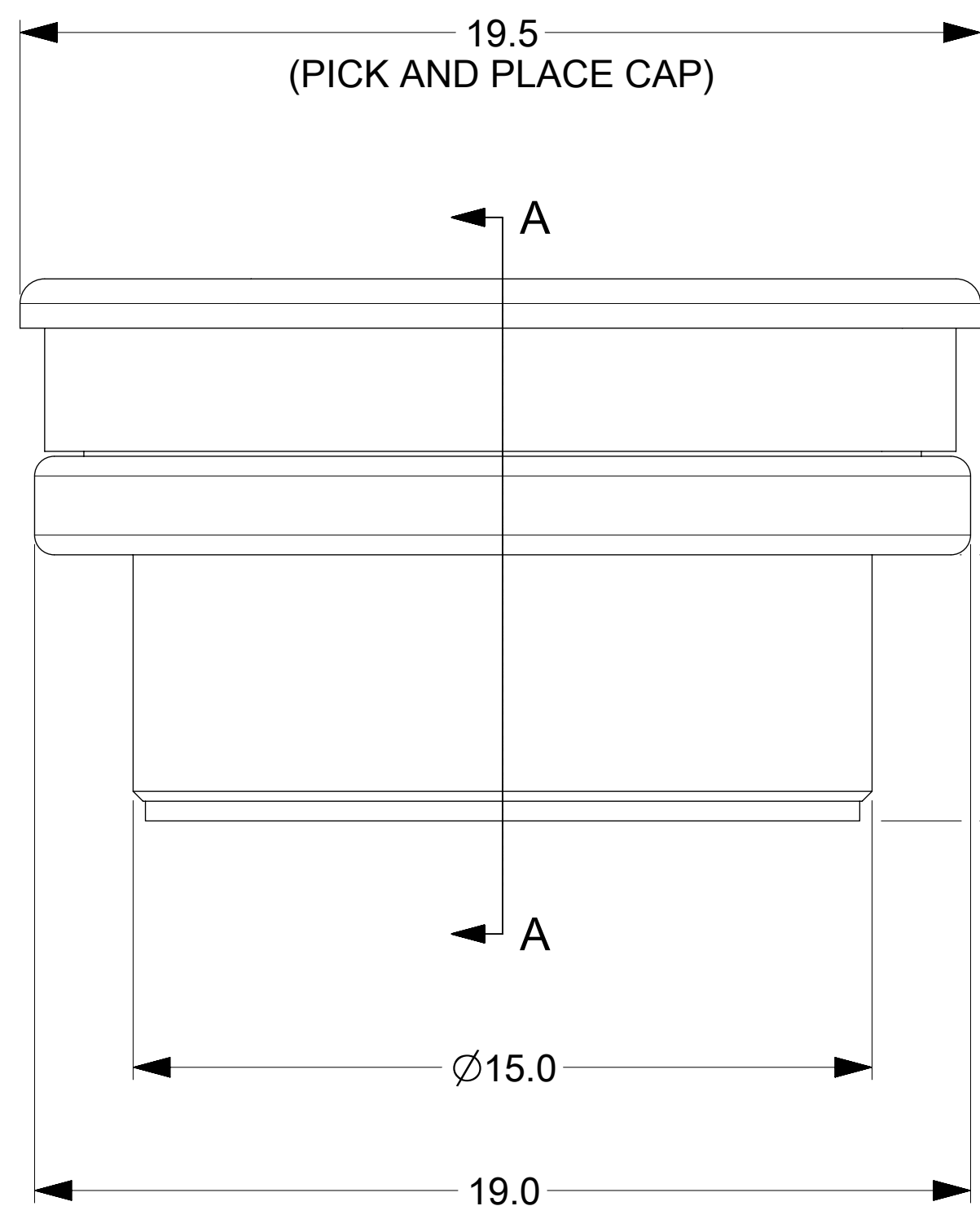
PART NUMBER	DIM "H"	NOTE
213953-0001	4.60 ± 0.15	



**MATING PROFILE**

**NOTES:**

1. MATERIALS:  
 RETENTION CAP: STAINLESS STEEL  
 PICK AND PLACE CAP: LCP UL94, V-0 COLOR BLACK  
 BASE METAL: HIGH CONDUCTIVE COPPER ALLOY  
 PLATING ON CONTACTS: 0.75 MICRON MIN GOLD OVER 1.27 MICRON MIN NICKEL  
 PLATING ON BODY: 3.18 MICRON MIN SILVER OVER 1.27 MICRON MIN NICKEL
2. MATES WITH MOLEX 11MM MALE PIN:
  - i. 11.0MM SMT MALE PIN DRAWING 213901-0000-SD, MIN. MATING DISTANCE 7.32MM
  - ii. 11.0MM PRESS FIT MALE PIN DRAWING 213900-0000-SD, MIN. MATING DISTANCE 7.67MM
  - iii. 11.0MM SCREW MOUNT MALE PIN DRAWING 213902-0000-SD MIN. MATING DISTANCE 10.67MM
3. PRODUCT SPECIFICATION: 2138800001-PS
4. APPLICATION SPECIFICATION: 2138800001-AS  
 SEE APPLICATION SPEC FOR SOLDERING INFORMATION.
5. PACKAGING SPECIFICATION: 2139530001-PK(TAPE AND REEL)
6. SILVER COMPONENTS WILL BE SUPPLIED TARNISH FREE BUT MAY TARNISH OVER TIME.
7. PICK AND PLACE CAP TO BE REMOVED AFTER SOLDERING. CAP TO BE PULLED OUT FROM THE TOP.



**SECTION A-A**  
(PICK AND PLACE CAP NOT SHOWN)

THIS DRAWING CONTAINS INFORMATION THAT IS PROPRIETARY TO MOLEX ELECTRONIC TECHNOLOGIES, LLC AND SHOULD NOT BE USED WITHOUT WRITTEN PERMISSION											
DIMENSION UNITS		SCALE		CURRENT REV DESC: UPDATED THE TOLERANCE VALUE AND THE TITLE BLOCK						<b>molex</b>	
mm		NTS									
GENERAL TOLERANCES (UNLESS SPECIFIED)				EC NO: 747243							
ANGULAR TOL				± 0.5°		DRWN: SOURAJ		2023/02/20		11.0MM CENTRALITY TOP ENTRY SMT STANDARD SOCKET IN T&R	
4 PLACES				±		CHK'D: SCS02		2023/04/25			
3 PLACES				±		APPR: HTHYAGARAJ		2023/04/26		PRODUCT CUSTOMER DRAWING	
2 PLACES				± 0.15		INITIAL REVISION:					
1 PLACE				± 0.25		DRWN: TOMLU		2020/02/11		DOCUMENT NUMBER <b>2139530000-SD</b>	
0 PLACES				±		APPR: BPISZCZOR		2020/10/16			
DRAFT WHERE APPLICABLE MUST REMAIN WITHIN DIMENSIONS				THIRD ANGLE PROJECTION		DRAWING		SERIES		DOC PART 000	
		D-SIZE		213953		MATERIAL NUMBER		CUSTOMER			
						SEE CHART		GENERAL MARKET		SHEET NUMBER 1 OF 1	