

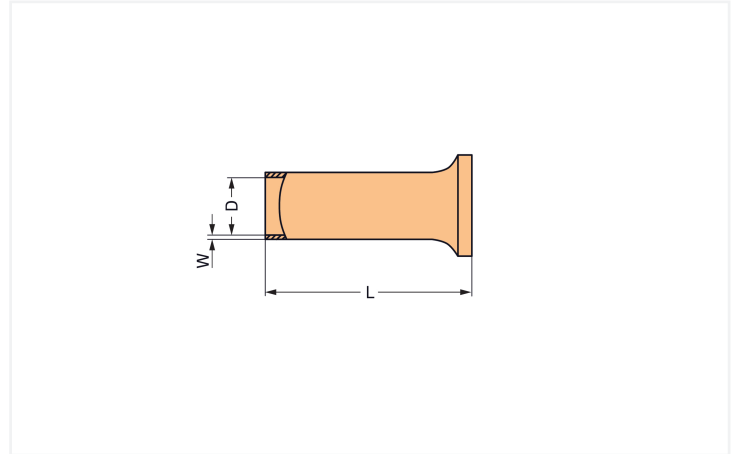
Data Sheet | Item Number: 216-143

Ferrule; Sleeve for 1 mm² / AWG 18; uninsulated; electro-tin plated; electrolytic copper; gastight crimped; acc. to DIN 46228, Part 1/08.92

<https://www.wago.com/216-143>



Similar to illustration



Dimensions in mm

Connection Data

Metric cross-section of the ferrule	1 mm ²
Strip length	10 mm / 0.39 inches
Cross-section (AWG) of ferrule	18 AWG

Physical data

Total length	10 mm
Wall thickness of crimp sleeve	0.15 mm
Diameter crimp sleeve inside	1.4 mm

Mechanical data

Plastic collar	No
----------------	----

Material data

Fire load	0 MJ
Weight	0.1 g

Commercial data

Product Group	2 (Terminal Block Accessories)
PU (SPU)	5000 (1000) pcs
Packaging type	Box
Country of origin	DE
GTIN	4044918016377
Customs tariff number	85369010000

Product Classification

UNSPSC	39121405
eCl@ss 10.0	27-40-02-01
eCl@ss 9.0	27-40-02-01
ETIM 9.0	EC000005
ETIM 10.0	EC000005
ECCN	NO US CLASSIFICATION

Environmental Product Compliance

RoHS Compliance Status	Compliant, No Exemption
------------------------	-------------------------

Downloads

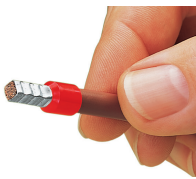
Environmental Product Compliance

Compliance Search	
Environmental Product Compliance 216-143	↓

Documentation

Bid Text			
216-143	19.02.2019	xml 2.87 KB	↓
216-143	13.06.2017	doc 23.00 KB	↓

Installation Notes



A perfect gas-tight crimp – both electrically and mechanically reliable

Subject to changes. Please also observe the further product documentation!

Current addresses can be found at: www.wago.com