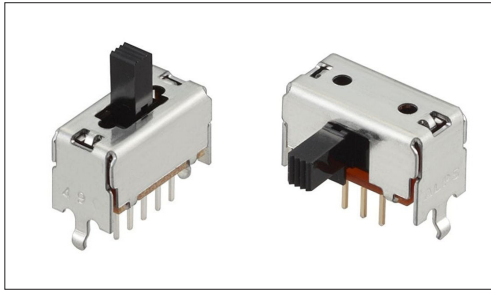


8.5 (H) mm, 2.0mm-travel

SSSF Series

Large general-purpose type with a proven track record across diverse industries.



- Rating (max.)/(min.) (Resistive load): 0.1 A 30V DC/50 μ A 3V DC
- Contact resistance (Initial performance/After lifetime):
25m Ω max./65m Ω max.
- Operating life without load: 10,000 cycles 45m Ω max.
- Operating life with load (at max. rated load): 10,000 cycles 65m Ω max.

Applications: Audio_TV: Audio

■ Product List

Products No.	Actuator directions	Travel (mm)	Poles	Positions	Operating force	Changeover timing	Soldering	Dimensions (WxDxH) (mm)	Automotive	Drawing No.
SSSF011700	Vertical	2.0	1	2	Refer to the dimensions.	Non shorting	Manual, Dip	14.5×7.0×8.5	—	1
SSSF012100	Vertical	2.0	1	2	Refer to the dimensions.	Non shorting	Manual, Dip	14.5×7.0×8.5	—	2
SSSF014800	Vertical	2.0	1	3	Refer to the dimensions.	Non shorting	Manual, Dip	14.5×7.0×8.5	—	3
SSSF021500	Vertical	2.0	2	2	Refer to the dimensions.	Non shorting	Manual, Dip	14.5×7.0×8.5	—	4
SSSF021900	Vertical	2.0	2	2	Refer to the dimensions.	Non shorting	Manual, Dip	14.5×7.0×8.5	—	5
SSSF024800	Vertical	2.0	2	3	Refer to the dimensions.	Non shorting	Manual, Dip	14.5×7.0×8.5	—	6
SSSF025100	Vertical	2.0	2	3	Refer to the dimensions.	Non shorting	Manual, Dip	14.5×7.0×8.5	—	7
SSSF040800	Vertical	2.0	4	2	Refer to the dimensions.	Non shorting	Manual, Dip	16.5×7.0×8.5	—	8
SSSF111800	Horizontal	2.0	1	2	Refer to the dimensions.	Non shorting	Manual, Dip	14.5×7.0×8.5	—	9
SSSF112500	Horizontal	2.0	1	2	Refer to the dimensions.	Non shorting	Manual, Dip	14.5×7.0×8.5	—	10
SSSF114900	Horizontal	2.0	1	3	Refer to the dimensions.	Non shorting	Manual, Dip	14.5×7.0×8.5	—	11
SSSF115300	Horizontal	2.0	1	3	Refer to the dimensions.	Non shorting	Manual, Dip	14.5×7.0×8.5	—	12
SSSF121900	Horizontal	2.0	2	2	Refer to the dimensions.	Non shorting	Manual, Dip	14.5×7.0×8.5	—	13
SSSF122400	Horizontal	2.0	2	2	Refer to the dimensions.	Non shorting	Manual, Dip	14.5×7.0×8.5	—	14
SSSF125300	Horizontal	2.0	2	3	Refer to the dimensions.	Non shorting	Manual, Dip	14.5×7.0×8.5	—	15
SSSF125800	Horizontal	2.0	2	3	Refer to the dimensions.	Non shorting	Manual, Dip	14.5×7.0×8.5	—	16
SSSF141000	Horizontal	2.0	4	2	Refer to the dimensions.	Non shorting	Manual, Dip	16.5×7.0×8.5	—	17
SSSF141300	Horizontal	2.0	4	2	Refer to the dimensions.	Non shorting	Manual, Dip	16.5×7.0×8.5	—	18

⚠ Note

1. This catalog shows only outline specifications. When using the products, please obtain formal specifications for supply.
2. Please place purchase orders per minimum order unit (integer).

8.5 (H) mm, 2.0mm-travel
SSSF Series

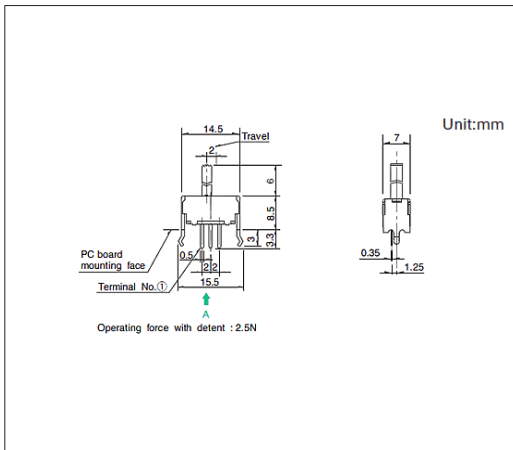
■ Packing Specifications

Bulk

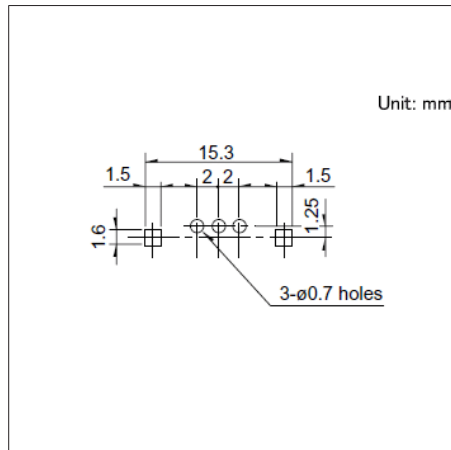
Products No.	Number of packages (pcs.)		Export package measurements (mm)
	1 case / Japan	1 case / export packing	
SSSF011700 SSSF012100 SSSF014800 SSSF021500 SSSF021900 SSSF024800 SSSF025100 SSSF040800 SSSF112500 SSSF115300 SSSF122400 SSSF125800 SSSF141000 SSSF141300	800	4,000	400 x 270 x 290
SSSF111800 SSSF114900 SSSF121900 SSSF125300	600	3,000	400 x 270 x 290

Drawing No.1

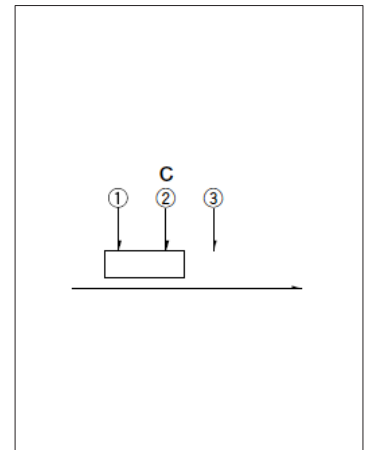
■ Dimensions



■ Mounting Hole Dimensions



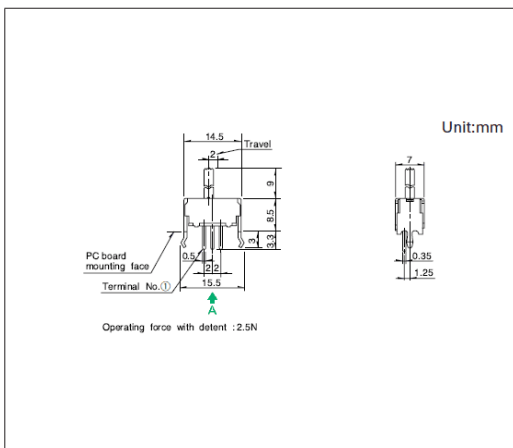
■ Circuit Diagram



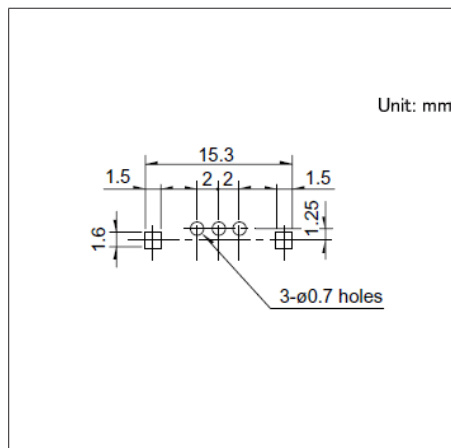
Viewed from direction A in the dimensions.

Drawing No.2

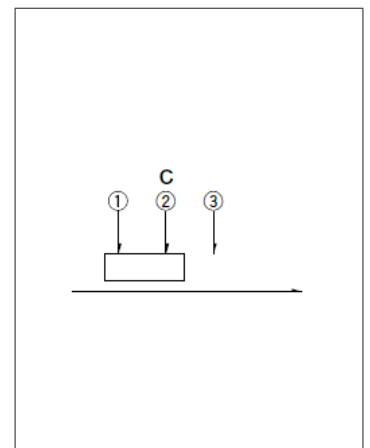
■ Dimensions



■ Mounting Hole Dimensions



■ Circuit Diagram



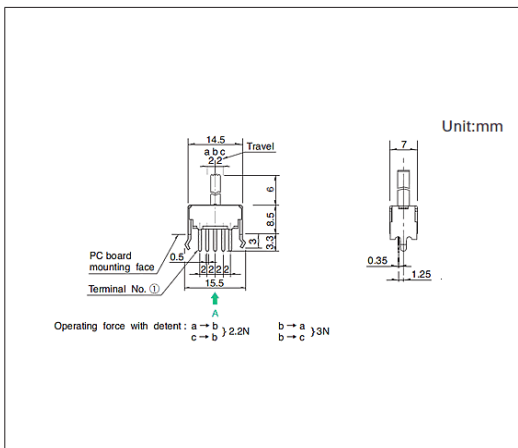
Viewed from direction A in the dimensions.

Switches Slide Switches

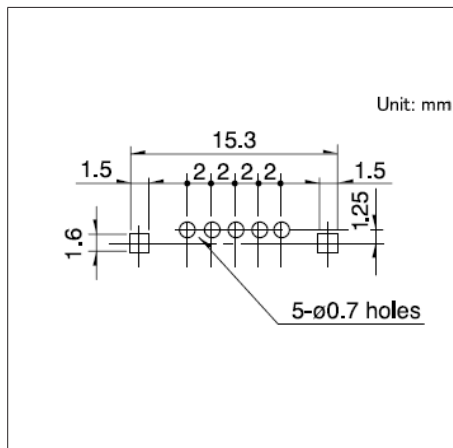
8.5 (H) mm, 2.0mm-travel
SSSF Series

Drawing No.3

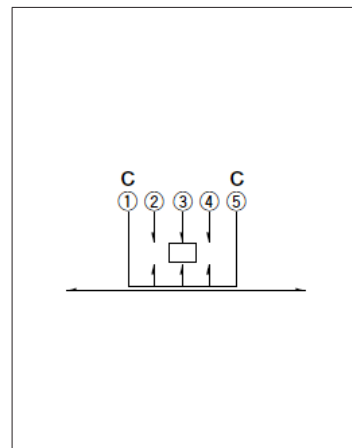
■ Dimensions



■ Mounting Hole Dimensions



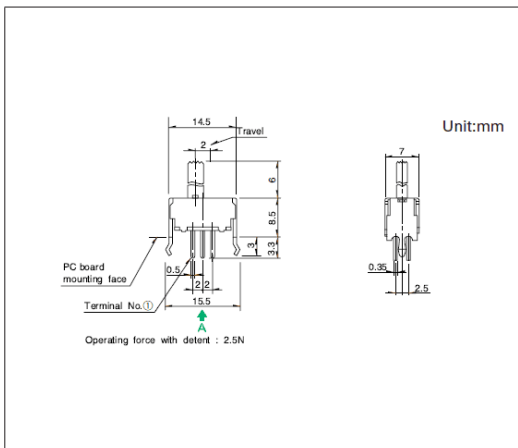
■ Circuit Diagram



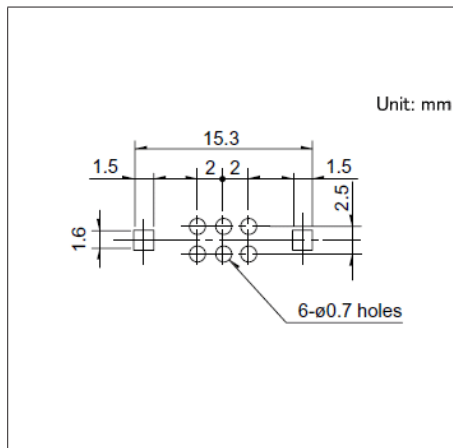
Viewed from direction A in the dimensions.

Drawing No.4

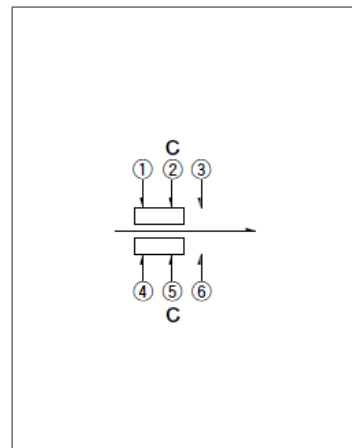
■ Dimensions



■ Mounting Hole Dimensions



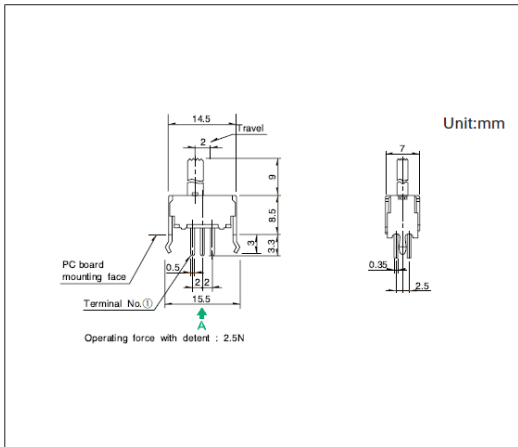
■ Circuit Diagram



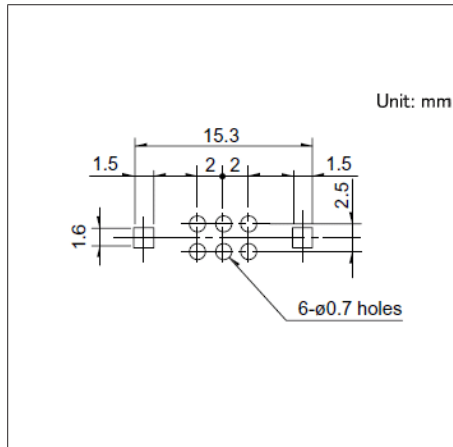
Viewed from direction A in the dimensions.

Drawing No.5

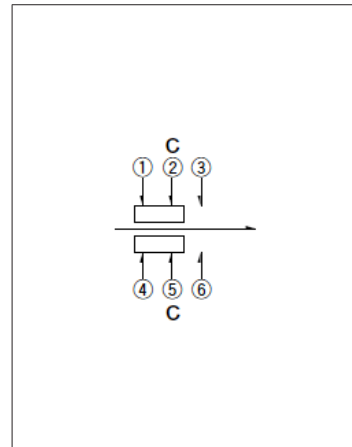
■ Dimensions



■ Mounting Hole Dimensions



■ Circuit Diagram



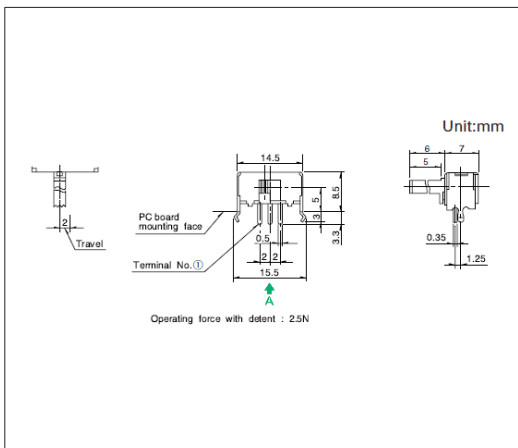
Viewed from direction A in the dimensions.

Switches Slide Switches

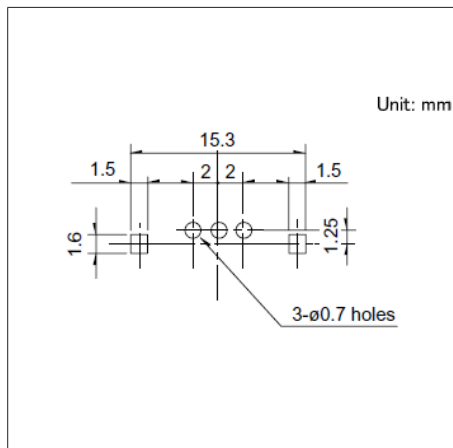
8.5 (H) mm, 2.0mm-travel
SSSF Series

Drawing No.9

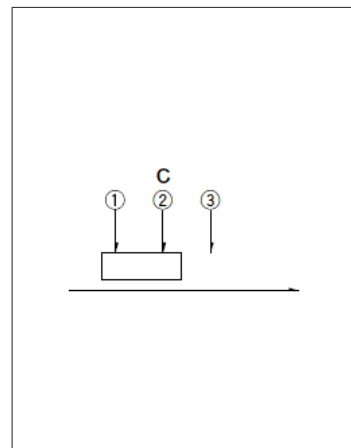
■ Dimensions



■ Mounting Hole Dimensions



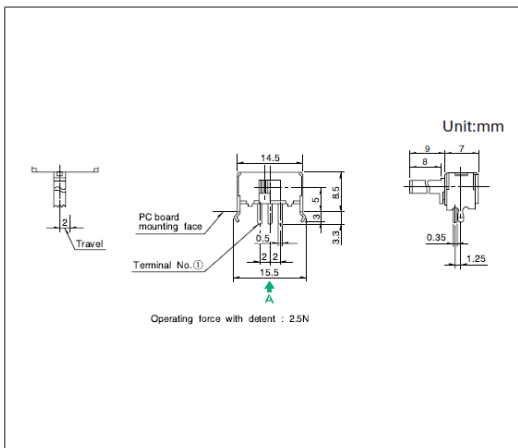
■ Circuit Diagram



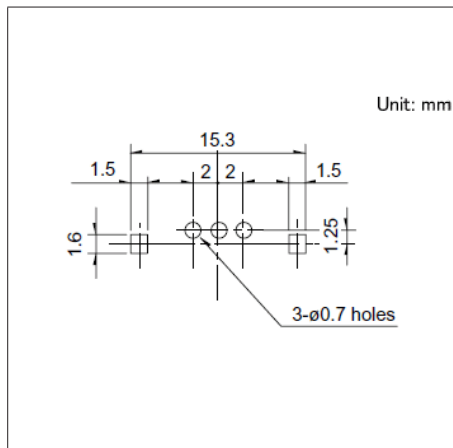
Viewed from direction A in the dimensions.

Drawing No.10

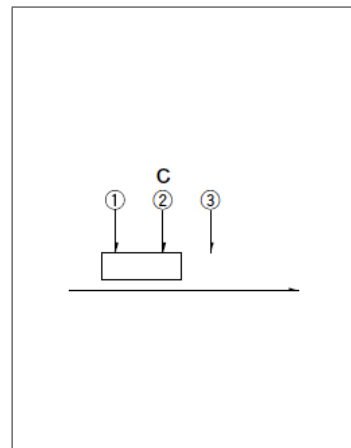
■ Dimensions



■ Mounting Hole Dimensions



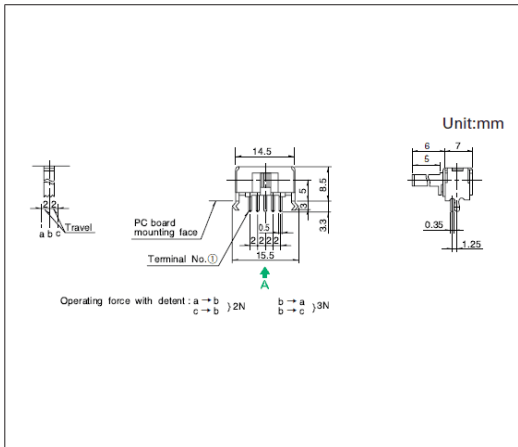
■ Circuit Diagram



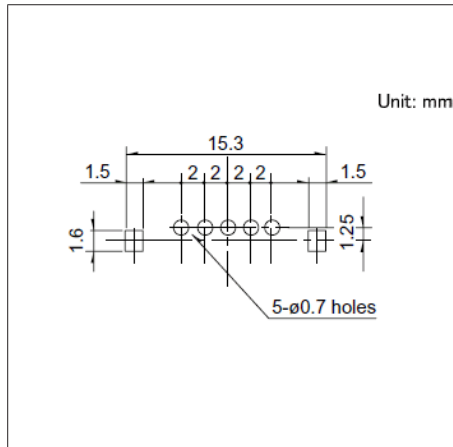
Viewed from direction A in the dimensions.

Drawing No.11

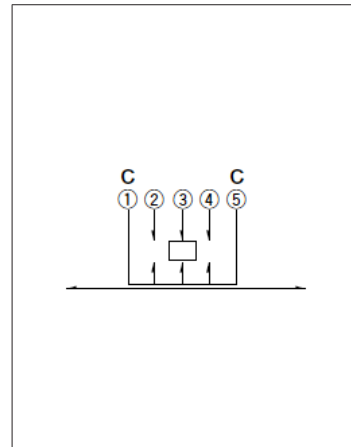
■ Dimensions



■ Mounting Hole Dimensions



■ Circuit Diagram



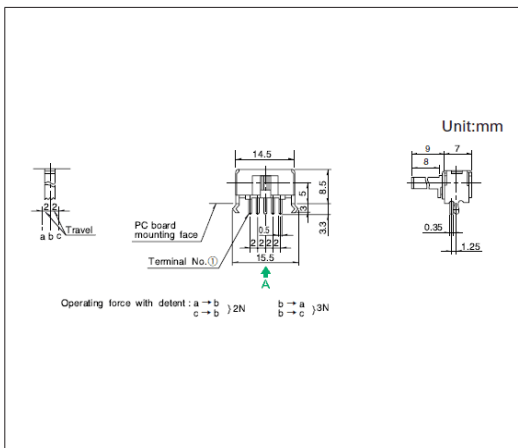
Viewed from direction A in the dimensions.

Switches Slide Switches

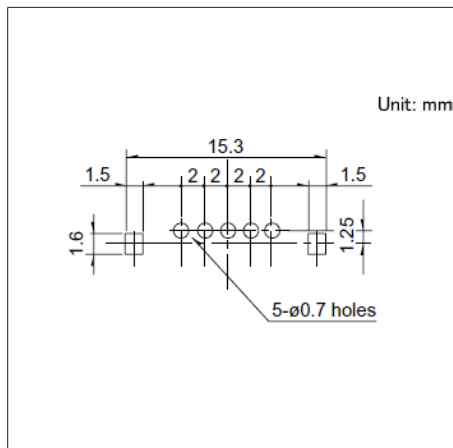
8.5 (H) mm, 2.0mm-travel
SSSF Series

Drawing No.12

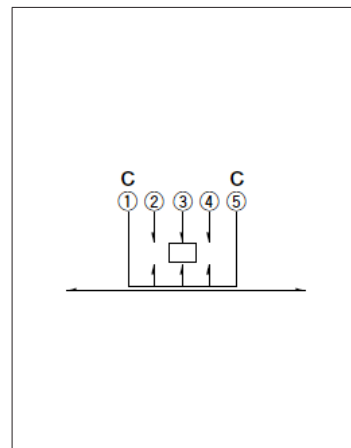
■ Dimensions



■ Mounting Hole Dimensions



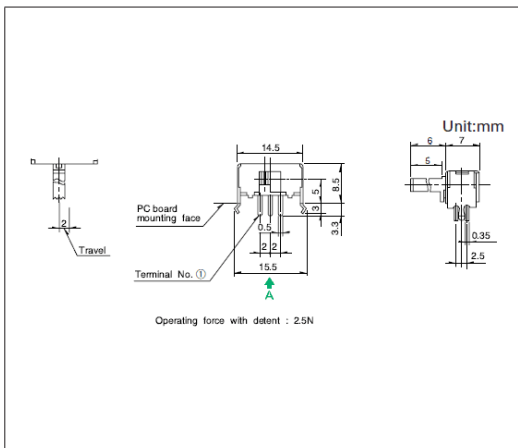
■ Circuit Diagram



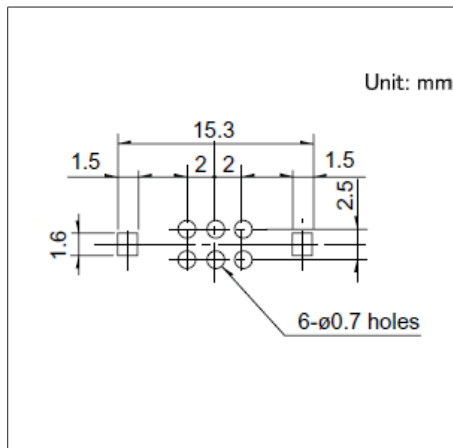
Viewed from direction A in the dimensions.

Drawing No.13

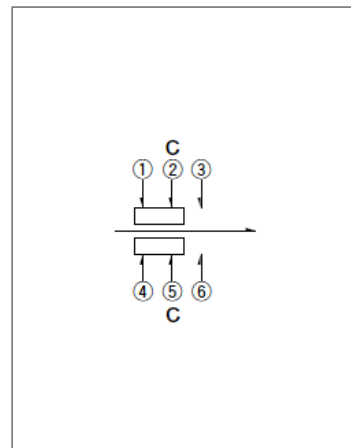
■ Dimensions



■ Mounting Hole Dimensions



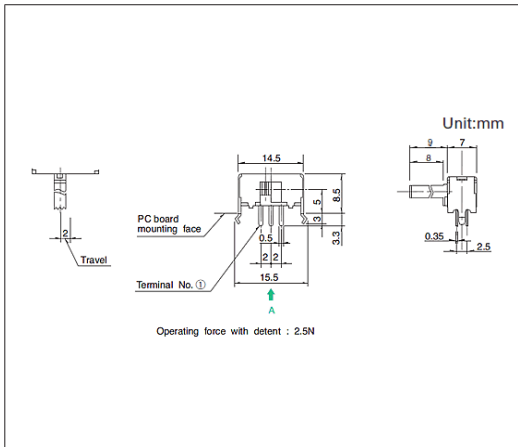
■ Circuit Diagram



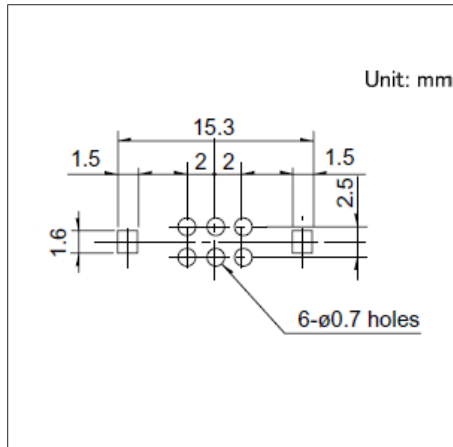
Viewed from direction A in the dimensions.

Drawing No.14

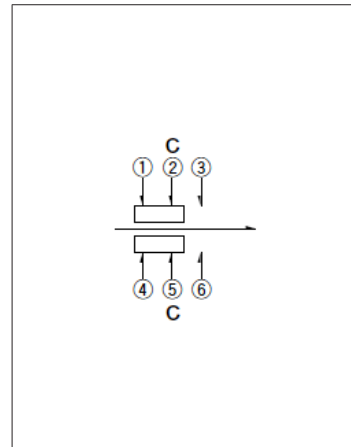
■ Dimensions



■ Mounting Hole Dimensions



■ Circuit Diagram

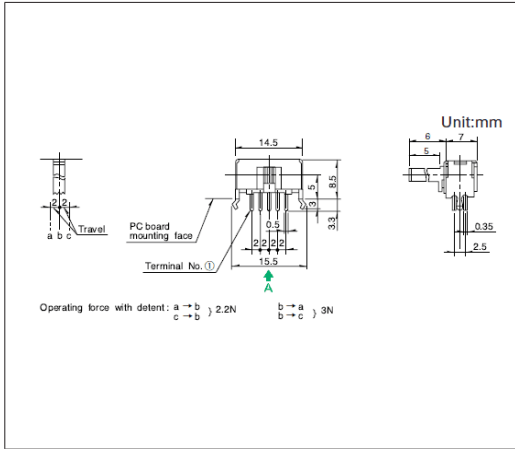


Viewed from direction A in the dimensions.

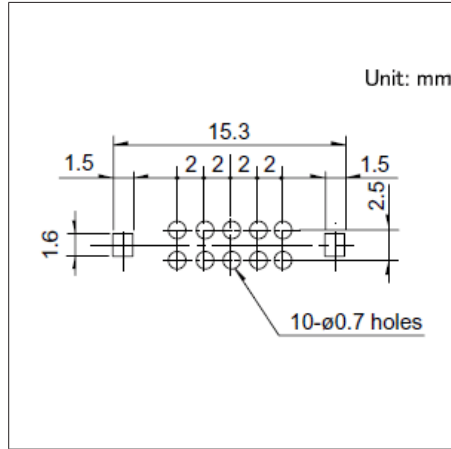
8.5 (H) mm, 2.0mm-travel
SSSF Series

Drawing No.15

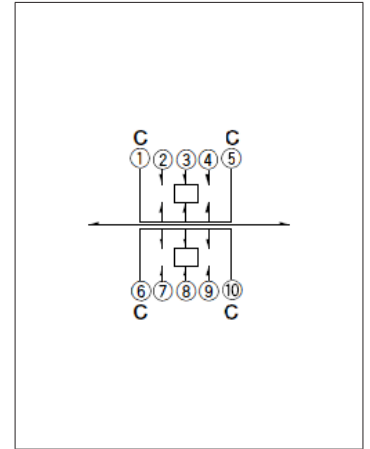
■ Dimensions



■ Mounting Hole Dimensions



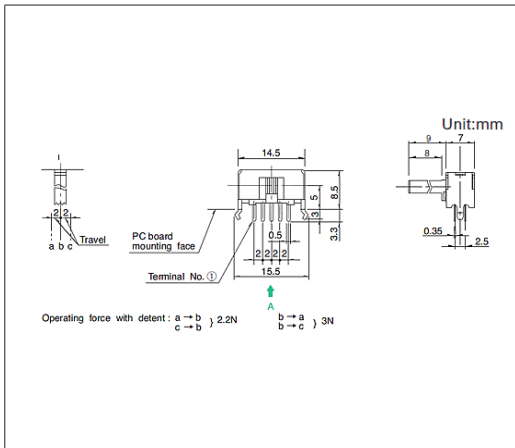
■ Circuit Diagram



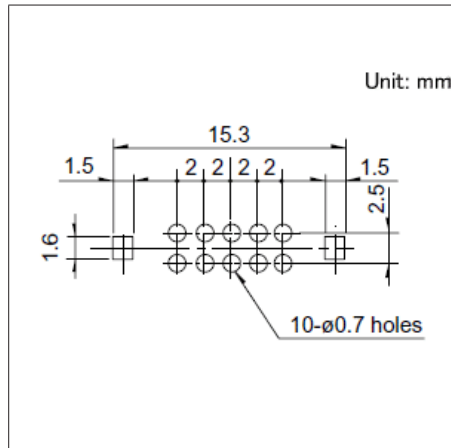
Viewed from direction A in the dimensions.

Drawing No.16

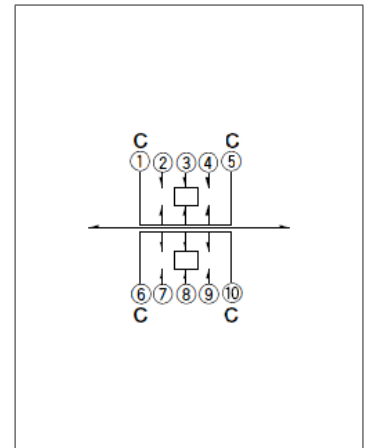
■ Dimensions



■ Mounting Hole Dimensions



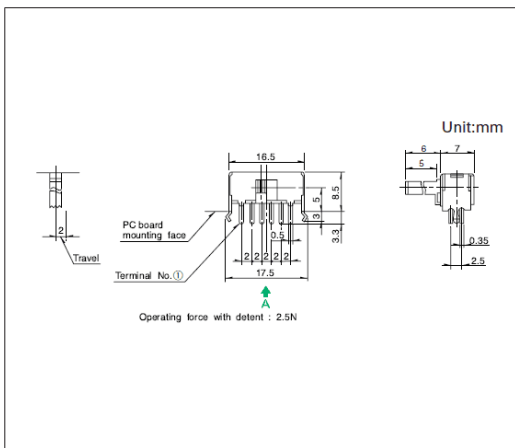
■ Circuit Diagram



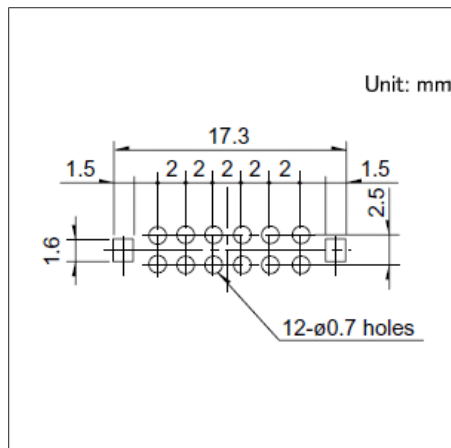
Viewed from direction A in the dimensions.

Drawing No.17

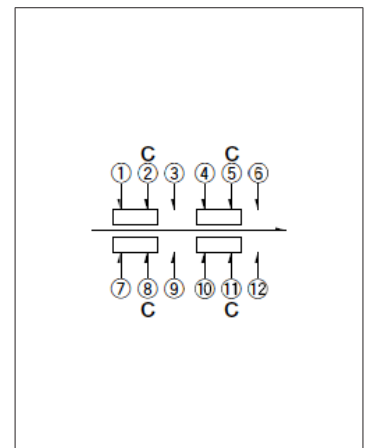
■ Dimensions



■ Mounting Hole Dimensions



■ Circuit Diagram



Viewed from direction A in the dimensions.

