

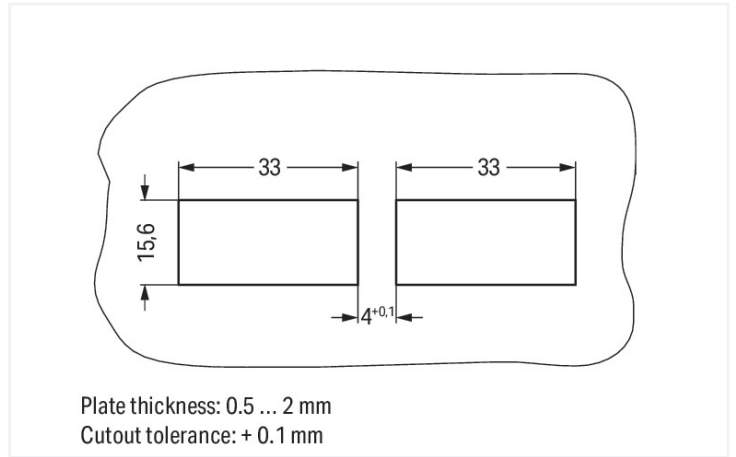
Data Sheet | Item Number: 770-506/029-000

Strain relief housing; 6-pole; for 2 cables; 8.5 ... 13.5 mm; 55 mm; black

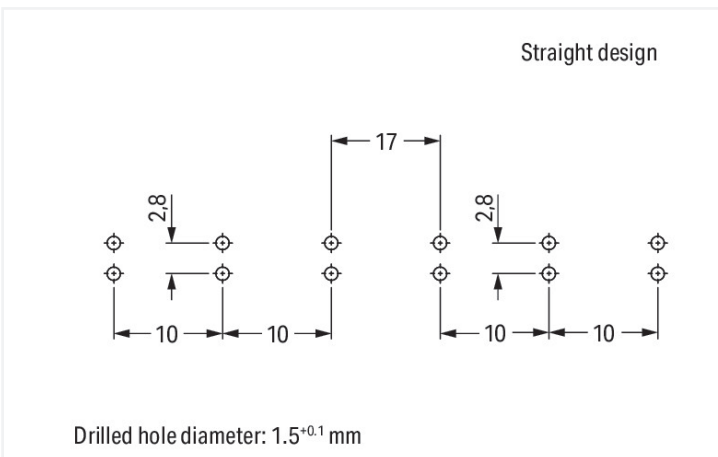
<https://www.wago.com/770-506/029-000>



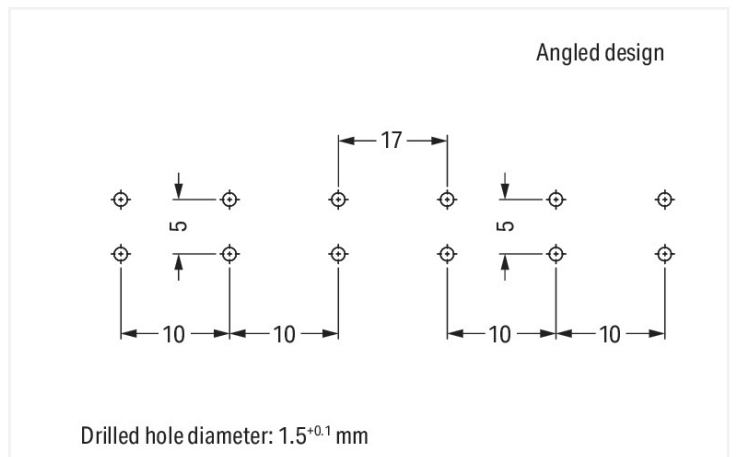
Color: ■ black



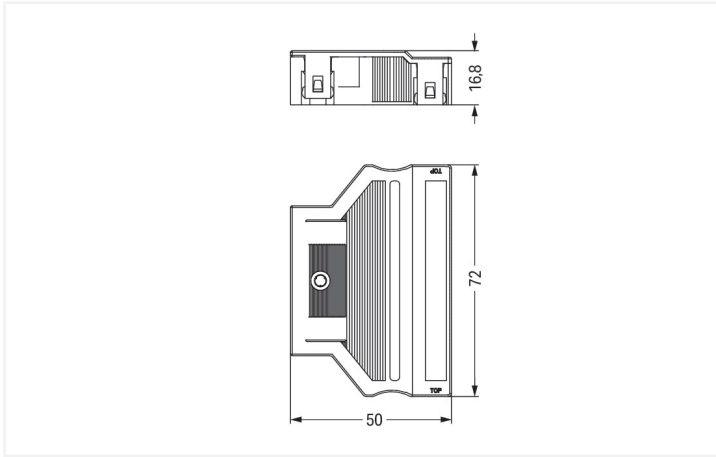
Dimensions in mm



Dimensions in mm



Dimensions in mm



Dimensions in mm

### Strain relief housing *WINSTA*® MIDI 6-pole

When using the strain relief housing from the *WINSTA*® MIDI product line, zero-defect electrical installation is guaranteed. A comprehensive range of accessories complements the *WINSTA*® product line from WAGO. The *WINSTA*® MIDI product line guarantees total flexibility for the installation of applications. Through its Push-in CAGE CLAMP® spring pressure connection technology, it achieves error-free, time-saving installation and offers flexibility for meeting an enormous variety of installation requirements. The strip length is 55 mm.

Lower costs through fast commissioning and elimination of service expenses – solutions from *WINSTA*® MIDI

*WINSTA*® is the pluggable connection system that is optimally tailored to the strict requirements of electrical installation. It ensures error-free installation of cables and components, quickly and reliably. Choose quality and durability – with protection against mismatching from WAGO makes the installation of electrical components noticeably easier.

- pre-assembled versions
- quick replacement of defective units during ongoing operation

## Notes

### General safety information

### NOTICE: Observe installation and safety instructions!

1. Only to be used by a qualified electrician or by a person electrically instructed for the task (EIP per DIN VDE 0105-100).
2. Do not install while energized or under load.
3. Use only for its intended purpose.
4. Observe applicable national regulations, standards and directives.
5. Observe the technical specifications of the products.
6. Ensure correct polarity assignment.
7. Do not use damaged or contaminated components.
8. Observe conductor types, conductor cross-sections, strip lengths and cable diameters.
9. Insert conductors up to the stop.
10. Use only with locking lever and strain relief.
11. Use original accessories only.

**To be sold only with installation instructions!**

## Connection Data

### Connection 1

Pole number	6
Connectable sheathed cable diameter	8.5 ... 13.5 mm
Strip length (outer insulation)	55 mm

### Physical data

Pin spacing	10 mm / 0.394 inches
Width	72 mm / 2.835 inches
Height	16.8 mm / 0.661 inches
Depth	50 mm / 1.969 inches

### Material data

Note (material data)	<a href="#">Information on material specifications can be found here</a>
Color	black
Insulation material (main housing)	Polyamide (PA66)
Flammability class per UL94	V0
Fire load	0.422 MJ
Weight	16.1 g

### Environmental requirements

Processing temperature	-5 ... +40 °C
Continuous operating temperature	-35 ... +85 °C
Note on continuous operating temperature	Insulating parts for temperatures ≤ 105 °C

### Commercial data

PU (SPU)	20 pcs
Packaging type	Box
Country of origin	DE
GTIN	4045454001773
Customs tariff number	39269097900

### Product Classification

UNSPSC	39121421
eCl@ss 10.0	27-44-06-92
eCl@ss 9.0	27-44-06-92
ETIM 9.0	EC002863
ETIM 10.0	EC002863
ECCN	NO US CLASSIFICATION

### Environmental Product Compliance

RoHS Compliance Status	Compliant, No Exemption
------------------------	-------------------------

### Approvals / Certificates

#### Approvals for marine applications



Approval	Standard	Certificate Name
LR Lloyds Register	IEC 61984	LR22429487TA

## Downloads

### Environmental Product Compliance

#### Compliance Search

Environmental Product Compliance  
770-506/029-000



## Documentation

### Bid Text

770-506/029-000	19.02.2019	xml 2.84 KB	
770-506/029-000	06.01.2015	doc 23.50 KB	

## CAD/CAE-Data

### CAD data

2D/3D Models  
770-506/029-000



### CAE data

WSCAD Universe  
770-506/029-000



ZUKEN Portal  
770-506/029-000



## 1 Compatible Products

### 1.1 Optional Accessories

#### 1.1.1 Marking

##### 1.1.1.1 Marking strip

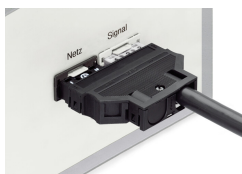
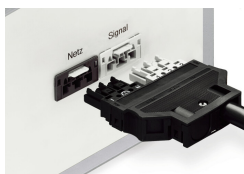


#### Item No.: 210-333

Marking strips; as a DIN A4 sheet; Strip width 6 mm; Strip length 182 mm; plain; Self-adhesive; white

## Installation Notes

### Application



Snap-on type strain relief housings for:

- Two 3-pole sockets
- Two 3-pole plugs
- Three-pole socket and plug

Subject to changes. Please also observe the further product documentation!

---

Current addresses can be found at: [www.wago.com](http://www.wago.com)