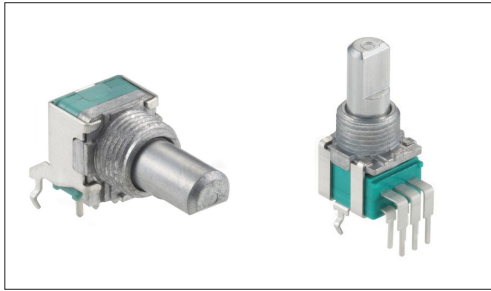


Potentiometers Rotary Potentiometer (Metal shaft type)

9mm Size Metal Shaft Snap-in Type RK09L Series

Wide variety of single- or dual-gang options, ideal for various control applications.



- Total resistance tolerance: $\pm 20\%$
- Maximum operating voltage: 50V AC, 10V DC
- Rotational torque: 2 to 25mN·m
- Operating life: 15,000 cycles
- Operating temperature range: -10°C to $+70^{\circ}\text{C}$

Applications: Home: Major home appliances, Office equipment
Audio_TV: Visual, Audio, Pro audio

■ Product List

Products No.	Number of resistor elements	Control part orientation	Shaft types	Length of the shaft (mm)	Detent	Total resistance	Resistance taper	Automotive	Drawing No.
RK09L1120A5F	Single-unit	Horizontal	Flat	15	Without	10k Ω	1B	—	1
RK09L1120036	Single-unit	Horizontal	Flat	15	Center detent	10k Ω	1B	—	
RK09L1120A0Z	Single-unit	Horizontal	Flat	20	Without	10k Ω	1B	—	2
RK09L112003S	Single-unit	Horizontal	Flat	20	Center detent	10k Ω	1B	—	
RK09L1140A5L	Single-unit	Vertical	Flat	15	Without	10k Ω	1B	—	3
RK09L114001E	Single-unit	Vertical	Flat	15	Center detent	10k Ω	1B	—	
RK09L1140A2U	Single-unit	Vertical	Flat	20	Without	10k Ω	1B	—	4
RK09L114001T	Single-unit	Vertical	Flat	20	Center detent	10k Ω	1B	—	
RK09L122002H	Dual-unit	Horizontal	Flat	15	Center detent	10k Ω	1B	—	5
RK09L122002L	Dual-unit	Horizontal	Flat	25	Center detent	10k Ω	1B	—	6
RK09L12B0A4S	Dual-unit	Horizontal	Flat	15	Without	10k Ω	15A	—	5
RK09L12B0A1V	Dual-unit	Horizontal	Flat	25	Without	10k Ω	15A	—	6
RK09L1240015	Dual-unit	Vertical	Flat	15	Center detent	10k Ω	1B	—	7
RK09L1240019	Dual-unit	Vertical	Flat	20	Center detent	10k Ω	1B	—	8
RK09L12D0A1W	Dual-unit	Vertical	Flat	15	Without	10k Ω	15A	—	7
RK09L12D0A1T	Dual-unit	Vertical	Flat	20	Without	10k Ω	15A	—	8

⚠ Note

1. This catalog shows only outline specifications. When using the products, please obtain formal specifications for supply.
2. Please place purchase orders per minimum order unit (integer).
3. Products other than those listed in above products are also available. Please contact us for details.

■ Packing Specifications

Tray

Number of packages (pcs.)		Export package measurements (mm)
1 case / Japan	1 case / export packing	
1,000	2,000	479 x 369 x 181

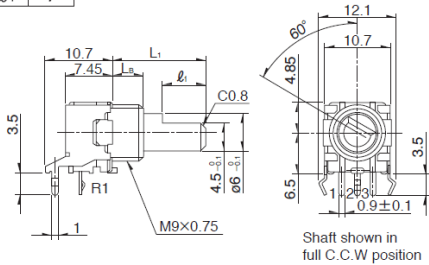
9mm Size Metal Shaft Snap-in Type
RK09L Series

Drawing No.1

■ Dimensions

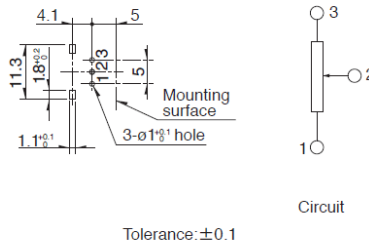
L_1	15
L_B	5
l_1	7

Unit:mm



■ Mounting Hole Dimensions

Unit:mm



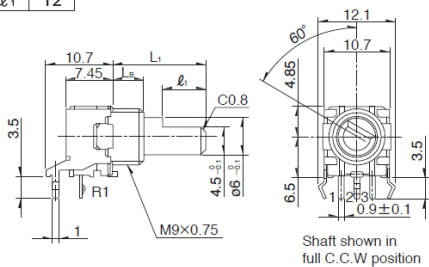
Viewed from mounting side.

Drawing No.2

■ Dimensions

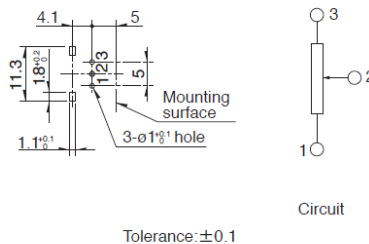
L_1	20
L_B	7
l_1	12

Unit:mm



■ Mounting Hole Dimensions

Unit:mm



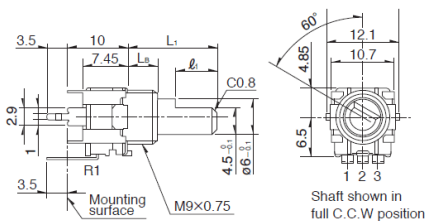
Viewed from mounting side.

Drawing No.3

■ Dimensions

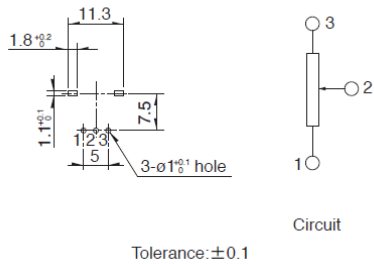
L_1	15
L_B	5
l_1	7

Unit:mm



■ Mounting Hole Dimensions

Unit:mm

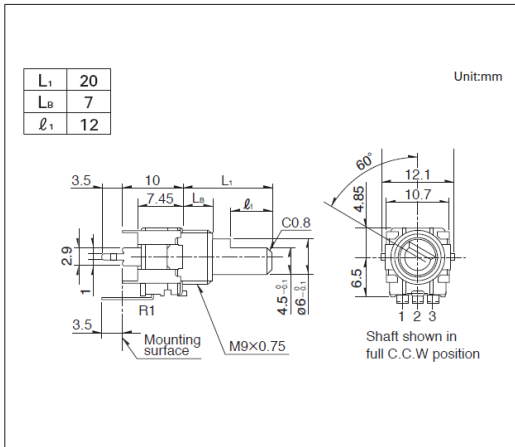


Viewed from mounting side.

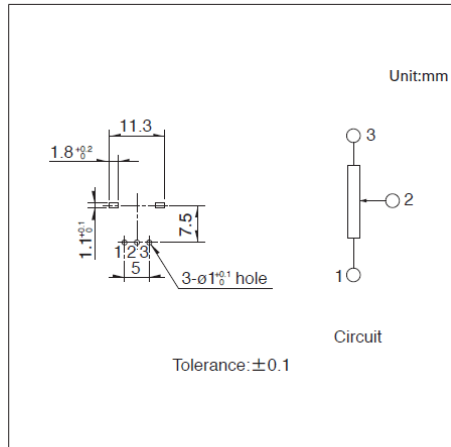
9mm Size Metal Shaft Snap-in Type
RK09L Series

Drawing No.4

■ Dimensions



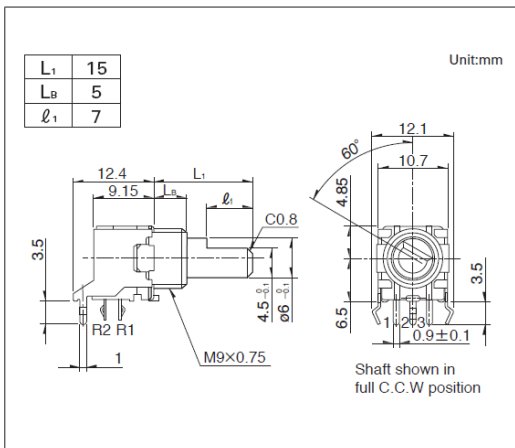
■ Mounting Hole Dimensions



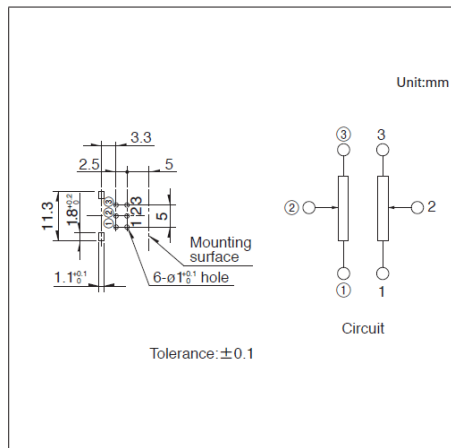
Viewed from mounting side.

Drawing No.5

■ Dimensions



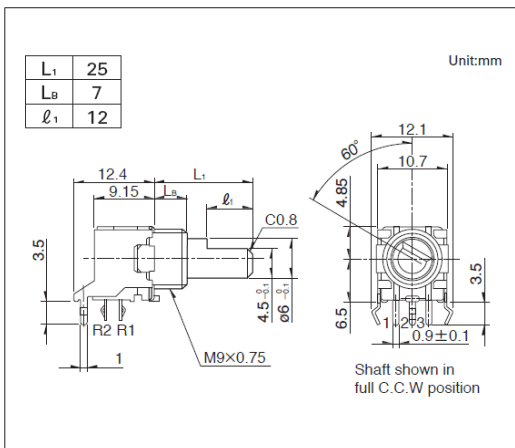
■ Mounting Hole Dimensions



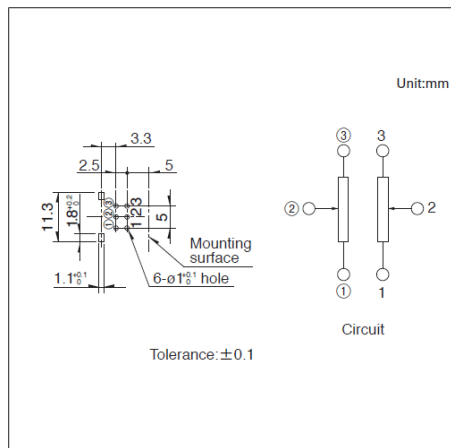
Viewed from mounting side.

Drawing No.6

■ Dimensions



■ Mounting Hole Dimensions

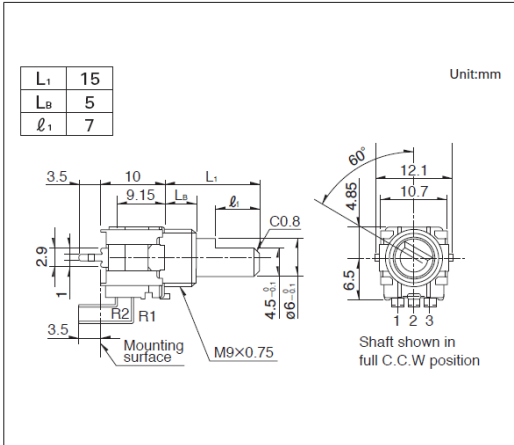


Viewed from mounting side.

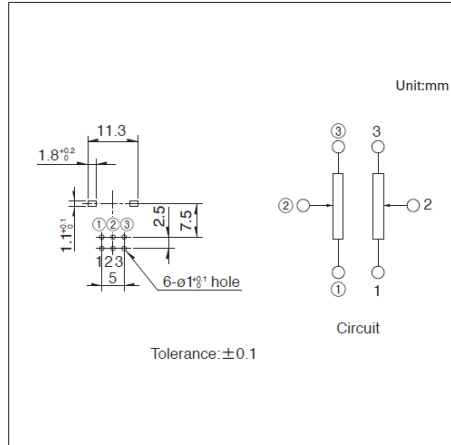
9mm Size Metal Shaft Snap-in Type
RK09L Series

Drawing No.7

■ Dimensions



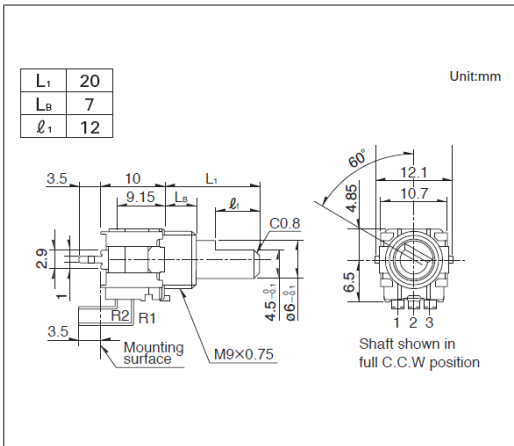
■ Mounting Hole Dimensions



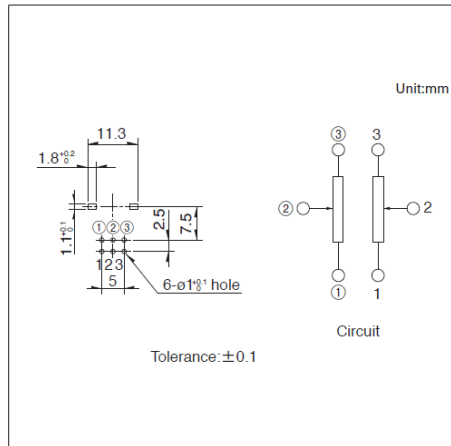
Viewed from mounting side.

Drawing No.8

■ Dimensions



■ Mounting Hole Dimensions



Viewed from mounting side.