

Flush-type socket - VS-08-DSIV-L180-HYB SCO - 1456666

Please be informed that the data shown in this PDF Document is generated from our Online Catalog. Please find the complete data in the user's documentation. Our General Terms of Use for Downloads are valid (<http://phoenixcontact.com/download>)




Hybrid flush-type female connector, Ethernet, 8-pos., M12 SPEEDCON, front wall/screw mounting with M12 thread, with straight solder connection

M12 panel feed-through, front mounting



Key Commercial Data

Packing unit	1 pc
Minimum order quantity	20 pc
GTIN	 4 046356 620307
GTIN	4046356620307
Weight per Piece (excluding packing)	11.000 g
Custom tariff number	85366990
Country of origin	Germany

Technical data

Dimensions

Length of the solder pin	2.3 mm
--------------------------	--------

Ambient conditions

Ambient temperature (operation)	-40 °C ... 85 °C
Degree of protection	IP67 (When plugged in)

General

Note	The electrical and mechanical data specified assume that the connector pair is correctly locked and mounted. If the connector is unlocked and if there is a danger of contamination, the connector must be sealed using
------	---

Flush-type socket - VS-08-DSIV-L180-HYB SCO - 1456666

Technical data

General

	a protective cap > IP54. Influences arising from litz wires, cables or PCB assembly must also be taken into consideration.
Rated current at 40°C	0.5 A (Data)
	6 A (Power)
Rated voltage	48 V AC (Power and data)
	50 V DC (Power and data)
Rated surge voltage	0.8 kV
Number of positions	8
Insulation resistance	> 100 MΩ
Coding	Y - hybrid
Signal type/category	Ethernet CAT5 (IEC 11801:2002)
Degree of pollution	3
Connection method	Solder pins
Insertion/withdrawal cycles	≥ 100
Torque	1.5 Nm ... 2 Nm (Housing, installation side)
Mounting type	PCB mounting M12 x 1

Material

Flammability rating according to UL 94	V0
Contact material	CuZn
Contact surface material	Au
Contact carrier material	PPA
Material, knurls	Zinc die-cast, nickel-plated
Sealing material	EPDM

Standards and Regulations

Flammability rating according to UL 94	V0
--	----

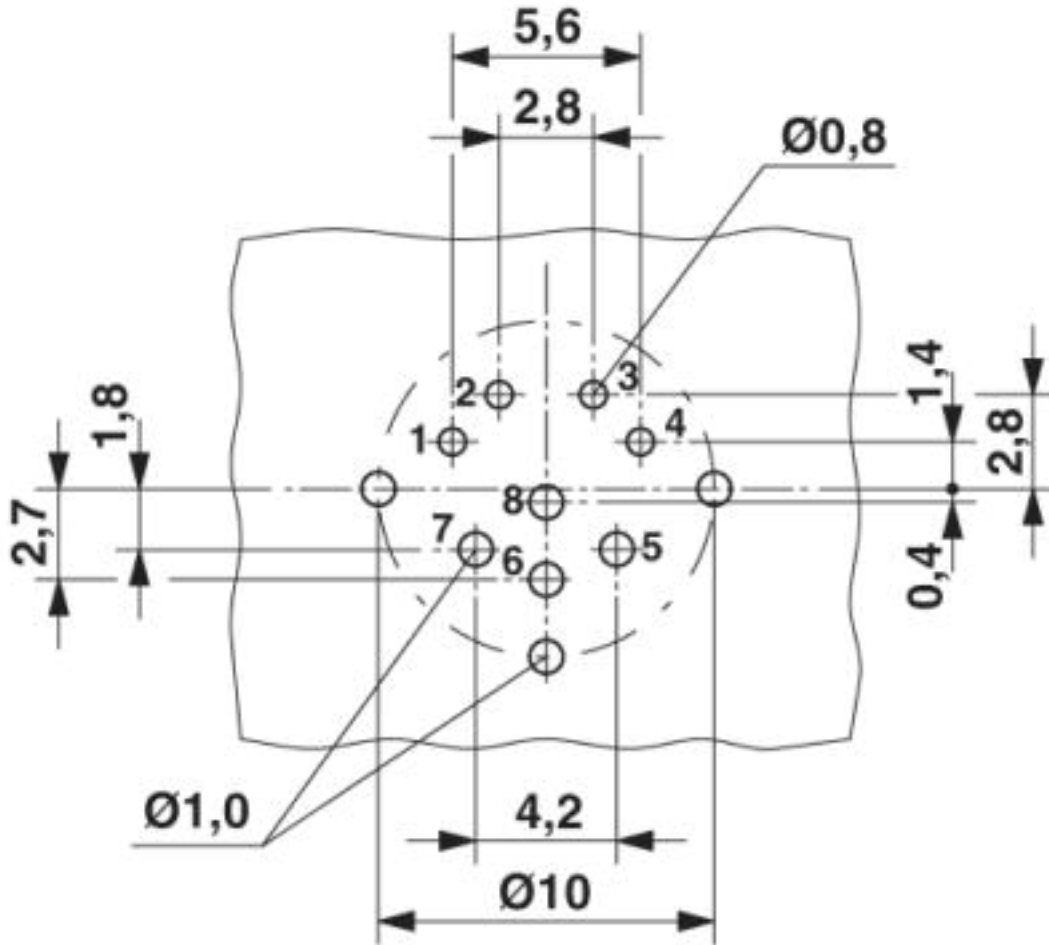
Environmental Product Compliance

REACH SVHC	Lead 7439-92-1
China RoHS	Environmentally Friendly Use Period = 50
	For details about hazardous substances go to tab "Downloads", Category "Manufacturer's declaration"

Drawings

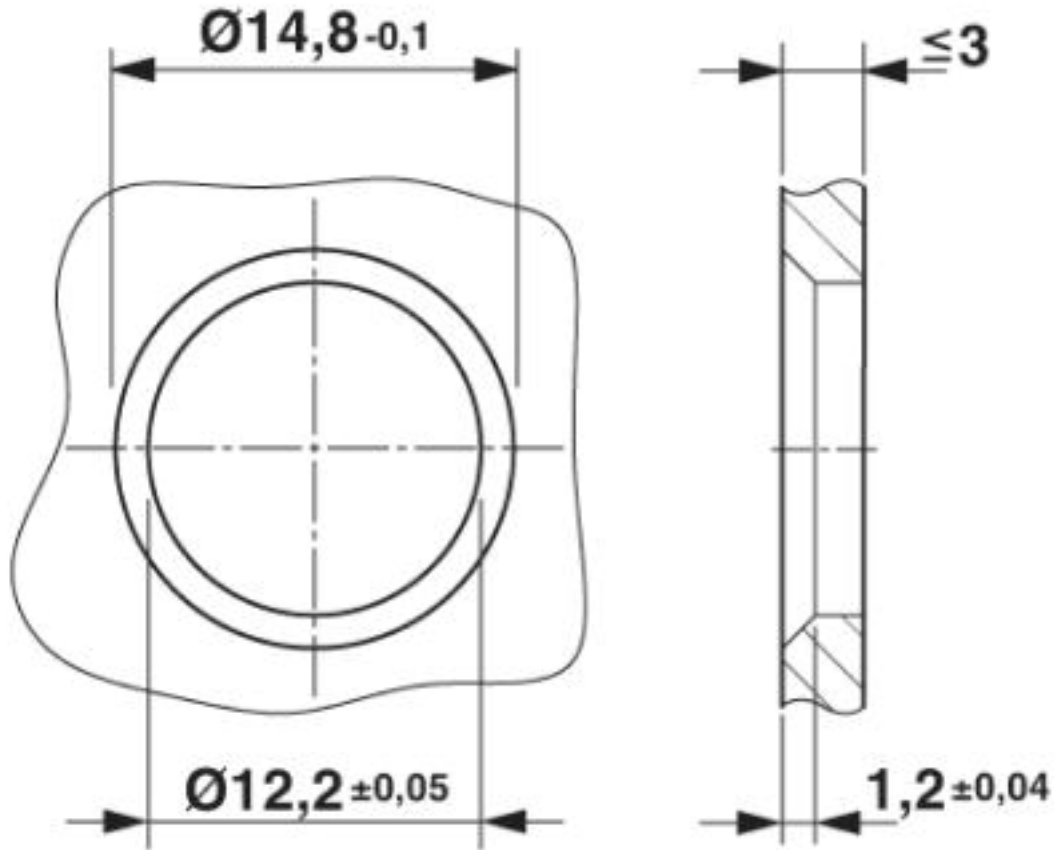
Flush-type socket - VS-08-DSIV-L180-HYB SCO - 1456666

Drilling diagram



Flush-type socket - VS-08-DSIV-L180-HYB SCO - 1456666

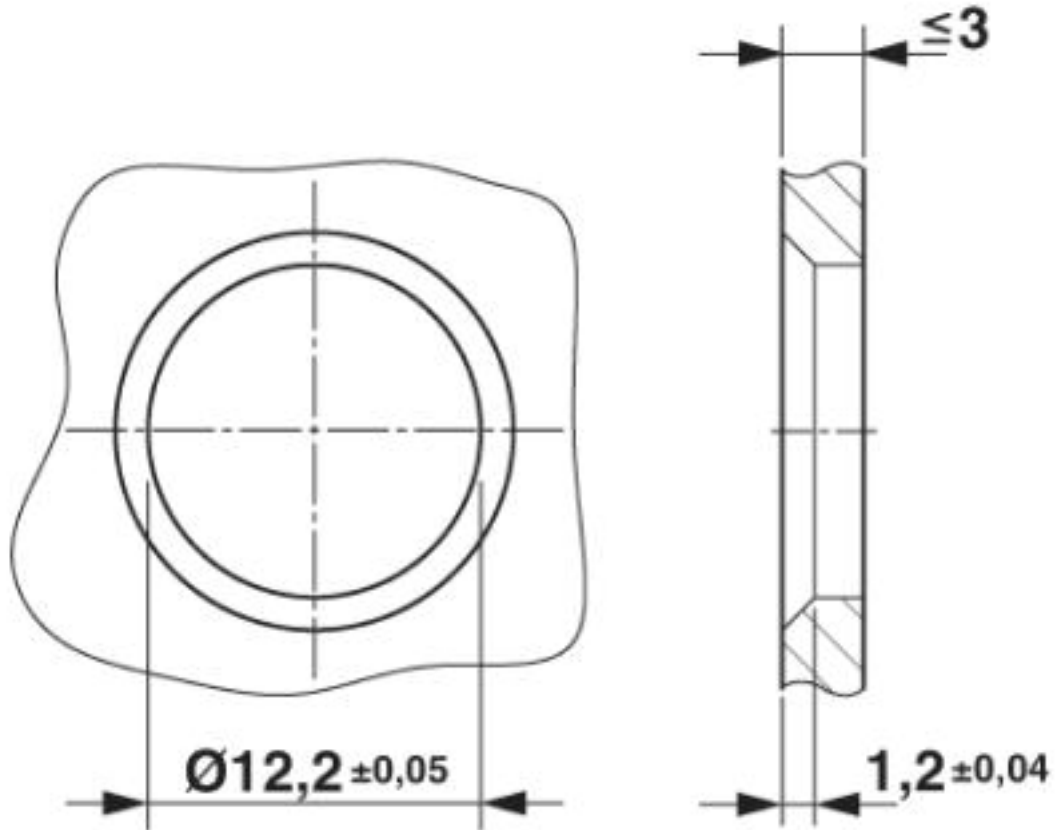
Dimensional drawing



Housing cut-out for two-part M12 flush-type connectors with THR and wave soldering connection, version 1

Flush-type socket - VS-08-DSIV-L180-HYB SCO - 1456666

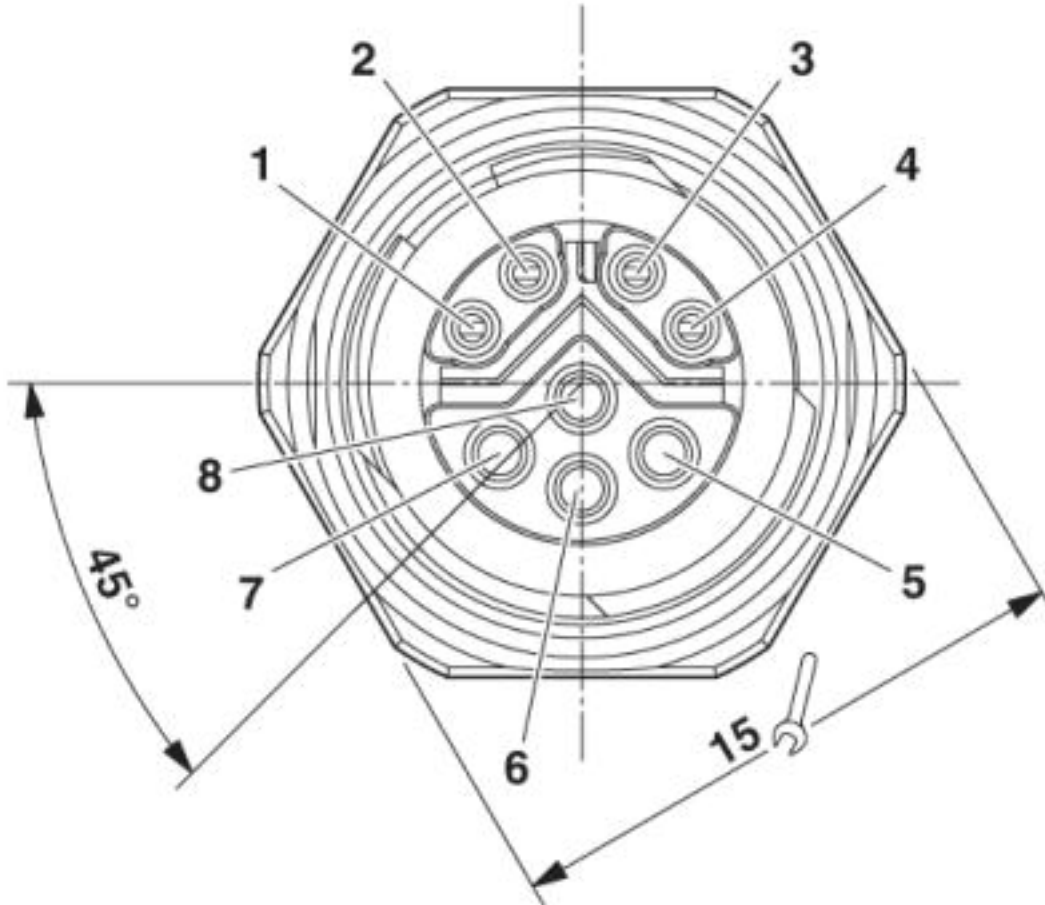
Dimensional drawing



Housing cut-out for two-part M12 flush-type connectors with THR and wave soldering connection, version 2

Flush-type socket - VS-08-DSIV-L180-HYB SCO - 1456666

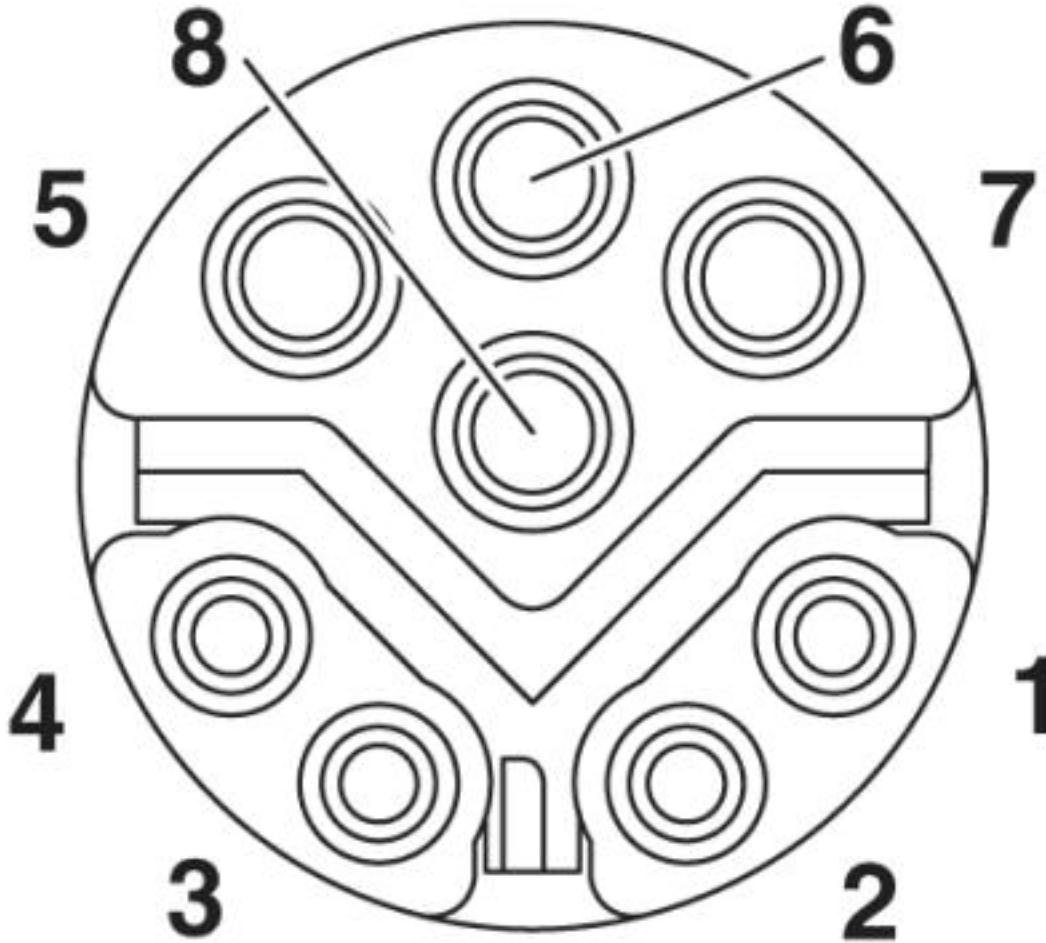
Dimensional drawing



M12 front view

Flush-type socket - VS-08-DSIV-L180-HYB SCO - 1456666

Schematic diagram



Pin assignment M12 socket, 8-pos.

Classifications

eCl@ss

eCl@ss 10.0.1	27440102
eCl@ss 4.0	27060300
eCl@ss 4.1	27060300
eCl@ss 5.0	27061800
eCl@ss 5.1	27061800
eCl@ss 6.0	27279200
eCl@ss 7.0	27440103
eCl@ss 8.0	27440103

Flush-type socket - VS-08-DSIV-L180-HYB SCO - 1456666

Classifications

eCl@ss

eCl@ss 9.0	27440102
------------	----------

ETIM

ETIM 4.0	EC002061
ETIM 5.0	EC002061
ETIM 6.0	EC002061

UNSPSC

UNSPSC 6.01	31251501
UNSPSC 7.0901	31251501
UNSPSC 11	31251501
UNSPSC 12.01	31251501
UNSPSC 13.2	39121413
UNSPSC 18.0	39121413
UNSPSC 19.0	39121413
UNSPSC 20.0	39121413
UNSPSC 21.0	39121413

Approvals


Approvals

Approvals

UL Recognized / cUL Recognized / EAC / cULus Recognized


Ex Approvals

Approval details


UL Recognized		http://database.ul.com/cgi-bin/XYV/template/LISEXT/1FRAME/index.htm	FILE E 335024
Nominal voltage UN	56.5 V		
Nominal current IN	0.175 A		

Flush-type socket - VS-08-DSIV-L180-HYB SCO - 1456666

Approvals

cUL Recognized		http://database.ul.com/cgi-bin/XYV/template/LISEXT/1FRAME/index.htm	FILE E 335024
Nominal voltage UN		56.5 V	
Nominal current IN		0.175 A	

EAC		B.01742
-----	---	---------

cULus Recognized	
------------------	---