

# VS-08-RJ45-5-Q/IP20 BK - RJ45 connector



1658008

<https://www.phoenixcontact.com/us/products/1658008>

Please be informed that the data shown in this PDF document is generated from our online catalog. Please find the complete data in the user documentation. Our general terms of use for downloads are valid.



RJ45 connector, design: RJ45, degree of protection: IP20, number of positions: 8, 1 Gbps, CAT5, material: Plastic, connection method: Insulation displacement connection, connection cross section: AWG 26- 23, cable outlet: straight, color: black, Ethernet

## Your advantages

- Easy and time-saving assembly with IDC fast connection technology
- Can be used internationally due to EAC, UL 1863, and CAN/CSA C22.2
- Ideal companion for servicing or repairs in the field: no special tools required for mounting

## Commercial data

Item number	1658008
Packing unit	1 pc
Minimum order quantity	1 pc
Sales key	AB10
Product key	ABNAAD
Catalog page	Page 372 (C-2-2019)
GTIN	4046356138536
Weight per piece (including packing)	10.38 g
Weight per piece (excluding packing)	10.3 g
Customs tariff number	85366990
Country of origin	CH

# VS-08-RJ45-5-Q/IP20 BK - RJ45 connector



1658008

<https://www.phoenixcontact.com/us/products/1658008>

## Technical data

### Product properties

Product type	Data connector (cable side)
Type	RJ45
Sensor type	Ethernet
Number of positions	8
Connection profile	RJ45
No. of cable outlets	1
Type	RJ45
Shielded	yes
Cable outlet	straight
Positions/contacts	8P8C

### Data management status

Article revision	14
------------------	----

### Insulation characteristics

Overvoltage category	I
Degree of pollution	2

### Electrical properties

Rated voltage (III/3)	72 V (DC)
Rated surge voltage	330 kV
Rated current	1.75 A
Contact resistance	< 20 m $\Omega$ (Contact) < 100 m $\Omega$ (shield)
Frequency range	100 MHz
Insulation resistance	> 500 M $\Omega$
Nominal voltage $U_N$	48 V
Nominal current $I_N$	1.75 A
Contact resistance per contact pair	< 20 $\Omega$
Contact resistance	> 10 m $\Omega$ (Wire – IDC) 0.005 $\Omega$ (Litz wires – IDC)
Transmission medium	Copper
Transmission characteristics (category)	CAT5
Transmission speed	1 Gbps
Power transmission	PoE++

### Connection data

#### Connection technology

Connection method	Insulation displacement connection
Connection cross section AWG	26 ... 23 (solid) 26 ... 23 (flexible)

# VS-08-RJ45-5-Q/IP20 BK - RJ45 connector



1658008

<https://www.phoenixcontact.com/us/products/1658008>

Conductor cross section	0.14 mm <sup>2</sup> ... 0.25 mm <sup>2</sup> (solid)
	0.14 mm <sup>2</sup> ... 0.25 mm <sup>2</sup> (flexible)
Connection in acc. with standard	In accordance with IEC 60603-7-1
Cable outlet, angle	180

## Dimensions

Width	14 mm
Height	14.6 mm
Length	55.85 mm

## Material specifications

Color	black
Material	Plastic
Flammability rating according to UL 94	V0
Housing material	Plastic
Cable seal material	NBR
Contact material	CuSn
Contact surface material	Au/Ni
Contact carrier material	PC
O-ring material	FPM
Locking latch material	PC
Material for screw connection	PA

## Cable/line

External cable diameter	4.5 mm ... 8 mm
External cable diameter	4.5 mm ... 8 mm
Cable cross section	0.14 mm <sup>2</sup>
Test voltage Core/Core	1000 V
Test voltage Core/Shield	1500.00 V
Halogen-free	no

## Mechanical properties

### Mechanical data

Insertion/withdrawal cycles	≥ 1000
Insertion force per signal contact	< 20.00 N
Extraction force per signal contact	< 20 N

## Environmental and real-life conditions

### Test specification

Type of test	Vibration test
Specification	IEC 60068-2-6
Frequency	10-500 Hz
Sweep speed	1 octave/min
Amplitude	0.35 mm

# VS-08-RJ45-5-Q/IP20 BK - RJ45 connector



1658008

<https://www.phoenixcontact.com/us/products/1658008>

Acceleration	50.00 m/s <sup>2</sup>
Test duration	20.00 s

## Ambient conditions

Degree of protection	IP20
	IP20
Ambient temperature (operation)	-20 °C ... 70 °C
Ambient temperature (storage/transport)	-40 °C ... 70 °C

## Mounting

Mounting type	For field assembly
---------------	--------------------

# VS-08-RJ45-5-Q/IP20 BK - RJ45 connector

1658008

<https://www.phoenixcontact.com/us/products/1658008>



## Drawings

Schematic diagram



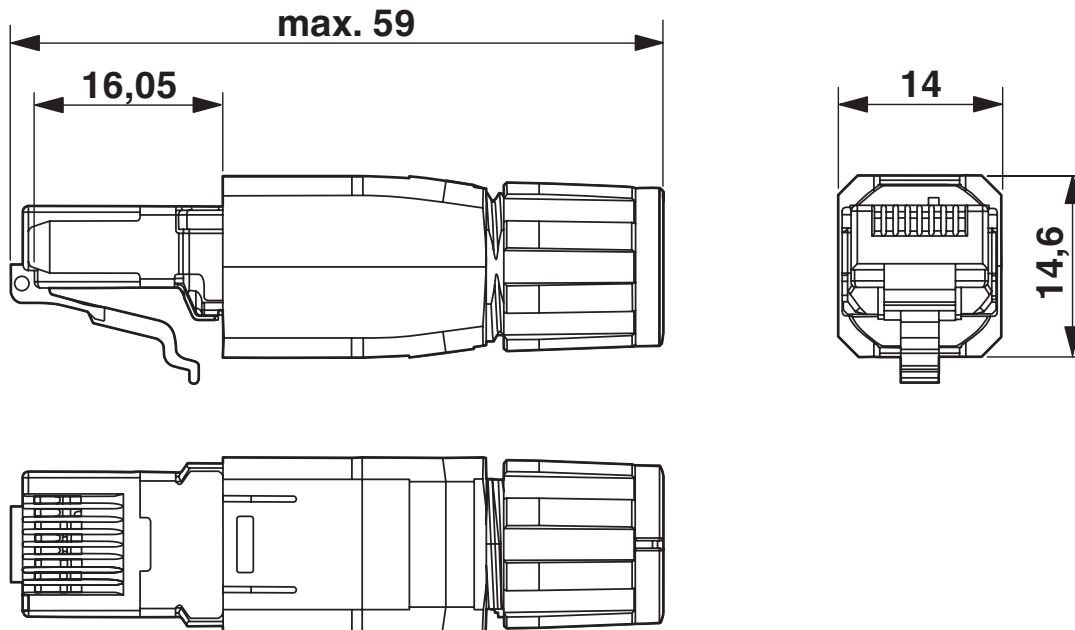
# VS-08-RJ45-5-Q/IP20 BK - RJ45 connector

1658008

<https://www.phoenixcontact.com/us/products/1658008>



Dimensional drawing



RJ45 connector, IP20

# VS-08-RJ45-5-Q/IP20 BK - RJ45 connector



1658008

<https://www.phoenixcontact.com/us/products/1658008>

## Approvals

To download certificates, visit the product detail page: <https://www.phoenixcontact.com/us/products/1658008>



**UL Listed**

Approval ID: FILE E 335024



**cUL Listed**

Approval ID: FILE E 335024

**cULus Listed**

# VS-08-RJ45-5-Q/IP20 BK - RJ45 connector



1658008

<https://www.phoenixcontact.com/us/products/1658008>

## Classifications

### ECLASS

ECLASS-11.0	27440101
ECLASS-12.0	27440113
ECLASS-13.0	27440116

### ETIM

ETIM 9.0	EC002636
----------	----------

### UNSPSC

UNSPSC 21.0	39121400
-------------	----------

# VS-08-RJ45-5-Q/IP20 BK - RJ45 connector



1658008

<https://www.phoenixcontact.com/us/products/1658008>

## Environmental product compliance

### EU RoHS

Fulfills EU RoHS substance requirements	Yes, No exemptions
---	--------------------

### China RoHS

Environment friendly use period (EFUP)	EFUP-E
	No hazardous substances above the limits

### EU REACH SVHC

REACH candidate substance (CAS No.)	2-(2H-benzotriazol-2-yl)-4-(1,1,3,3-tetramethylbutyl)phenol (UV-329)(CAS: 3147-75-9)
SCIP	14622286-2cb4-46e5-9715-6fce15f91571

# VS-08-RJ45-5-Q/IP20 BK - RJ45 connector

1658008

<https://www.phoenixcontact.com/us/products/1658008>



## Accessories

### VS-CABLE-STRIP-VARIO - Stripping tool

1657407

<https://www.phoenixcontact.com/us/products/1657407>

Stripping tool, for the multi-level stripping of shielded cables

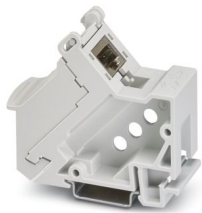


### CUC-PP-D1PGY/R4IDC8 - DIN rail adapter

1419024

<https://www.phoenixcontact.com/us/products/1419024>

DIN rail adapter, design: RJ45, degree of protection: IP20, number of positions: 8, 10 Gbps, CAT6<sub>A</sub>, material: PC-GF, connection method: IDC connection, connection cross section: AWG 26- 22, color: gray



## VS-08-RJ45-5-Q/IP20 BK - RJ45 connector

1658008

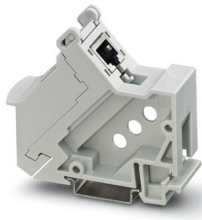
<https://www.phoenixcontact.com/us/products/1658008>



## VS-PP-F-RJ45-CAT6 - DIN rail adapter

1658118

<https://www.phoenixcontact.com/us/products/1658118>



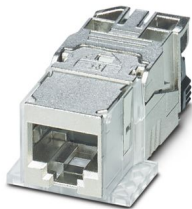
DIN rail adapter, degree of protection: IP20, number of positions: 8, 1 Gbps, CAT6, material: PC-GF, connection method: IDC fast connection, connection cross section: AWG 24- 22, color: gray

---

## CUC-F-J1ZNI-S/R4IDC8 - RJ45 jack insert

1418984

<https://www.phoenixcontact.com/us/products/1418984>



RJ45 jack insert, design: RJ45, degree of protection: IP20, number of positions: 8, 10 Gbps, CAT6<sub>A</sub>, material: Metal, connection method: IDC connection, connection cross section: AWG 26- 22, cable outlet: straight, Freenet design for use with IP67 panel mounting frame and terminal outlets, Ethernet

# VS-08-RJ45-5-Q/IP20 BK - RJ45 connector

1658008

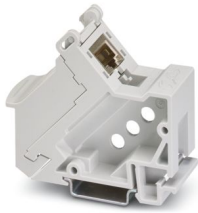
<https://www.phoenixcontact.com/us/products/1658008>



## CUC-PP-D1PGY/R4GC8 - DIN rail adapter

1418094

<https://www.phoenixcontact.com/us/products/1418094>



DIN rail adapter, design: RJ45, degree of protection: IP20, number of positions: 8, 1 Gbps, CAT6, material: PC-GF, connection method: Coupling, color: gray

---

## CUC-K-J1ZNI-S/R4IDC8 - RJ45 jack insert

1419021

<https://www.phoenixcontact.com/us/products/1419021>



RJ45 jack insert, design: RJ45, degree of protection: IP20, number of positions: 8, 10 Gbps, CAT6<sub>A</sub>, material: Metal, connection method: IDC connection, connection cross section: AWG 26- 22, cable outlet: straight, Keystone design for use with IP20 panel mounting frame or integrated directly into the housing panel, Ethernet

# VS-08-RJ45-5-Q/IP20 BK - RJ45 connector

1658008

<https://www.phoenixcontact.com/us/products/1658008>



## VS-OE-OE-94B-100,0 - Data cable

1416567

<https://www.phoenixcontact.com/us/products/1416567>



Data cable, Ethernet CAT5 (1 Gbps), 8-position, PUR halogen-free, water blue RAL 5021, shielded, free cable end, on free cable end, cable length: 100 m

---

## VS-OE-OE-94B/... - Data cable

1417333

<https://www.phoenixcontact.com/us/products/1417333>



Data cable, Ethernet CAT5 (1 Gbps), 8-position, PUR halogen-free, water blue RAL 5021, shielded, free cable end, on free cable end, cable length: Free entry (0.5 ... 400 m)

---

Phoenix Contact 2024 © - all rights reserved  
<https://www.phoenixcontact.com>

Phoenix Contact USA  
586 Fulling Mill Road  
Middletown, PA 17057, United States  
(+717) 944-1300  
[info@phoenixcon.com](mailto:info@phoenixcon.com)