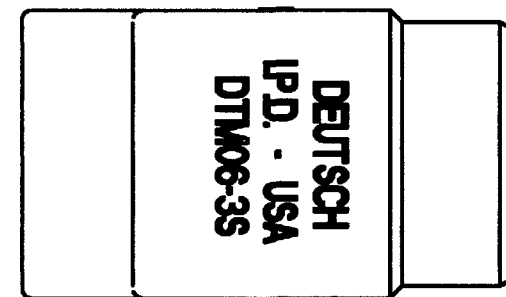
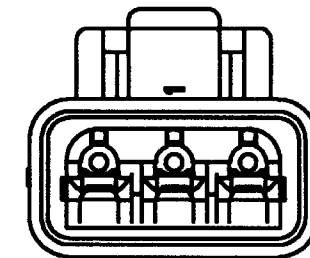
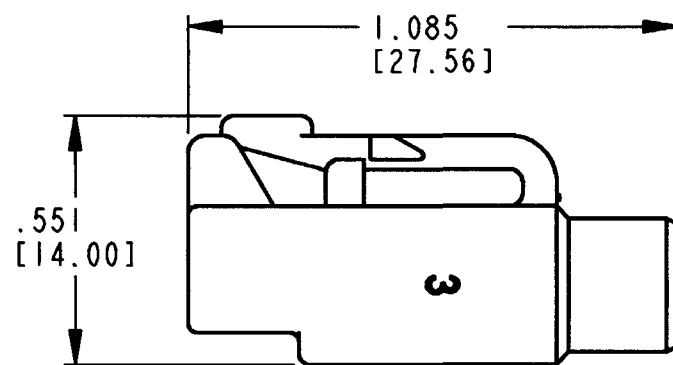
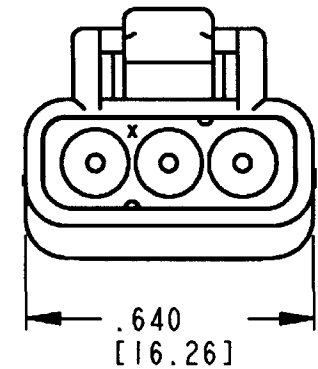
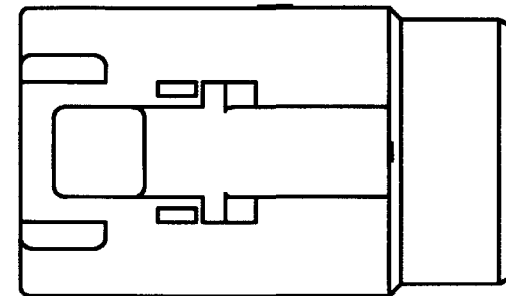
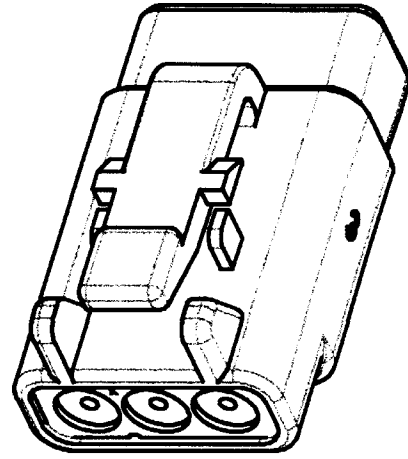


REV
NC DTM06-3S-E004

REVISIONS			
SYM	DESCRIPTION	DATE	APPROVED
NC	NEW RELEASE PER E.O. P17368	7-23-01	RDR



PLUG HOUSING

CONTACT SIZE	MIN. INSUL. O.D.	MAX. INSUL. O.D.	WIRE RANGE [mm ²] REF ONLY
20	.053 [1.35]	.120 [3.05]	16-20 AWG [1.0-0.5]

- 6. MATERIAL - HOUSING: PLASTIC (BLACK); GROMMET: RUBBER.
- 5. THIS PLUG MATES WITH DTM04-3P-**** RECEPTACLE. (**** = ALL MODIFICATIONS)
- 4. FOR CONTACT AND WIRE PERFORMANCE AND APPLICATION CHARACTERISTICS SEE ENVELOPE DRAWING 0425-015-0000.
- 3. SECONDARY WEDGE LOCK SOLD SEPARATELY: WM-3S.
- 2. DIMENSION TOLERANCE: ±.025 [.64].
- 1. DIMENSIONS ARE IN INCHES [mm].

NOTES: UNLESS OTHERWISE SPECIFIED

SIGNATURE & DATE	
DR	J. APOSTOL 20 JUL 2001
CHK	[Signature] 7/20/01
PE	D. Meyer 7/20/01
APPD	R. Reed 7-23-01
SCALE	NONE WT

PLUG
3 SKT. CONT. #20
-E004 MODIFICATION
COLOR: BLACK
DTM SERIES

ENVELOPE

CP	MATL. CODE
The Deutsch Company DEUTSCH I.P.D. 3850 INDUSTRIAL AVE. HEMET, CALIF. 92545	
B	DTM06-3S-E004
DWG SIZE	CODE 11139 SHEET 1 OF 1