

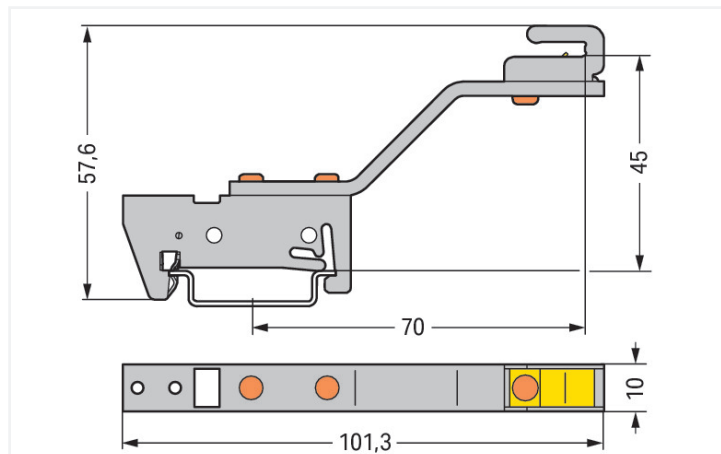
Data Sheet | Item Number: 790-301

Busbar carrier; for busbars Cu 10 mm x 3 mm; single side, angled; for DIN 35 rail; silver-colored

<https://www.wago.com/790-301>



Color: ■ silver-colored



Dimensions in mm

Material data

Color	silver-colored
Fire load	0 MJ
Weight	39.6 g
Material	Coated steel Stainless steel Copper (Cu)

Commercial data

Product Group	2 (Terminal Block Accessories)
PU (SPU)	10 pcs
Packaging type	Box
Country of origin	DE
GTIN	4045454415952
Customs tariff number	85389099990

Product Classification

UNSPSC	39121613
eCl@ss 10.0	27-40-06-07
eCl@ss 9.0	27-40-06-07
ETIM 9.0	EC001166
ETIM 10.0	EC001166
ECCN	NO US CLASSIFICATION

Environmental Product Compliance

RoHS Compliance Status	Compliant, No Exemption
------------------------	-------------------------

Processing temperature (min.)	-35 °C
Processing temperature (max.)	85 °C
Processing temperature	-35 ... +85 °C
Continuous operating temperature from	-60 °C
Continuous operating temperature up to	105 °C
Continuous operating temperature	-60 ... +105 °C

Downloads

Environmental Product Compliance

Compliance Search

Environmental Product Compliance 790-301	↓
--	-------------------

Documentation

Bid Text

790-301	19.02.2019	xml 2.68 KB	↓
790-301	28.11.2018	doc 23.00 KB	↓

CAD/CAE-Data

CAD data

2D/3D Models 790-301	↓
----------------------	-------------------

CAE data

EPLAN Data Portal 790-301	↓
WSCAD Universe 790-301	↓
ZUKEN Portal 790-301	↓

1 Compatible Products

1.1 Optional Accessories

1.1.1 N-busbar

1.1.1.1 Busbar



Item No.: 210-133

Busbar; tin-plated; 1000 mm long; Cu 10 mm x 3 mm; white

1.1.1.2 Mounting accessories



Item No.: 790-134

Busbar; tin-plated; 50 mm long; Cu 10 mm x 3 mm; silver-colored