



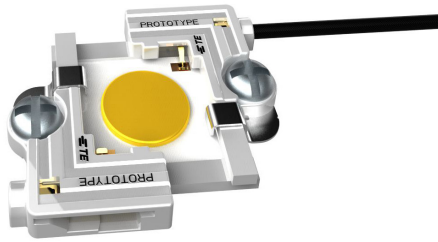
LUMAWISE Scalable LED Holders

Solderless Connections for LED Arrays

TE Connectivity's Scalable LED Holders provide a flexible and adaptable connection platform solution for a broad range of commercially available COB LEDs. Designed with the future in mind and utilizing a scalable architecture, they enable fast adoption of today's and tomorrow's leading LED Arrays.



INTELLIGENT BUILDINGS



KEY BENEFITS

- Solderless electrical connection to LED
- Integrated poke-in wire termination
- Functions with ceramic, metal-clad or FR substrate devices
- Alignment features simplify installation
- High reflectivity polymeric housing materials
- Wide operating temperature range

APPLICATIONS

- Spot Lights
- Track Lights
- Recessed Downlights
- High Bay Lights
- Retrofit Lights
- Wall Sconces

STANDARDS & SPECIFICATIONS

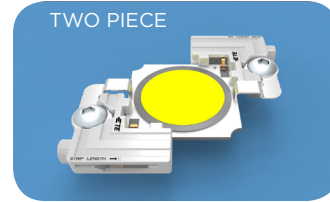
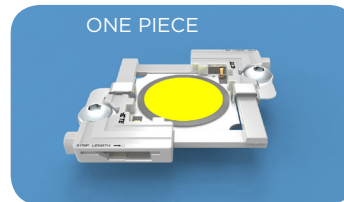
- Product Specification: 108-133005
- Application Specification: 114-32043
- UL Standards: 1977
- CSA: C22.2 NO.182.3.

SCALABLE LED HOLDER SOLUTIONS

TE Connectivity's Scalable LED Holders provide an affordable, easily installed alternative to hand-soldering wires to chip-on-board (COB) LEDs. Wire termination to our Scalable LED Holder is as simple as stripping the wire and poking it into the connector. Compact, low profile and offered in a wide variety of configurations to work with most major manufacturer's COBs, the Scalable LED Holder provides a flexible connector platform that is easily integrated into a broad range of lighting fixtures.

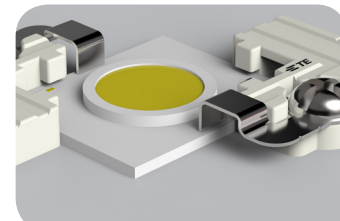
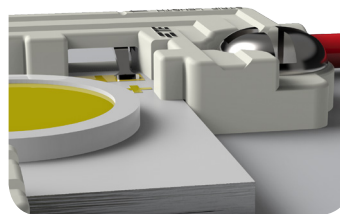
ONE OR TWO PIECE OPTIONS

The Scalable LED Holder is available in two application configurations - a two piece termination and unitized one piece design. The two piece version utilizes the same part number to connect to opposing contact pads typical to COBs. A single part number is usable across a wide range of commercially available LEDs and minimizes part numbers that need to be stocked - perfect for prototyping and preproduction. The one piece option provides a factory unitized solution sized specifically for a manufacturer's LED. With the one piece option, a single holder is all that needs to be handled on the production floor making it ideal for higher volume production.



CERAMIC, MCPCB AND FR SUBSTRATE READY

Inherent in the design of the Scalable LED Holder is the ability to accommodate either 1 mm thick ceramic or thicker alternate substrate materials such as metal clad or FR. The housing provides the necessary normal force for thicker substrates yet is designed for clearance when used with the thinner ceramic devices. Use of the optional thermal spring is recommended for use with ceramic devices to provide a more controlled normal force.



COMPATIBLE WITH MULTIPLE PAD LOCATIONS

Since no two COBs are identical, the Scalable LED Holders are offered with minor contact location variations to accommodate three different pad positions. When combined with either gold or tin plating options these three contact positions allow the holder to accommodate most current COB devices on the market. Download our application specifications for further technical details

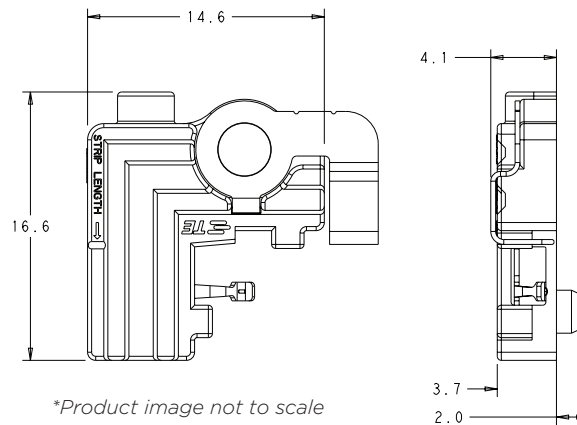
SCALABLE LED HOLDERS SELECTION MATRIX

LED Manufacturer	LED Package	1 PIECE SOLUTION TE Part Number	2 PIECE SOLUTION TE Part Number
BRIDGELUX	ES	3-2154874-2	1-2154857-2
	LS		1-2154857-3
CITIZEN	CLL020/022	6-2154874-1	2-2154857-1
	CLL030/032	6-2154874-2	2-2154857-1
	CLL040/042	6-2154874-3	2-2154857-2
	CLL050/052	6-2154874-4	2-2154857-2
	L330		2-2154857-3
	L340		2-2154857-3
CREE	CXA 2011	5-2154874-1	1-2154857-3
	CXA 13xx		2-2154857-2
	CXA 15xx	5-2154874-2	2-2154857-2
	CXA 18xx		2-2154857-2
	CXA 25xx	5-2154874-3	2-2154857-2
	CXA 30xx		2-2154857-2
EDISON OPTO	2PHM09x	6-2154874-1	2-2154857-1
	2PHM30x	6-2154874-2	2-2154857-1
LG INNOTEK	LEMWM18580LG10A0		2-2154857-2
	LEMWM18680LG10A0		2-2154857-2
	LEMWM18780LG10A0		2-2154857-2
NICHIA	COB J360		2-2154857-1
	COB L88 / L110 / L144 / L165 / L 204		2-2154857-3
OSRAM OPTO	SOLERIQ E30 GWKAJ		3-2154857-3
PHILIPS LUMILEDS	LUXEON COB 1203		2-2154857-2
	LUXEON COB 1204 / 1205 / 1208		2-2154857-3
SAMSUNG	LC013B		2-2154857-3
	LC026B		2-2154857-3
	LC040B		2-2154857-3
SEOUL SEMI	SBWW1F1A		2-2154857-1
	SBWW2F1A		2-2154857-2
SHARP	Petit Zenigata		2-2154857-1
	Mini Zenigata		2-2154857-1
	Mega Zenigata		2-2154857-3

TECHNICAL DETAILS

- Voltage: 250VDC / 250VAC
- Current : 3 A
- Wire range: 18AWG - 22AWG
- Contacts: Copper Alloy
- Housing: Glass Filled (GF) PBT
- Platings: Gold & Tin versions
- Flammability 94V0
- RoHS Compliant materials
- Operating Temp.: -40°C to +105°C

PRODUCT DIMENSIONS



FOR MORE INFORMATION

lumawise.com

Download the Scalable Application Note for alternate application ideas.

Application Note: 1773700-8

Visit our online LED manufacturer cross reference guide for the latest LED manufacturers and packages: te.com/ledholders

TE Technical Support Center

Internet:	te.com/help
USA:	+1 (800) 522-6752
Canada:	+1 (905) 475-6222
Mexico	+52 (0) 55-1106-0800
Latin/S. America:	+54 (0) 11-4733-2200
Germany:	+49 (0) 6251-133-1999
UK:	+44 (0) 800-267666
France:	+33 (0) 1-3420-8686
Netherlands:	+31 (0) 73-6246-999
China:	+86 (0) 400-820-6015

te.com

1-1773706-3 PDF JG2 01/2014

© 2014 TE Connectivity Ltd. family of companies. All Rights Reserved

LUMAWISE, TE Connectivity and TE connectivity (logo) are trademarks. Other logos, product and/or company names might be trademarks of their respective owners.

While TE has made every reasonable effort to ensure the accuracy of the information in this brochure, TE does not guarantee that it is error-free, nor does TE make any other representation, warranty or guarantee that the information is accurate, correct, reliable or current. TE reserves the right to make any adjustments to the information contained herein at any time without notice. TE expressly disclaims all implied warranties regarding the information contained herein, including, but not limited to, any implied warranties of merchantability or fitness for a particular purpose. The dimensions in this catalog are for reference purposes only and are subject to change without notice. Specifications are subject to change without notice. Consult TE for the latest dimensions and design specifications.



INTELLIGENT BUILDINGS