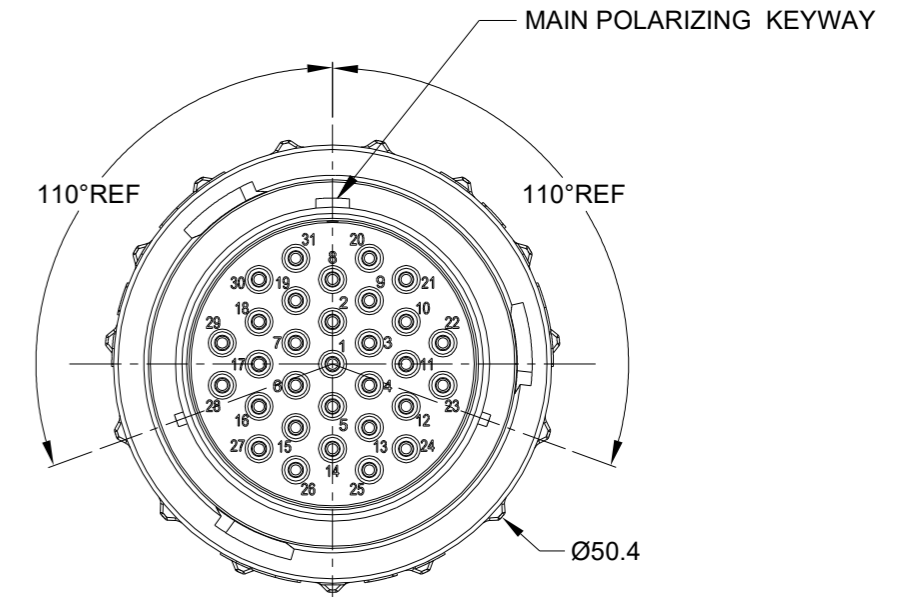
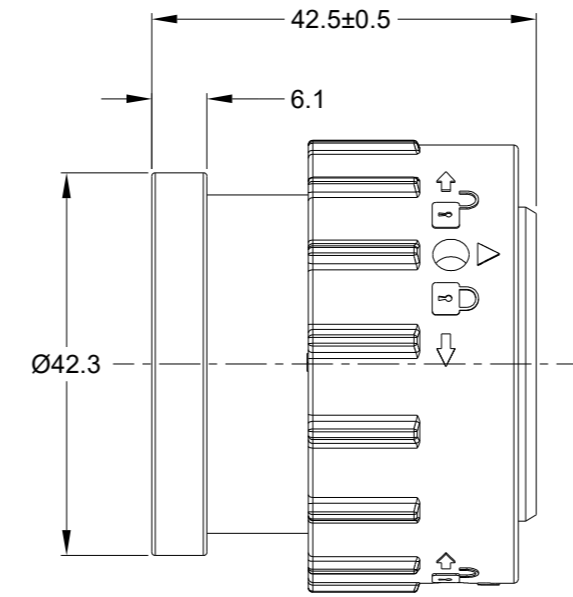
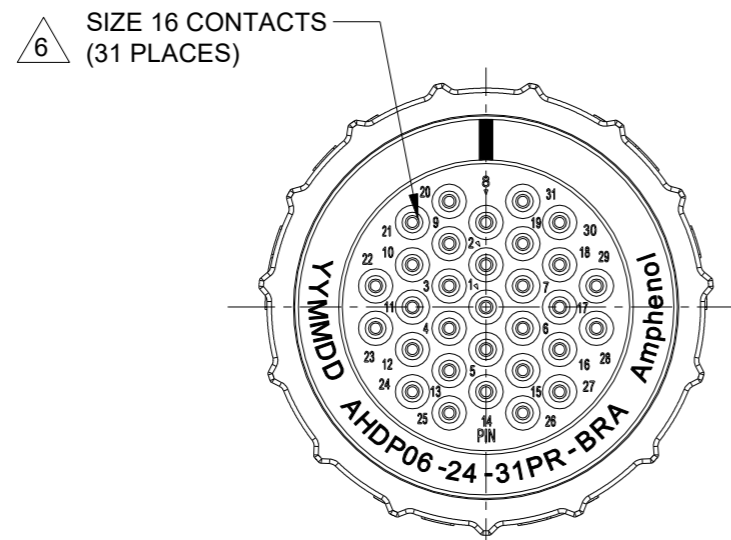


| REVISIONS |     |                     |           |     |       |
|-----------|-----|---------------------|-----------|-----|-------|
| REV       | ECO | DESCRIPTION         | DATE      | BY  | APPR  |
| A1        | -   | RELEASE NEW DRAWING | 01/MAR/22 | IAN | TOMMY |

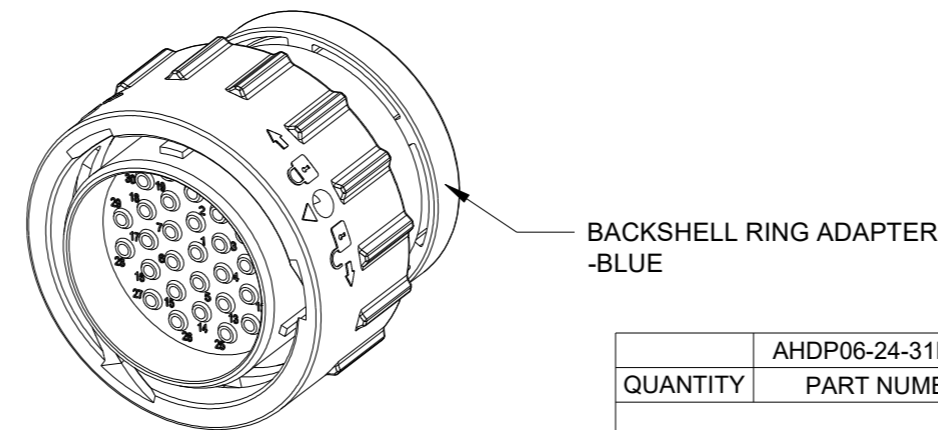


NOTES: UNLESS OTHERWISE SPECIFIED

- MATERIAL:  
HOUSING: THERMOPLASTIC; BLACK  
SEAL: SILICONE RUBBER
- MODIFICATIONS: BACKSHELL RING ADAPTER (BRA);  
REDUCED DIA. WIRE SEAL;
- SPECIFICATIONS:
  - OPERATING TEMPERATURE: -55°C TO +125°C.
  - DIELECTRIC WITHSTANDING VOLTAGE: LESS THAN 2 MILLIAMPS CURRENT LEAKAGE @ 1500 VOLTS AC.
  - INSULATION RESISTANCE: 1000 MEGOHM MIN @ 25°C.
  - MOISTURE RESISTANCE:  
IP68(IM OF WATER FOR A PERIOD OF 24 HOURS, MATED CONDITION);  
IP69K(MATED CONDITION)
  - MATING CYCLE DURABILITY: 100 CYCLES
  - RoHS COMPLIANT
- MATING PART: AHDP02-24-31S\* & AHDP04-24-31S\* (\* = SEAL TYPE)
- ALL DIMENSIONS ARE FOR REFERENCE USE ONLY.

6 CONTACT SIZE AND WIRE RANGE:

| CONTACT SIZE | MIN. INSUL O.D.   | MAX. INSUL O.D.   | TYPICAL WIRE RANGE                  | CURRENT RATING |
|--------------|-------------------|-------------------|-------------------------------------|----------------|
| 16           | 1.35 mm (.053 in) | 2.62 mm (.103 in) | 14-20 AWG (2.0-0.5mm <sup>2</sup> ) | 13 AMPS        |



| QUANTITY   | PART NUMBER        | DESCRIPTION  | ITEM  |      |      |         |          |          |           |                           |           |
|--|--------------------|--|---|------|------|---------|----------|----------|-----------|---------------------------|-----------|
|  | AHDP06-24-31PR-BRA | REF:HDP26-24-31PE-L017   |   |      |      |         |          |          |           |                           |           |
| <b>MATERIALS LIST</b>  |                    |  |   |      |      |         |          |          |           |                           |           |
| <b>UNLESS OTHERWISE SPECIFIED</b><br>1) All dimensions are in metric(mm).<br>2) Tolerances are as follows:<br>1 PL DEC ±0.30    Fractions ±1/64<br>2 PL DEC ±0.15    Angles ±1°<br>3 PL DEC ±0.08<br>3) Note reference = $\triangle$ |                    | <b>SIGNATURES</b><br>DRAWN: IAN.XIAO    01/MAR/22<br>CHECKED: SULLEN.ZHANG    02/MAR/22<br>ENGINEER:<br>APPROVAL: TOMMY.XIE    03/MAR/22   | <b>Amphenol</b><br>Sine Systems - www.amphenol-sine.com<br>44724 Morley Drive<br>Clinton Township, MI 48036   |      |      |         |          |          |           |                           |           |
| MATERIAL SPECIFICATIONS:<br><b>WEIGHT: 56.5g</b>   |                    | CUSTOMER:  | 31POS,PLUG,PIN,24SZ,<br>RD SEAL,BRA,DURAMATE AHDP   |      |      |         |          |          |           |                           |           |
| PROCESS SPECIFICATIONS:<br>NEXT ASSY:  |                    | THIS DRAWING IS SUPPLIED FOR INFORMATION ONLY. DESIGN FEATURES, SPECIFICATIONS AND PERFORMANCE DATA SHOWN HEREON ARE THE PROPERTY OF THE AMPHENOL CORPORATION. NO RIGHTS OF REPRODUCTION ARE IMPLIED. ALL DIMENSIONS ARE SUBJECT TO NORMAL MANUFACTURING VARIATIONS. | <table border="1"> <tr> <td>SIZE</td> <td>TYPE</td> <td>DWG NO:</td> <td>REVISION</td> </tr> <tr> <td><b>B</b></td> <td><b>C-</b></td> <td><b>AHDP06-24-31PR-BRA</b></td> <td><b>A1</b></td> </tr> </table> | SIZE | TYPE | DWG NO: | REVISION | <b>B</b> | <b>C-</b> | <b>AHDP06-24-31PR-BRA</b> | <b>A1</b> |
| SIZE   | TYPE               | DWG NO:  | REVISION  |      |      |         |          |          |           |                           |           |
| <b>B</b>   | <b>C-</b>          | <b>AHDP06-24-31PR-BRA</b>  | <b>A1</b>   |      |      |         |          |          |           |                           |           |
| SCALE: NONE  |                    | DURAMATE   | SHEET 1 OF 1  |      |      |         |          |          |           |                           |           |

TITLE: 31POS,PLUG,PIN,24SZ,RD SEAL,BRA,DURAMATE AHDP  
 DWG NO: AHDP06-24-31PR-BRA  
 REV: A1  
 SH: 1  
 OF: 1

# AT, ATV, AHD, ARB, ARC, DuraMate™ and PanelMate™ Series

## Size 16 Contact & Tooling Options

### Contacts - Machined

| Part Number       | Type   | Style    | Contact Size | Amp | Wire Range (AWG) | Wire Range (mm <sup>2</sup> ) | Insulation OD (mm) | Plating       | Reel Size | Packaging |
|-------------------|--------|----------|--------------|-----|------------------|-------------------------------|--------------------|---------------|-----------|-----------|
| AT60-215-16141    | Pin    | Machined | Size 16      | 13A | 14AWG            | -                             | -                  | Nickel-Plated | -         | -         |
| AT60-215-1631     | Pin    | Machined | Size 16      | 13A | 14AWG            | -                             | -                  | Gold-Plated   | -         | -         |
| AT60-202-16NKIT   | Pin    | Machined | Size 16      | 13A | 16-20AWG         | -                             | -                  | Nickel-Plated | -         | -         |
| AT60-202-16141    | Pin    | Machined | Size 16      | 13A | 16-20AWG         | -                             | -                  | Nickel-Plated | -         | -         |
| AT60-202-1631     | Pin    | Machined | Size 16      | 13A | 16-20AWG         | -                             | -                  | Gold-Plated   | -         | -         |
| AT60-202-16141-22 | Pin    | Machined | Size 16      | 13A | 22-24AWG         | -                             | -                  | Nickel-Plated | -         | -         |
| AT60-202-1631-22  | Pin    | Machined | Size 16      | 13A | 22-24AWG         | -                             | -                  | Gold-Plated   | -         | -         |
| AT62-209-16141    | Socket | Machined | Size 16      | 13A | 14AWG            | -                             | -                  | Nickel-Plated | -         | -         |
| AT62-209-1631     | Socket | Machined | Size 16      | 13A | 14AWG            | -                             | -                  | Gold-Plated   | -         | -         |
| AT62-201-16NKIT   | Socket | Machined | Size 16      | 13A | 16-20AWG         | -                             | -                  | Nickel-Plated | -         | -         |
| AT62-201-16141    | Socket | Machined | Size 16      | 13A | 16-20AWG         | -                             | -                  | Nickel-Plated | -         | -         |
| AT62-201-1631     | Socket | Machined | Size 16      | 13A | 16-20AWG         | -                             | -                  | Gold-Plated   | -         | -         |
| AT62-201-16141-22 | Socket | Machined | Size 16      | 13A | 22-24AWG         | -                             | -                  | Nickel-Plated | -         | -         |
| AT62-201-1631-22  | Socket | Machined | Size 16      | 13A | 22-24AWG         | -                             | -                  | Gold-Plated   | -         | -         |

### Contacts - Stamped & Formed

|                 |        |     |         |     |          |                         |               |               |       |             |
|-----------------|--------|-----|---------|-----|----------|-------------------------|---------------|---------------|-------|-------------|
| AT60-14-0122    | Pin    | S&F | Size 16 | 13A | 14-18AWG | 2.0-0.75mm <sup>2</sup> | 2.40 - 3.81mm | Nickel-Plated | -     | -           |
| AT60-14-0122-LP | Pin    | S&F | Size 16 | 13A | 14-18AWG | 2.0-0.75mm <sup>2</sup> | 2.40 - 3.81mm | Nickel-Plated | -     | Loose Piece |
| AT60-14-0144    | Pin    | S&F | Size 16 | 13A | 14-18AWG | 2.0-0.75mm <sup>2</sup> | 2.40 - 3.81mm | Gold-Plated   | -     | -           |
| AT60-14-0144-LP | Pin    | S&F | Size 16 | 13A | 14-18AWG | 2.0-0.75mm <sup>2</sup> | 2.40 - 3.81mm | Gold-Plated   | -     | Loose Piece |
| AT60-16-0122    | Pin    | S&F | Size 16 | 13A | 16-18AWG | 1.5-0.75mm <sup>2</sup> | 1.91 - 3.55mm | Nickel-Plated | -     | -           |
| AT60-16-0122-LP | Pin    | S&F | Size 16 | 13A | 16-18AWG | 1.5-0.75mm <sup>2</sup> | 1.91 - 3.55mm | Nickel-Plated | -     | Loose Piece |
| AT60-16-0144    | Pin    | S&F | Size 16 | 13A | 16-18AWG | 1.5-0.75mm <sup>2</sup> | 1.91 - 3.55mm | Gold-Plated   | -     | -           |
| AT60-16-0144-LP | Pin    | S&F | Size 16 | 13A | 16-18AWG | 1.5-0.75mm <sup>2</sup> | 1.91 - 3.55mm | Gold-Plated   | -     | Loose Piece |
| AT60-16-0622    | Pin    | S&F | Size 16 | 13A | 16-20AWG | 1.0-0.5mm <sup>2</sup>  | 1.40 - 2.54mm | Nickel-Plated | -     | -           |
| AT60-16-0622-LP | Pin    | S&F | Size 16 | 13A | 16-20AWG | 1.0-0.5mm <sup>2</sup>  | 1.40 - 2.54mm | Nickel-Plated | -     | Loose Piece |
| AT60-16-0644    | Pin    | S&F | Size 16 | 13A | 16-20AWG | 1.0-0.5mm <sup>2</sup>  | 1.40 - 2.54mm | Gold-Plated   | -     | -           |
| AT60-16-0644-LP | Pin    | S&F | Size 16 | 13A | 16-20AWG | 1.0-0.5mm <sup>2</sup>  | 1.40 - 2.54mm | Gold-Plated   | -     | Loose Piece |
| AT60-16-0322    | Pin    | S&F | Size 16 | 13A | 20-22AWG | 0.5-0.35mm <sup>2</sup> | 1.31 - 1.50mm | Nickel-Plated | -     | -           |
| AT60-16-0344    | Pin    | S&F | Size 16 | 13A | 20-22AWG | 0.5-0.35mm <sup>2</sup> | 1.31 - 1.50mm | Gold-Plated   | -     | -           |
| AT60-16-0377    | Pin    | S&F | Size 16 | 13A | 20-22AWG | 0.5-0.35mm <sup>2</sup> | 1.31 - 1.50mm | Tin-Plated    | -     | -           |
| AT60-16-0822    | Pin    | S&F | Size 16 | 13A | 20-22AWG | 0.5-0.35mm <sup>2</sup> | 1.31 - 1.50mm | Nickel-Plated | 4,000 | -           |
| AT60-16-0844    | Pin    | S&F | Size 16 | 13A | 20-22AWG | 0.5-0.35mm <sup>2</sup> | 1.31 - 1.50mm | Gold-Plated   | 4,000 | -           |
| AT62-14-0122    | Socket | S&F | Size 16 | 13A | 14-18AWG | 2.0-0.75mm <sup>2</sup> | 2.40 - 3.81mm | Nickel-Plated | -     | -           |
| AT62-14-0122-LP | Socket | S&F | Size 16 | 13A | 14-18AWG | 2.0-0.75mm <sup>2</sup> | 2.40 - 3.81mm | Nickel-Plated | -     | Loose Piece |
| AT62-14-0144    | Socket | S&F | Size 16 | 13A | 14-18AWG | 2.0-0.75mm <sup>2</sup> | 2.40 - 3.81mm | Gold-Plated   | -     | -           |
| AT62-14-0144-LP | Socket | S&F | Size 16 | 13A | 14-18AWG | 2.0-0.75mm <sup>2</sup> | 2.40 - 3.81mm | Gold-Plated   | -     | Loose Piece |
| AT62-16-0122    | Socket | S&F | Size 16 | 13A | 16-18AWG | 1.5-0.75mm <sup>2</sup> | 1.91 - 3.55mm | Nickel-Plated | -     | -           |
| AT62-16-0122-LP | Socket | S&F | Size 16 | 13A | 16-18AWG | 1.5-0.75mm <sup>2</sup> | 1.91 - 3.55mm | Nickel-Plated | -     | Loose Piece |
| AT62-16-0144    | Socket | S&F | Size 16 | 13A | 16-18AWG | 1.5-0.75mm <sup>2</sup> | 1.91 - 3.55mm | Gold-Plated   | -     | -           |

# AT, ATV, AHD, ARB, ARC, DuraMate™ and PanelMate™ Series

## Size 16 Contact & Tooling Options, cont.

Contacts - Stamped & Formed, cont.

| Part Number     | Type   | Style | Contact Size | Amp | Wire Range (AWG) | Wire Range (mm <sup>2</sup> ) | Insulation OD (mm) | Plating       | Reel Size | Packaging   |
|-----------------|--------|-------|--------------|-----|------------------|-------------------------------|--------------------|---------------|-----------|-------------|
| AT62-16-0144-LP | Socket | S&F   | Size 16      | 13A | 16-18AWG         | 1.5-0.75mm <sup>2</sup>       | 1.91 - 3.55mm      | Gold-Plated   | -         | Loose Piece |
| AT62-16-0622    | Socket | S&F   | Size 16      | 13A | 16-20AWG         | 1.0-0.5mm <sup>2</sup>        | 1.40 - 2.54mm      | Nickel-Plated | -         | -           |
| AT62-16-0622-LP | Socket | S&F   | Size 16      | 13A | 16-20AWG         | 1.0-0.5mm <sup>2</sup>        | 1.40 - 2.54mm      | Nickel-Plated | -         | Loose Piece |
| AT62-16-0644    | Socket | S&F   | Size 16      | 13A | 18-20AWG         | 1.0-0.5mm <sup>2</sup>        | 1.40 - 2.54mm      | Gold-Plated   | -         | -           |
| AT62-16-0644-LP | Socket | S&F   | Size 16      | 13A | 18-20AWG         | 1.0-0.5mm <sup>2</sup>        | 1.40 - 2.54mm      | Gold-Plated   | -         | Loose Piece |
| AT62-16-0822    | Socket | S&F   | Size 16      | 13A | 20-22AWG         | 0.5-0.35mm <sup>2</sup>       | 1.31 - 1.50mm      | Nickel-Plated | 4,000     | -           |
| AT62-16-0844    | Socket | S&F   | Size 16      | 13A | 20-22AWG         | 0.5-0.35mm <sup>2</sup>       | 1.31 - 1.50mm      | Gold-Plated   | 4,000     | -           |

Tooling

| Part Number      | Tool Name                                      | Style     | Contact Size  | Wire Range (AWG) | Material      | Color   |
|------------------|--|-----------|---------------|------------------|---------------|---------|
| AUTK-16          | Hand Crimp Tool                                | Machined  | Size 16       | -                | -             | -       |
| AUTK-100         | Universal Heavy Duty Contact Crimping Tool Kit | Machined  | Size 12/16/20 | 12-26AWG         | -             | -       |
| CA-5D12          | Universal Hand Crimp Tool                      | Machined  | Size 12/16/20 | 12-26AWG         | -             | -       |
| CA-5E12          | Pneumatic Crimp Tool                           | Machined  | Size 12/16/20 | 12-26AWG         | -             | -       |
| MFX-3950-G or K  | Crimp Die Press Applicator                     | S&F       | Size 16       | 18-20AWG         | -             | -       |
| MFX-3953-G or K  | Crimp Die Press Applicator                     | S&F       | Size 16       | 16-18AWG         | -             | -       |
| MFX-3975-G or K  | Crimp Die Press Applicator                     | S&F       | Size 16       | 14-16AWG         | -             | -       |
| MFX-3990         | Crimp Die                                      | S&F       | Size 16       | 20-22AWG         | -             | -       |
| ATT-16-00        | Hand Crimp Tool                                | S&F       | Size 16       | 14-16AWG         | -             | -       |
| ATT-16-01        | Hand Crimp Tool                                | S&F       | Size 16       | 18-20AWG         | -             | -       |
| ATT-1612-03      | Hand Crimp Tool                                | S&F       | Size 12/16    | 20-22AWG         | -             | -       |
| ATRT-100         | Contact and Wedgelock Extraction Tool          | Universal | Universal     | -                | Steel         | Silver  |
| AT11-310-1605    | Contact Extraction Tool                        | Universal | Size 16       | -                | Plastic       | Lt Blue |
| A114017          | Seal Plug                                      | Universal | Size 12/16    | -                | Thermoplastic | White   |
| A114017-SR       | Seal Plug                                      | Universal | Size 16       | -                | Thermoplastic | Black   |
| AT13-217-1605    | Locking Seal Plug                              | Universal | Size 16       | -                | Thermoplastic | Grey    |
| AT13-217-1605-SR | Locking Seal Plug                              | Universal | Size 16       | -                | Thermoplastic | Red     |