

NOTE:

1.MATERIAL:

- 1.1 HOUSING: PA4T, UL94V-0, HALOGEN FREE
- 1.2 CONTACT PIN: COPPY ALLOY
- 1.3 SOLDER TAB: COPPY ALLOY

2.FINISH:

- 2.1 CONTACT PIN: FINISH PLATING REFER TO ORDERING CODE
- 2.2 SOLDER TAB: TIN PLATED

3.ELECTRICAL CHARACTERISTICS

- RATING CURRENT: 1.0A AC/DC
- RATING VOLTAGE: 100V AC/DC
- OPERATING TEMPERATURE: -40°C~+105°C

4.MATE WITH RECEPTACLE: AFCI 10164367

5.PARTS MEET REFLOW APPLICATION PEAK TEM. 260°C, 10s MAX.

6.ORDERING CODE: 10164366-X XX X X LF

COLOR  
0: NATURAL  
1: BLACK

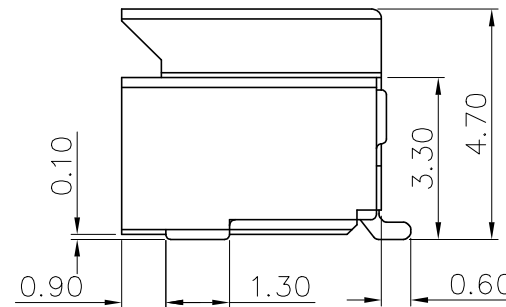
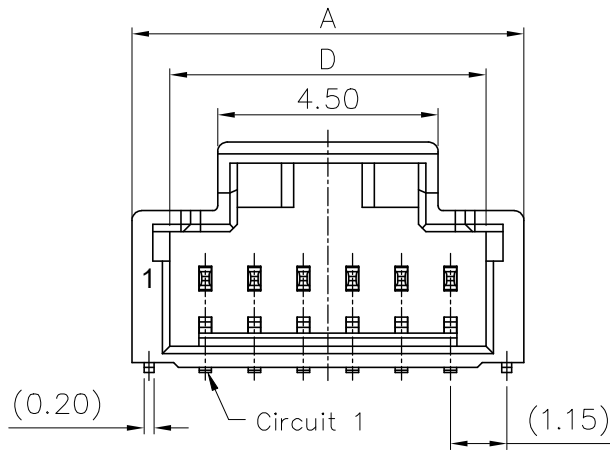
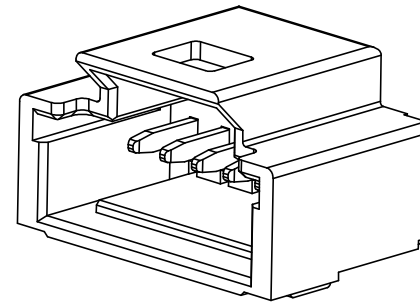
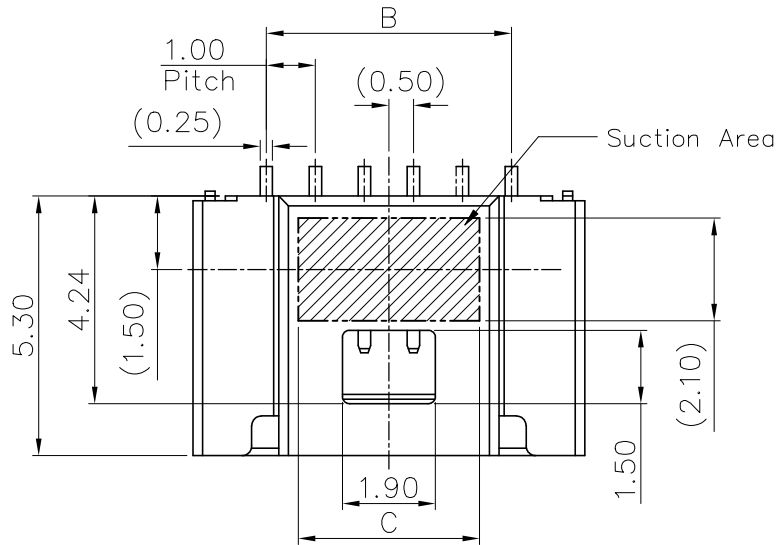
NO. OF PINS  
02~15: 02~15 PINS

PACKAGE  
1: TAPE&REEL

CONTACT FINISH  
1: MATTE TIN  
2: CONTACT AREA GOLD 15u" MIN  
+SOLDER AREA GOLD FLASH  
3: CONTACT AREA GOLD 30u" MIN  
+SOLDER AREA GOLD FLASH  
4: GOLD FLASH OVER ALL  
5: CONTACT AREA GOLD 30u" MIN  
+SOLDER AREA MATTE TIN

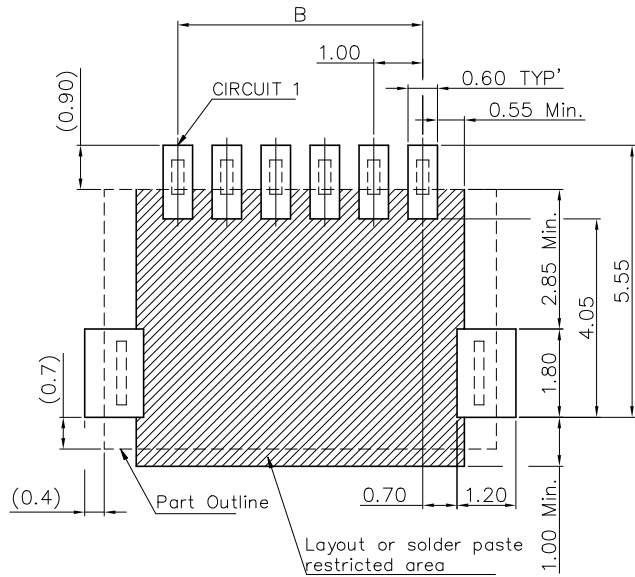
Part number	Dimensions (mm)			
	A	B	C	D
10164366-002X1LF	4.00	1.00	3.20	2.45
10164366-003X1LF	5.00	2.00	4.20	3.45
10164366-004X1LF	6.00	3.00	5.20	4.45
10164366-005X1LF	7.00	4.00	6.20	5.45

mat'l. code		surface	tolerance	projection	product family
		ISO 1302	ISO 406/ISO 1101		FITMATE
ltr		tolerances unless otherwise specified			title
A	New Release	JH	2025/01/10	mm	1.00mm pitch connector header R/A
		angles	.0±.5	scale 1:1	
		linear	.00±.25		
		0°±2°	.000±.10		
		dr	Jeffrey.Huang		dwg no
		engr	Jeffrey.Huang		sheet 1 of 3
		chr	TIM YAO		size
		appd	TIM YAO		A4
sheet index		revision	A		Amphenol FCI
sheet		1~3			10164366
					Product Customer Drawing

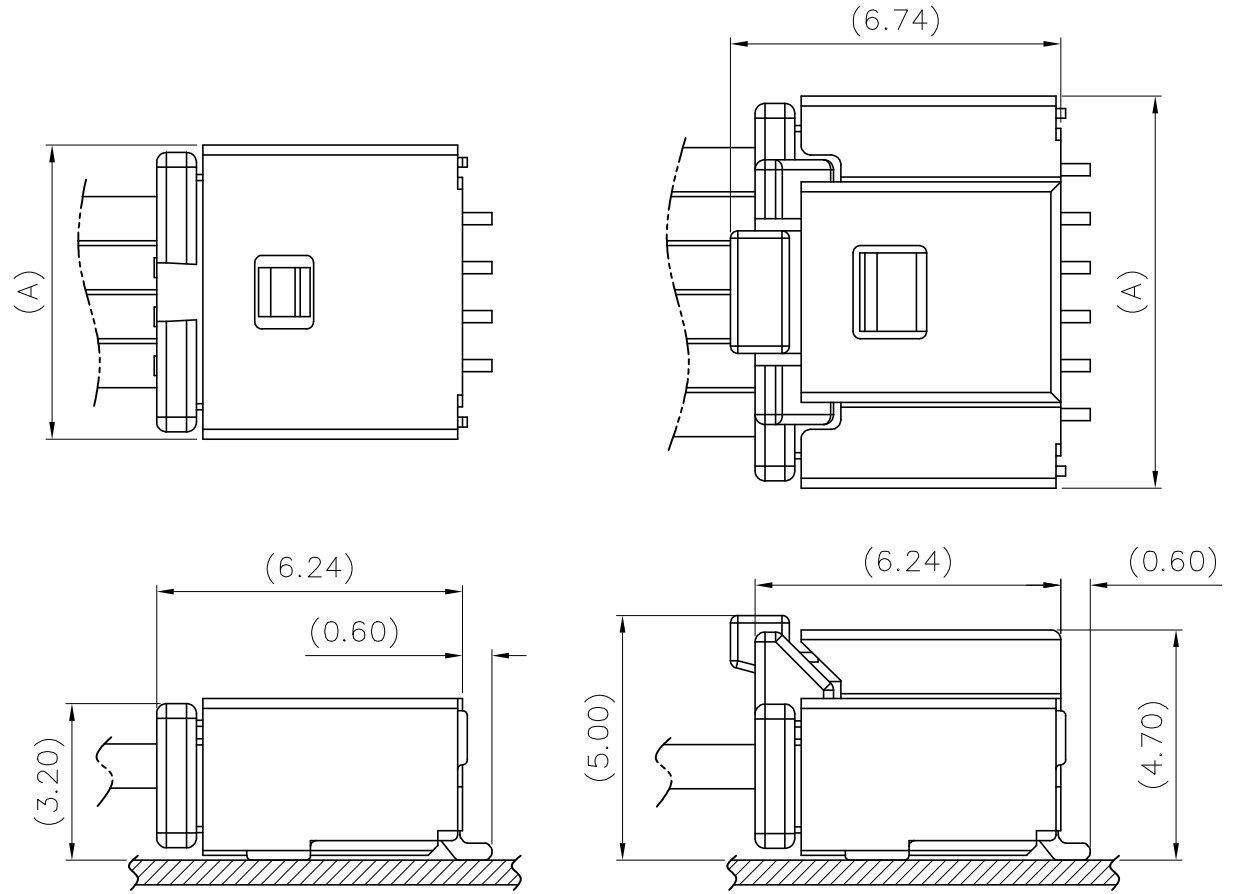


Part number	Dimensions (mm)				Part number	Dimensions (mm)			
	A	B	C	D		A	B	C	D
10164366-006X1LF	8.00	5.00	3.70	6.45	10164366-011X1LF	13.00	10.00	3.70	11.45
10164366-007X1LF	9.00	6.00	3.70	7.45	10164366-012X1LF	14.00	11.00	3.70	12.45
10164366-008X1LF	10.00	7.00	3.70	8.45	10164366-013X1LF	15.00	12.00	3.70	13.45
10164366-009X1LF	11.00	8.00	3.70	9.45	10164366-014X1LF	16.00	13.00	3.70	14.45
10164366-010X1LF	12.00	9.00	3.70	10.45	10164366-015X1LF	17.00	14.00	3.70	15.45

mat'l. code		surface	tolerance	projection	product family	
ltr		ISO 1302	ISO 406/ISO 1101		FITMATE	
ecn no		tolerances unless otherwise specified		title		
dr		angles	.0±.5	1.00mm pitch connector header R/A		
date		linear	.00±.25	mm		
		0°±2°	.000±.10	scale 1:1		
		dr	Jeffrey.Huang	dwg no		
		engr	Jeffrey.Huang	sheet 2 of 3		
		chr	TIM YAO	size		
		appd	TIM YAO	A4		
				type		
				Product Customer Drawing		
sheet index	revision	A				
sheet	sheet	1~3				



Recommended PCB Layout  
General Tolerance: ±0.05



Mated view (02~05pos)

Mated view (06~15pos)

mat'l. code		surface	tolerance	projection	product family		
ltr		ISO 1302	ISO 406/ISO 1101		FITMATE		
ecn no		tolerances unless otherwise specified		mm	title		
dr		angles	linear			1.00mm pitch connector header R/A	
date		0°±2'	.0±.5	scale 1:1	dwg no		
			.00±.25			Amphenol FCI	sheet 3 of 3
			.000±.10				
		dr	Jeffrey.Huang	type Product Customer Drawing			
		engr	Jeffrey.Huang				
		chr	TIM YAO				
		appd	TIM YAO				
sheet index	revision	A					
sheet	sheet	1~3					