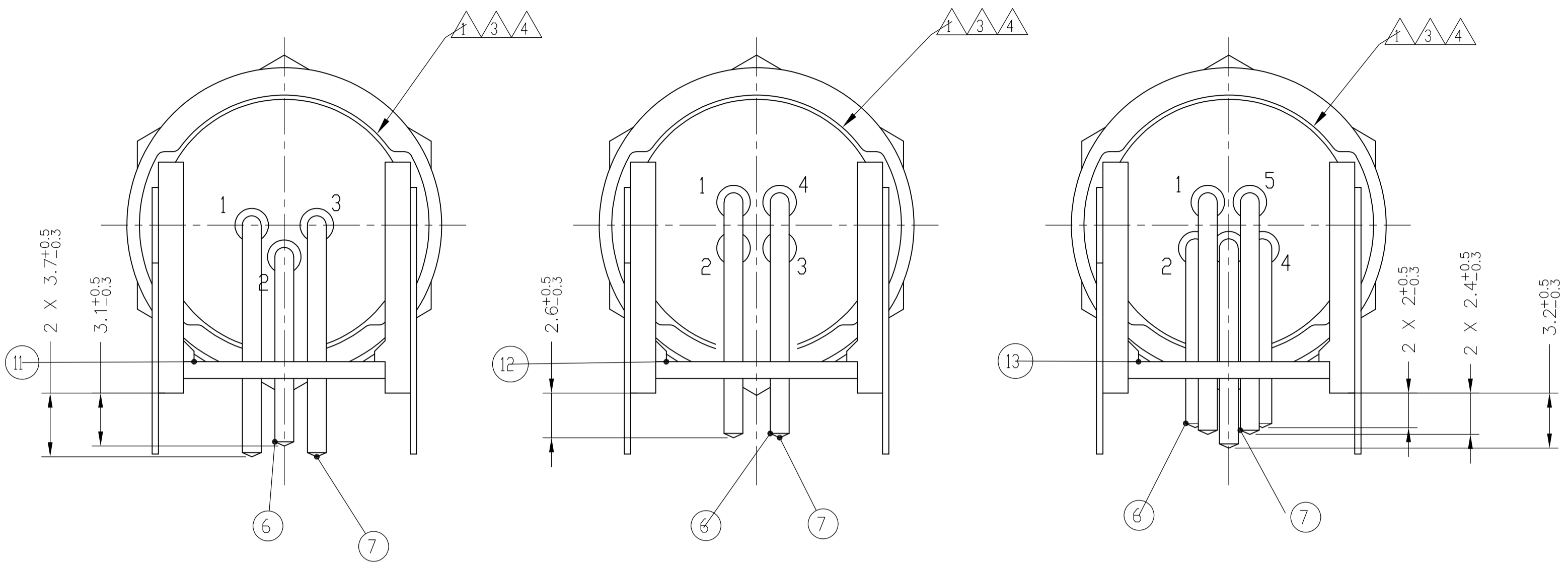


REVISONS		DATE	BY	APPV
A2	REVISED PER ECO-13-009681	12JUN13	KH	MB

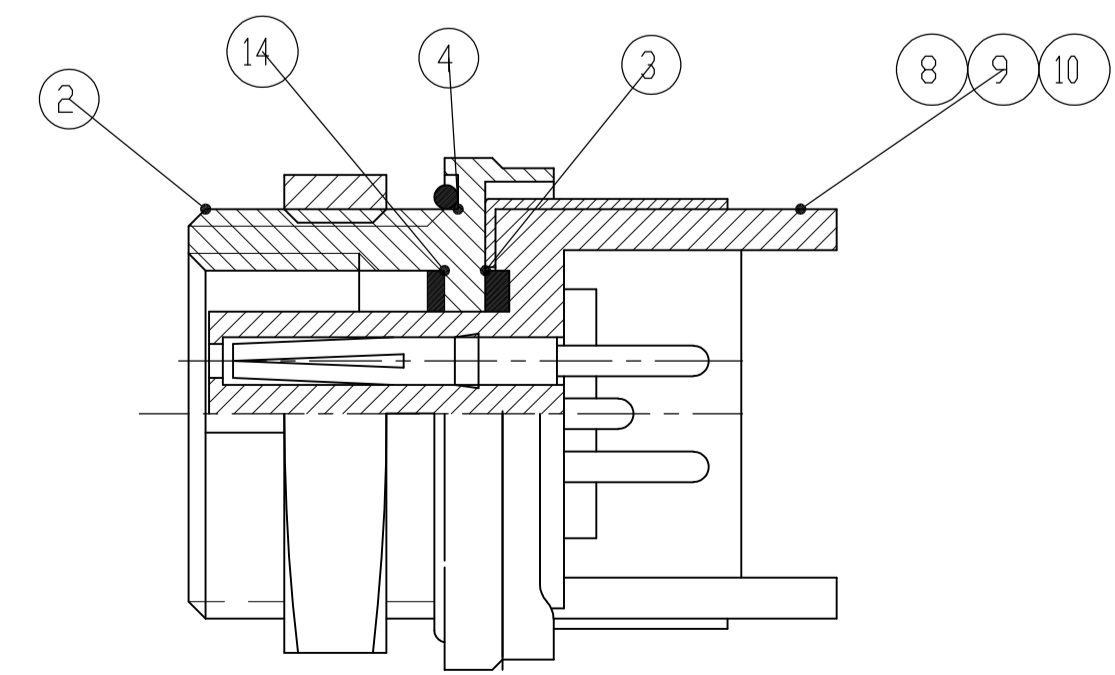
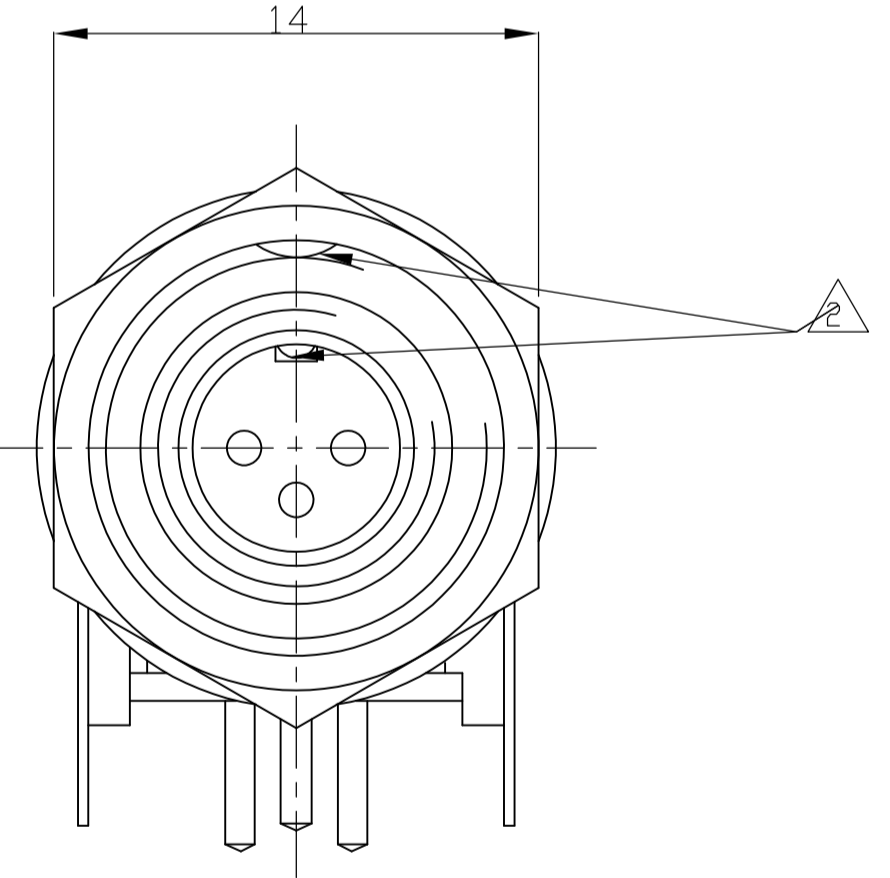
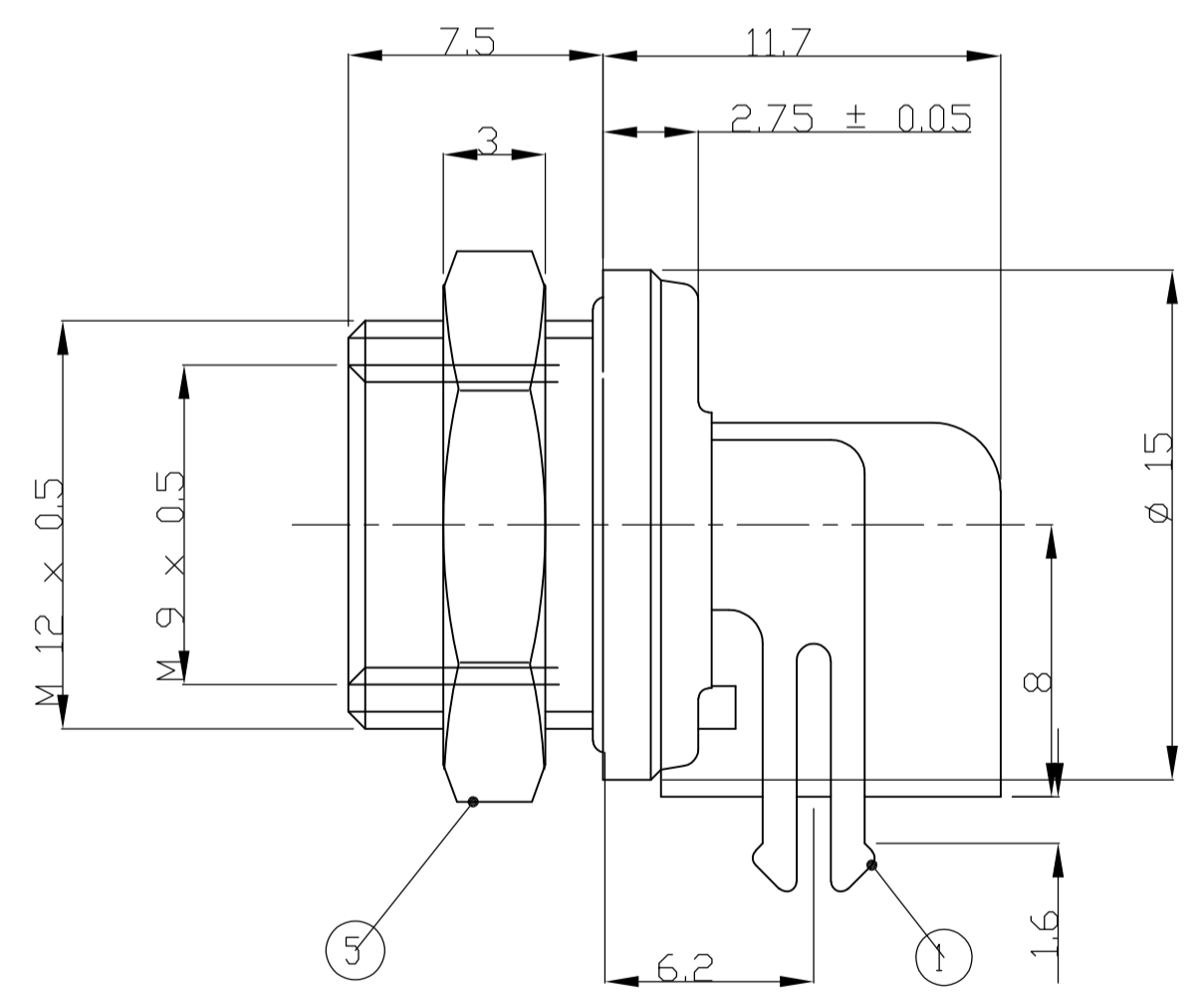
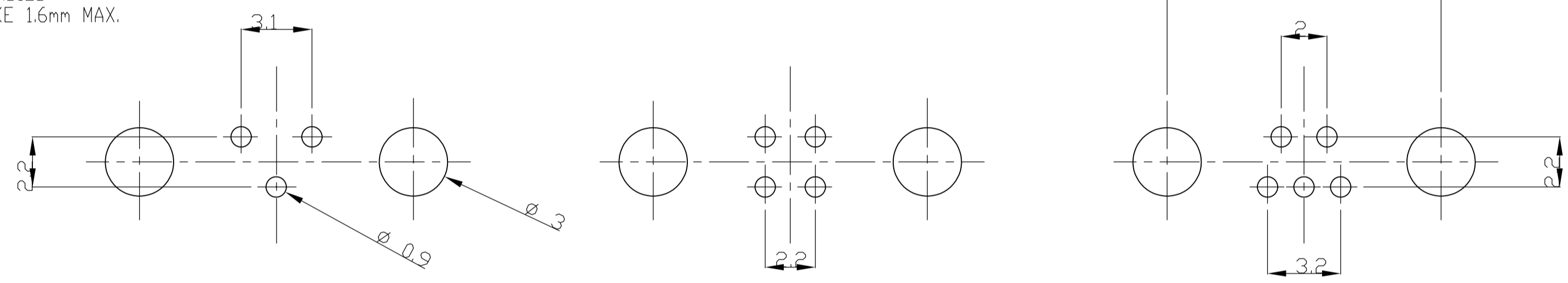
3 WAY
3 POLIG

4 WAY
4 POLIG

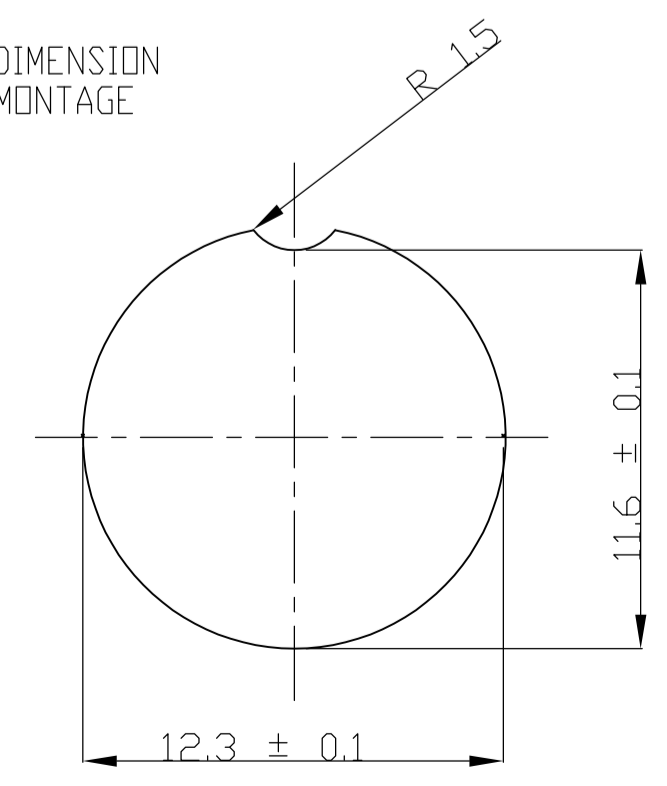
5 WAY
5 POLIG



PCB HOLES
PCB THICKNESS 1.6mm MAX.
PCB LOCHBILD
PCB DICKE 1.6mm MAX.



MOUNTING HOLE DIMENSION
LOCHBILD FUER MONTAGE



MATERIAL / MATERIAL: PBT, UL-94 V2	5
SHELL MATERIAL / GEHAUSEMATERIAL: CUZN	
FINISH / BESCHICHTUNG: TRIBOR 4µm	
WIRE GAGE / DRAHTGRÖSSE IN mm ² : 0.25	4
CONTACT RESISTANCE / KONTAKTWIDERSTAND: => 5 m Ω	3
CODING / CODIERUNG	2
RATED CURRENT PER CONTACT / NENNSTROM PRO KONTAKT: 3 A	1
SHELL PROTECTION CLASS / SCHUTZKLASSE: IP 65 / DIN 40050	
TERMINATION: SOLDERING / VERBINDUNG: LOETKONTAKTE	
TEST VOLTAGE / PRUEFSPANNUNG: 500 VAC	
OPERATING VOLTAGE / BETRIEBSSPANNUNG: 60 VAC	
OPERATING TEMPERATURE: -40 °C TO +80 °C / ARBEITSTEMPERATUR: -40 °C BIS +80 °C	
MATING CYCLES / STECKZYKLEN: 500 MAX.	
TECHNICAL DATA TECHNISCHE DATEN	

TYCO-NO./TYCO NR.				
6-1437719-0	5-1437719-7	5-1437719-4		
1	1	1	SEAL / DICHTUNG	14
1			PLATE 5 POS. / PLATTE 5 POL.	13
	1		PLATE 4 POS. / PLATTE 4 POL.	12
		1	PLATE 3 POS. / PLATTE 3 POL.	11
1			INSULATION TUBE 5 POS. / ISOLIERHUELSE 5 POL.	10
	1		INSULATION TUBE 4 POS. / ISOLIERHUELSE 4 POL.	9
		1	INSULATION TUBE 3 POS. / ISOLIERHUELSE 3 POL.	8
2	2	2	SOCKET APPLIED BY PRESSURE / BUCHSENKONTAKT EINGEPRESST	7
3	2	1	SOCKET APPLIED BY PRESSURE / BUCHSENKONTAKT EINGEPRESST	6
1	1	1	NUT / MUTTER	5
1	1	1	SEAL / DICHTUNG	4
1	1	1	SEAL / DICHTUNG	3
1	1	1	HOUSING / GEHAUSE	2
1	1	1	GROUND ON PCB SPRING / VERBINDUNGSFEDER ZUR PCB MASSE	1
-	-	-	REVISION OF EACH ASSY NO. (WHEN BLANK, USE DWG REV.)	
QTY REQD PER ASSY			DESCRIPTION / BESCHREIBUNG	ITEM-NO. TEIL-NR.
T01-0560-S05	T01-0560-S04	T01-0560-S03	PARTS LIST / TEILE LISTE	
CATALOG-NO.	CATALOG-NO.	CATALOG-NO.		

AS SHOWN
5-1437719-4 WIE GEZEICHNET

THIS DRAWING IS A CONTROLLED DOCUMENT.		DIN N. GEISTER 18JUN2001	TE Connectivity	
		CHK H. SCHREIER 18JUN2001		
DIMENSIONS: mm		APVD G. FELDMEIER 18JUN2001	NAME	
0 PLC ± 0.3 1 PLC ± 0.3 2 PLC ± 0.3 3 PLC ± 0.3 4 PLC ± 0.3 ANGLES ± 1°		PRODUCT SPEC	T01 FEMALE PLUG CONN. PANEL MNT. PCB VER. 3-5 POS. 90 DGR, T01 BUCHSENSTECKER, EINBAU, PCB VERSION 3-5 POL. 90 GRAD	
MATERIAL 5		APPLICATION SPEC	PRODUKTSPEZ	
		VERARBEITUNGSSPEZ	APPRECIATION	
		WEIGHT	SIZE A1	CAGE CODE 00779
		RESTRICTED CUSTOMER	DRAWING NO. 5-1437719-4	RESTRICTED TO
		SCALE 1:1	SHEET 1 of 1	REV A2