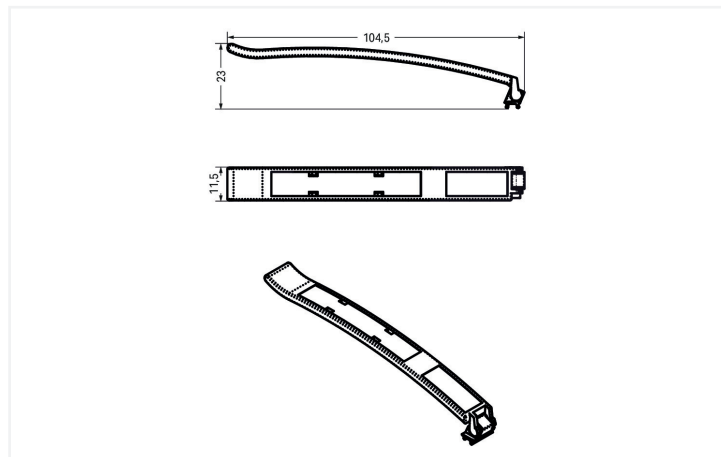


Data Sheet | Item Number: 750-103

Group marker carrier

<https://www.wago.com/750-103>



Color: transparent

Dimensions in mm

The hinged 750-103 Marker Carrier allows group marking of WAGO I/O System 750/753 Series components, while featuring a large area for marking components individually.

The marker carrier can be accommodated in the upper Mini-WSB marker slot.

Technical data

Suitable	Allows group marking of WAGO I/O System components
Properties	Hinged

Physical data

Height	23 mm
Width	11.5 mm / 0.453 inches
Depth	104.5 mm / 4.114 inches

Material data

Color	transparent
Weight	2.8 g
Fire load	0.087 MJ

Commercial data

Product Group	15 (I/O System)
PU (SPU)	50 pcs
Packaging type	Box
Country of origin	DE
GTIN	4045454769475
Customs tariff number	39269097900

Product Classification	
UNSPSC	39121708
eCl@ss 10.0	27-14-40-75
eCl@ss 9.0	27-37-12-29
ETIM 9.0	EC002248
ETIM 10.0	EC002248
ECCN	NO US CLASSIFICATION

Environmental Product Compliance	
RoHS Compliance Status	Compliant, No Exemption

Downloads

Environmental Product Compliance

Compliance Search	
Environmental Product Compliance 750-103	↓

Documentation

Bid Text			
750-103	19.02.2019	xml 3.02 KB	↓
750-103	09.01.2019	docx 13.54 KB	↓

CAD/CAE-Data

CAD data	
2D/3D Models 750-103	↓

CAE data	
EPLAN Data Portal 750-103	↓
WSCAD Universe 750-103	↓

1 Compatible Products

1.1 Required Accessories

1.1.1 Marking

1.1.1.1 Marker



Item No.: 750-105
Marker card; as a DIN A4 sheet; plain

1.2 Optional Accessories

1.2.1 Marking

1.2.1.1 Marking strip



Item No.: [709-178](#)

Marking strips; on reel; 7.5 mm wide; not stretchable; plain; snap-on type; white