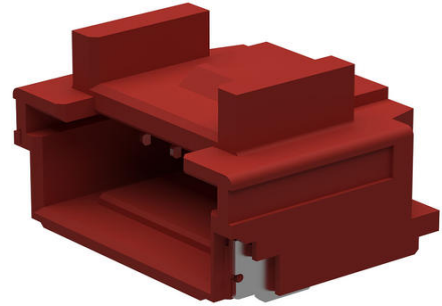




**Part Number :** [5019530327](#)  
**Series Number :** 501953  
**Status :** Active - Proprietary  
**Product Category :** PCB Headers and Receptacles



---

## Drawings

[5019530327\\_sd.pdf](#)

[5019530327\\_stp.zip](#)

[5019530327.dxf](#)

## Specifications

[5013300000-AS-000.pdf](#)


[SPK-501953-002-001.pdf](#)

[PS-501940-001-001.pdf](#)

---

## Product Environment Compliance

### Compliance

GADSL/IMDS	Compliant with Exemption 44; 33
China RoHS	 per SJ/T 11365-2006
EU ELV	Not Relevant
Low-Halogen Status	Not Low-Halogen per IEC 61249-2-21
REACH SVHC	Not Contained per D(2025)7771-DC (04 Feb 2026)
EU RoHS	Compliant per EU 2015/863

### Compliance Statements

- EU RoHS
- REACH SVHC
- Low-Halogen

### Industry Documents

- IPC 1752A Class C
- IPC 1752A Class D

- Molex Product Compliance Declaration
- IEC-62474
- chemSHERPA (xml)

Substances of Interest

- PFAS

EU RoHS Certificate of Compliance

Additional Product Compliance Information

---

## Part Details

### General

Status	Active - Proprietary
Category	PCB Headers and Receptacles
Series	501953
Description	1.00mm Pitch, Pico-Clasp PCB Header, Single Row, Right-Angle, Surface Mount, 0.10µm Gold Plated, Outer Positive Lock, 3 Circuits, Red
Application	Signal, Wire-to-Board
Component Type	PCB Header
Product Name	Pico-Clasp
UPC	800756912271

### Agency

UL	E29179
----	--------

### Electrical

Current - Maximum per Contact	1.5A
Voltage - Maximum	100V AC (RMS)/DC

### Physical

Breakaway	No
Circuits (Loaded)	3
Circuits (maximum)	3
Color - Resin	Red
Durability (mating cycles max)	30

First Mate / Last Break	No
Glow-Wire Capable	No
Guide to Mating Part	No
Keying to Mating Part	No
Lock to Mating Part	Yes
Mated Height	4.75mm
Material - Metal	Phosphor Bronze
Material - Plating Mating	Gold
Material - Plating Termination	Gold
Material - Resin	Nylon
Net Weight	111.040/mg
Number of Rows	1
Orientation	Right Angle
Packaging Type	Embossed Tape on Reel
PCB Locator	No
PCB Retention	Yes
Pitch - Mating Interface	1.00mm
Plating min - Mating	0.102µm
Plating min - Termination	0.051µm
Polarized to Mating Part	Yes
Polarized to PCB	No
Shrouded	Shrouded
Stackable	No
Temperature Range - Operating	-40° to +105°C
Termination Interface Style	Surface Mount

---

## Mates With / Use With

### Mates with Part(s)

Description	Part Number
1.00mm Pitch, Pico-Clasp Low-Halogen Single Row Receptacle Housings	<u><a href="#">501939</a></u>

---

This document was generated on Apr 30, 2026