

# DATA SHEET

**CURRENT SENSOR - LOW TCR**

AUTOMOTIVE GRADE

PA series

5%, 1%, 0.5%

sizes 0100/0201/0402/0603/0805/1206/2010/2512

RoHS compliant & Halogen free



**SCOPE**

This specification describes PA0100 to 2512 series current sensor - low TCR with metal substrate.

**APPLICATIONS**

- Smart Phone
- Batteries
- Computer
- Telecom / Datacom
- Industrial / Power supply
- Car electronics

**FEATURES**

- AEC-Q200 qualified
- Halogen-free Epoxy
- Total lead free without RoHS exemption
- RoHS compliant
- Reduce environmentally hazardous wastes
- High component and equipment reliability
- Non-forbidden materials used in products/production
- Low resistances applied to current sensing
- Moisture sensitivity level: MSL 1
- Resistance against sulfur-containing atmosphere

**ORDERING INFORMATION - GLOBAL PART NUMBER**

Global part numbers are identified by the series, size, tolerance, packing type, temperature coefficient, taping reel and resistance value.

**GLOBAL PART NUMBER**

PA XXXX X X X XX XXXX X  
 (1) (2) (3) (4) (5) (6) (7)

**(1) SIZE**

0100/0201/0402/0603/0805/1206/2010/2512

**(2) TOLERANCE**

D = ±0.5%  
 F = ±1%  
 J = ±5%

**(3) PACKAGING TYPE**

R = Paper taping reel (PA0100~PA1206)  
 K = Embossed taping reel (PA2010/PA2512)

**(4) TEMPERATURE COEFFICIENT OF RESISTANCE**

E = ± 50ppm/°C  
 M = ± 75ppm/°C  
 F = ± 100ppm/°C  
 L = ± 150ppm/°C  
 G = ± 200ppm/°C  
 I = ± 300ppm/°C

**(5) TAPING REEL**

07 / 7W / 7T / 47 / 57 / 87 / 0L / WL / 4L inch dia. Reel and specific rated power  
 Detailed power rating are shown in the Table 2.

**(6) RESISTANCE VALUE**

0.5 mΩ to 20 mΩ

**(7) DEFAULT CODE**

Letter L / Z is the system default code for ordering only. <sup>(Note)</sup>  
 L is for 0100/0201/0402/0603/0805  
 Z is for only 1206/2010/2512

Resistance code rule	Example
0UX	0U5=0.0005Ω
0RXXX	0R001 = 1mΩ
	0R02 = 20mΩ

**ORDERING EXAMPLE**

The ordering code for a PA0805 0.125W chip resistor,TC50 value 0.01Ω (10mR) with ± 1% tolerance, supplied in 7-inch tape reel with 5Kpcs quantify is: PA0805FRE070R01L.

**NOTE**

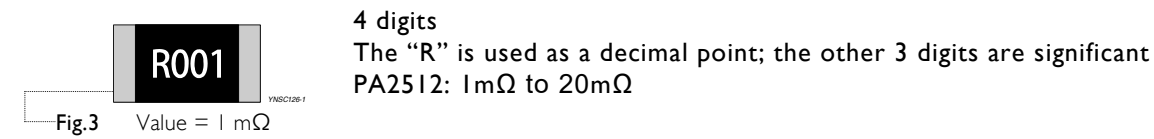
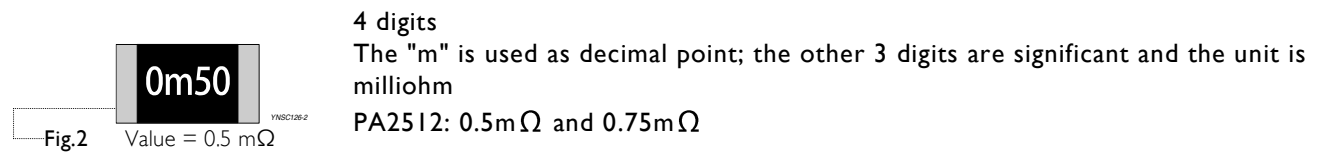
I. All our RChip products are RoHS compliant. "LFP" of the internal 2D reel label mentions "Lead-Free Process"

**MARKING**

PA0100/0201/0402/0603/0805/1206/2010



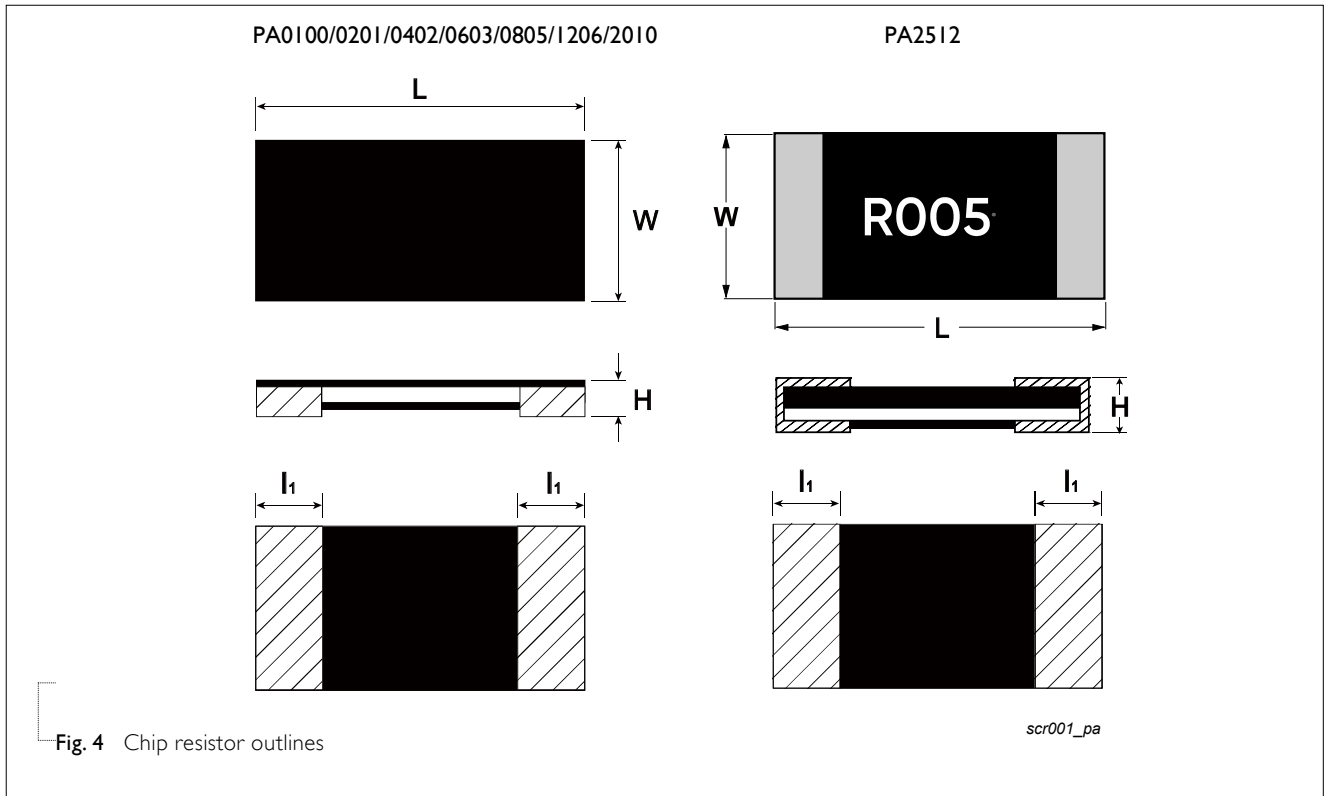
**PA2512**



**CONSTRUCTION**

The resistors are constructed by using outstanding TCR level materials, which make Yageo PA resistors excellent for current sensing application in battery charger circuit & DC-DC converter. The advanced resistive materials are adopted to get the precisely required resistance. Finally, the three materials of external terminations (Cu / Ni / matte Tin) are added, as shown in Fig. 4.

**Outlines**



## DIMENSION

Table 1 For outlines, please refer to Fig. 5

TYPE	RESISTANCE RANGE	L (mm)	W (mm)	H (mm)	ll (mm)
PA0100	$10\text{m}\Omega \leq R < 100\text{m}\Omega$	$0.40 \pm 0.03$	$0.20 \pm 0.03$	Max. 0.15	$0.10 \pm 0.03$
PA0201	$5\text{m}\Omega \leq R < 50\text{m}\Omega$	$0.60 \pm 0.03$	$0.31 \pm 0.04$	Max. 0.30	$0.15 \pm 0.06$
PA0402	$2\text{m}\Omega \leq R \leq 20\text{m}\Omega$	$1.00 \pm 0.10$	$0.55 \pm 0.10$	Max. 0.40	$0.25 \pm 0.10$
PA0603	$1\text{m}\Omega$	$1.60 \pm 0.20$	$0.80 \pm 0.20$	$0.55 \pm 0.15$	$0.38 \pm 0.12$
	$2\text{m}\Omega$	$1.60 \pm 0.20$	$0.80 \pm 0.20$	$0.45 \pm 0.15$	$0.38 \pm 0.12$
	$2.5\text{m}\Omega \leq R \leq 20\text{m}\Omega$	$1.60 \pm 0.20$	$0.80 \pm 0.20$	$0.30 \pm 0.15$	$0.38 \pm 0.12$
PA0805	$0.5\text{m}\Omega$	$2.03 \pm 0.20$	$1.27 \pm 0.20$	Max. 0.9	$0.70 \pm 0.10$
	$1\text{m}\Omega$	$2.03 \pm 0.20$	$1.27 \pm 0.20$	$0.55 \pm 0.15$	$0.60 \pm 0.15$
	$1.5\text{m}\Omega / 2\text{m}\Omega$	$2.03 \pm 0.20$	$1.27 \pm 0.20$	$0.45 \pm 0.15$	$0.50 \pm 0.15$
	$2.5\text{m}\Omega \leq R \leq 20\text{m}\Omega$	$2.03 \pm 0.20$	$1.27 \pm 0.20$	$0.30 \pm 0.15$	$0.35 \pm 0.20$
PA1206 (0L/WL/4L)	$1\text{m}\Omega$	$3.20 \pm 0.25$	$1.60 \pm 0.25$	$0.50 \pm 0.10$	$1.04 \pm 0.25$
	$2\text{m}\Omega$	$3.20 \pm 0.25$	$1.60 \pm 0.25$	$0.45 \pm 0.10$	$1.04 \pm 0.25$
PA1206 (07/7W/47)	$1\text{m}\Omega$	$3.20 \pm 0.25$	$1.60 \pm 0.25$	$0.65 \pm 0.25$	$0.51 \pm 0.25$
	$1.5\text{m}\Omega \leq R \leq 2\text{m}\Omega$	$3.20 \pm 0.25$	$1.60 \pm 0.25$	$0.55 \pm 0.25$	$0.60 \pm 0.25$
	$2.5\text{m}\Omega / 3\text{m}\Omega$	$3.20 \pm 0.25$	$1.60 \pm 0.25$	$0.40 \pm 0.25$	$0.80 \pm 0.30$
	$4\text{m}\Omega \leq R \leq 20\text{m}\Omega$	$3.20 \pm 0.25$	$1.60 \pm 0.25$	$0.40 \pm 0.25$	$0.60 \pm 0.30$
PA2010	$1\text{m}\Omega \leq R \leq 3\text{m}\Omega$	$5.08 \pm 0.25$	$2.54 \pm 0.25$	$0.50 \pm 0.25$	$1.40 \pm 0.25$
	$4\text{m}\Omega \leq R \leq 20\text{m}\Omega$	$5.08 \pm 0.25$	$2.54 \pm 0.25$	$0.40 \pm 0.25$	$0.70 \pm 0.25$
PA2512	$0.5\text{m}\Omega \leq R \leq 0.75\text{m}\Omega$	$6.35 \pm 0.25$	$3.18 \pm 0.25$	$0.40 \pm 0.25$	$2.72 \pm 0.25$
	$1\text{m}\Omega \leq R \leq 4\text{m}\Omega$	$6.35 \pm 0.25$	$3.18 \pm 0.25$	$0.40 \pm 0.25$	$2.21 \pm 0.25$
	$5\text{m}\Omega \leq R \leq 7\text{m}\Omega$	$6.35 \pm 0.25$	$3.18 \pm 0.25$	$0.40 \pm 0.25$	$1.19 \pm 0.25$
	$7\text{m}\Omega < R \leq 20\text{m}\Omega$	$6.35 \pm 0.25$	$3.18 \pm 0.25$	$0.40 \pm 0.25$	$0.76 \pm 0.25$

## Note:

1. For relevant physical dimensions, please refer to construction outlines.
2. Please contact with sales offices, distributors and representatives in your region before ordering.

**ELECTRICAL CHARACTERISTICS**

Table 2

SIZE	POWER RATING <sup>(4)</sup> @ 70°C						TOLERANCE <sup>(2)</sup>	RESISTANCE RANGE	TEMPERATURE COEFFICIENT OF RESISTANCE <sup>(3)</sup>
	07 0L <sup>(5)</sup>	7W WL <sup>(5)</sup>	7T	47 4L <sup>(5)</sup>	57	87			
0100	1/32W	1/16W	--	--	--	--	±1%(F) ±5%(J)	10mΩ ≤ R < 100mΩ	±300 ppm/°C(I)
0201	1/20W	1/10W	3/20W	1/5W	--	--	±0.5%(D)	20mΩ	±150 ppm/°C(L)
							±1%(F) ±5%(J)	5mΩ ≤ R < 50mΩ	
0402	1/16W	1/8W	1/6W	1/4W	1/3W	--	±0.5%(D)	15mΩ ≤ R ≤ 20mΩ	±150 ppm/°C(L) ±100 ppm/°C(F)
							±1%(F) ±5%(J)	2mΩ ≤ R ≤ 20mΩ	
0603	1/10W	1/5W	1/3W	2/5W	1/2W	--	±0.5%(D)	10mΩ ≤ R ≤ 20mΩ	1mΩ ±200 ppm/°C(G) 2/2.5mΩ ±150 ppm/°C(L) 3mΩ ≤ R ≤ 20mΩ ±50 ppm/°C(E), ±75 ppm/°C(M)
							±1%(F) ±5%(J)	1mΩ ≤ R ≤ 20mΩ	
0805	1/8W	1/4W	--	1/2W	--	1W	±0.5%(D)	5mΩ ≤ R ≤ 20mΩ	0.5/1/1.5mΩ ±100 ppm/°C(F) ±150 ppm/°C(L) ±200 ppm/°C(G) 2mΩ ≤ R ≤ 20mΩ ±50 ppm/°C(E)
							±1%(F) ±5%(J)	0.5mΩ, 1mΩ ≤ R ≤ 20mΩ	
1206 (0L/WL/4L)	1/4W	1/2W	--	1W	--	--	±1%(F) ±5%(J)	1m / 2mΩ	±50 ppm/°C(E)
1206 (07/7W/47)	1/4W	1/2W	--	1W	--	--	±0.5%(D)	5mΩ ≤ R ≤ 20mΩ	±50 ppm/°C(E)
							±1%(F) ±5%(J)	1mΩ ≤ R ≤ 20mΩ	
2010	1/2W	1W	3/2W	2W	--	--	±0.5%(D)	5mΩ ≤ R ≤ 20mΩ (2W : 5mΩ ≤ R ≤ 10mΩ)	±50 ppm/°C(E)
							±1%(F) ±5%(J)	1mΩ ≤ R ≤ 20mΩ (2W : 1mΩ ≤ R ≤ 10mΩ)	
2512	1W	2W	--	--	--	--	±0.5%(D) ±1%(F) ±5%(J)	(1W : 0.5mΩ ≤ R ≤ 20mΩ) (2W : 0.5mΩ ≤ R < 10mΩ)	1mΩ ≤ R ≤ 20mΩ ±50 ppm/°C(E) 0.5mΩ ≤ R ≤ 0.75mΩ ±75 ppm/°C(M)

Note: 1. Please contact with sales offices, distributors and representatives in your region before ordering.

2. Global part number (code7)
3. Global part number (code9)
4. Global part number (code10-11)
5. 0L/WL/4L are only for PA1206 1m/2mΩ

**FUNCTIONAL DESCRIPTION**

**OPERATING TEMPERATURE RANGE**

PA0100 to PA0402 Range: -55°C to +125°C  
 PA0603 to P2512 Range: -55°C to +170°C

**POWER RATING**

Standard rated power at 70°C: For detail power value, please refer to Table 2.

**RATED VOLTAGE**

The DC or AC (rms) continuous working voltage corresponding to the rated power is determined by the following formula:

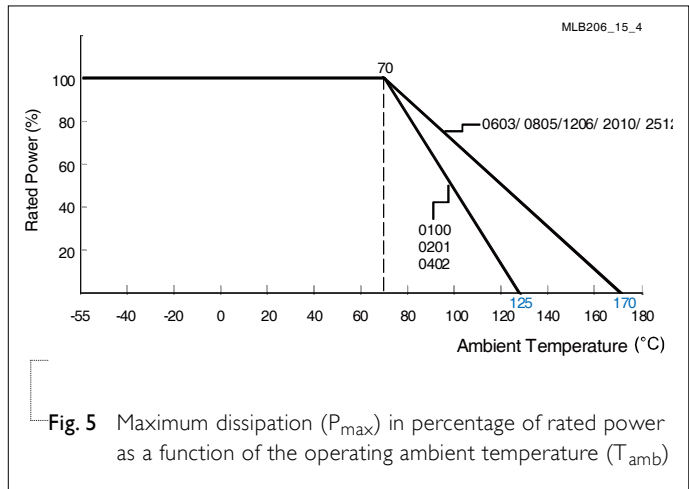
$$V = \sqrt{(PxR)}$$

Where

V = Continuous rated DC or AC (rms) working voltage (V)

P = Rated power (W)

R = Resistance value (Ω)

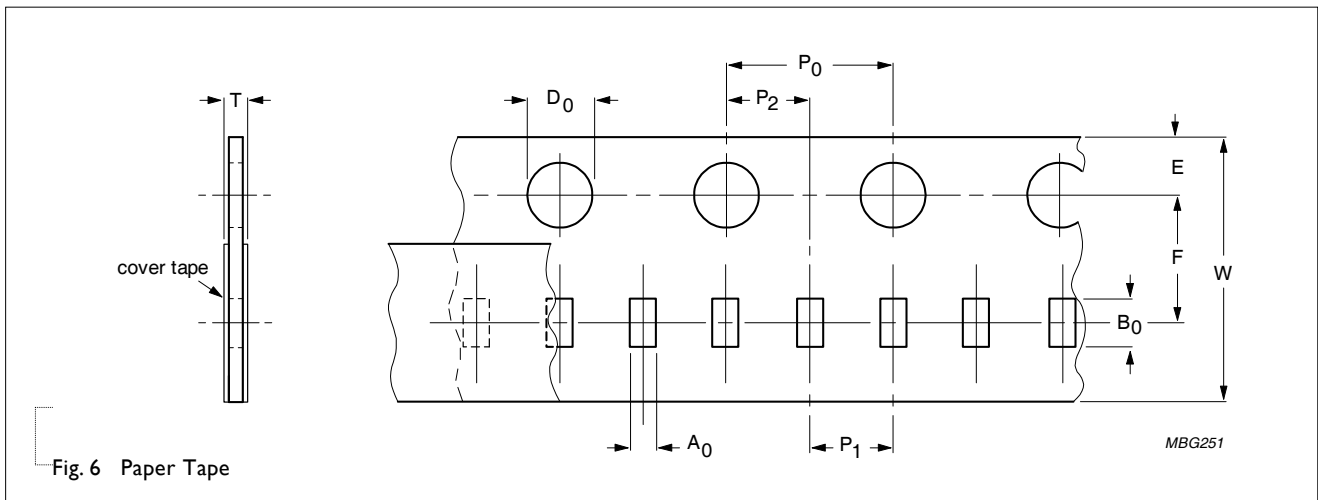


**PACKING STYLE AND PACKAGING QUANTITY**

Table 3 Packing style and packaging quantity

PACKING STYLE	REEL DIMENSION	PA0100	PA0201	PA0402	PA0603	PA0805	PA1206	PA2010	PA2512
Paper Taping Reel (R)	7" (178 mm)	20,000	10,000	10,000	5,000	5,000	4,000	-	-
Embossed Taping Reel (K)	7" (178 mm)	-	-	-	-	-	-	4,000	4,000

**PAPER TAPE**



**EMBOSSED TAPE**

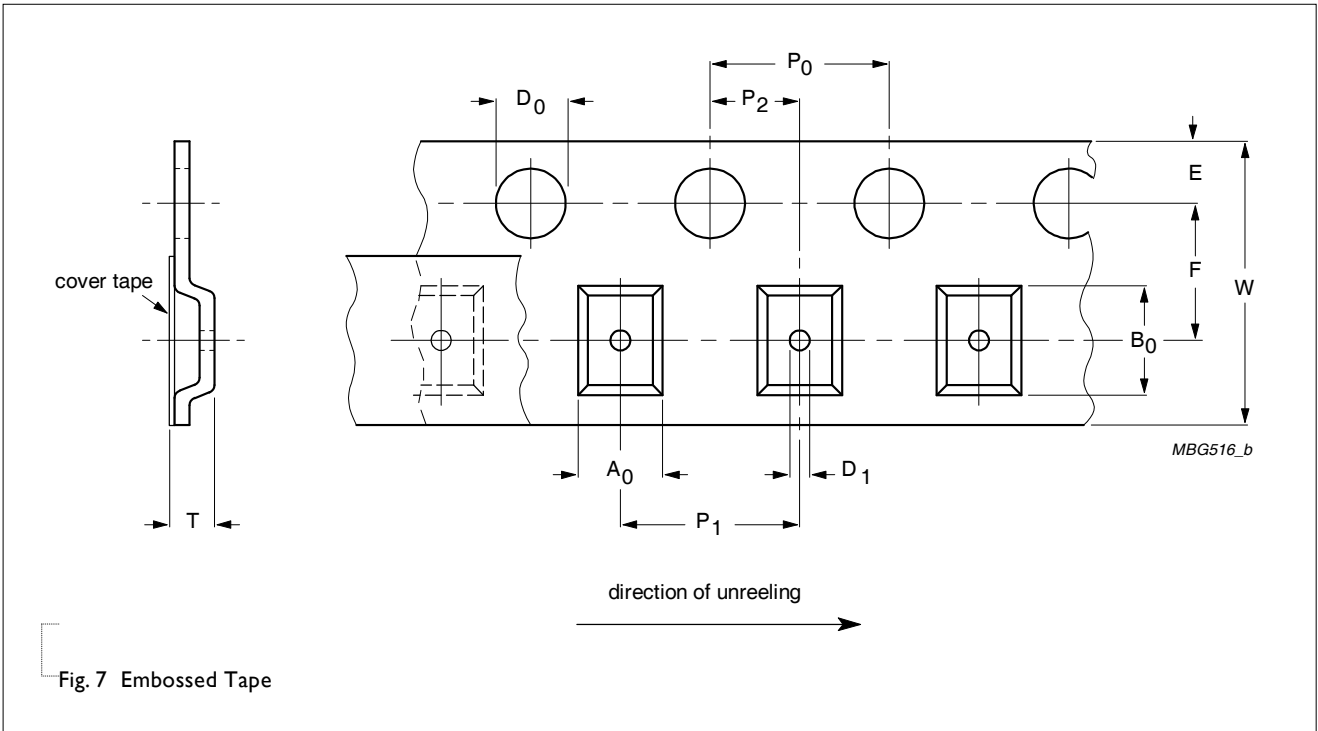


Fig. 7 Embossed Tape

Table 4 Dimensions of paper tape for relevant chip resistors size

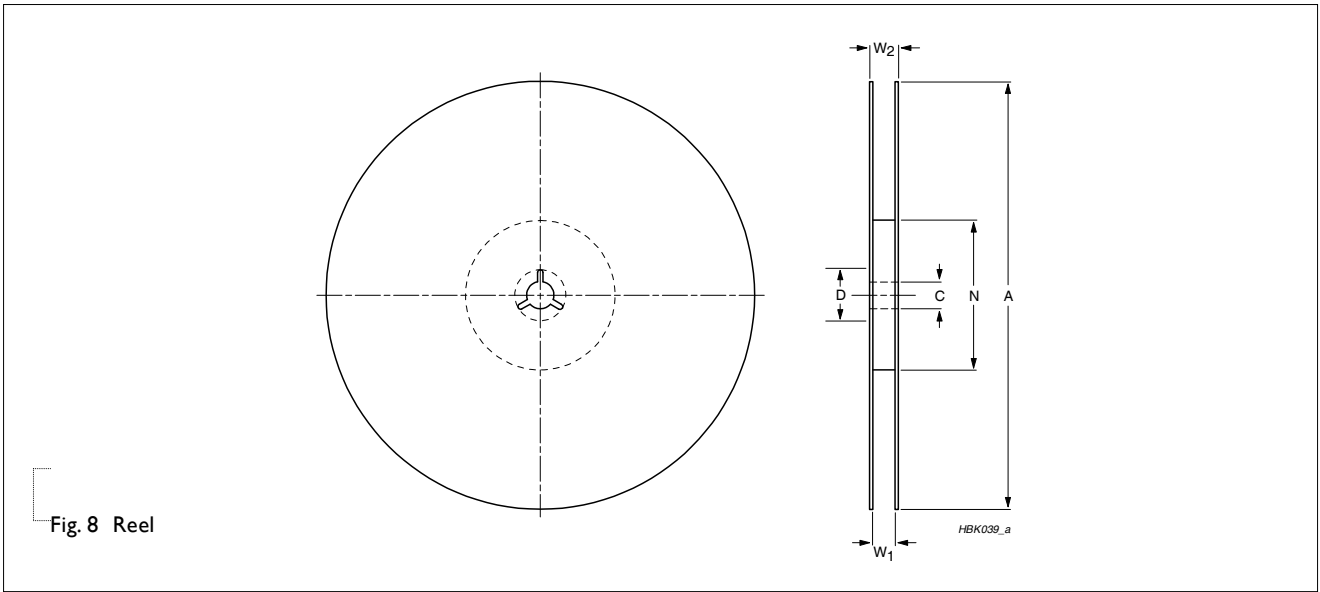
SIZE	SYMBOL										Unit: mm
	A <sub>0</sub>	B <sub>0</sub>	W	E	F	P <sub>0</sub>	P <sub>1</sub>	P <sub>2</sub>	ΦD <sub>0</sub>	T	
PA0100	0.24±0.03	0.45±0.03	8.00±0.20	1.75±0.10	3.50±0.05	4.00±0.05	2.00±0.10	2.00±0.05	1.50±0.10	0.31±0.10	
PA0201	0.39±0.10	0.70±0.10	8.00±0.30	1.75±0.10	3.50±0.10	4.00±0.10	2.00±0.10	2.00±0.10	1.55±0.05	0.43±0.10	
PA0402	0.59±0.10	1.10±0.10	8.00±0.30	1.75±0.10	3.50±0.10	4.00±0.10	2.00±0.10	2.00±0.10	1.55±0.05	0.53±0.10	
PA0603	1.08±0.10	1.90±0.10	8.00±0.30	1.75±0.10	3.50±0.10	4.00±0.10	4.00±0.10	2.00±0.10	1.55±0.05	0.60±0.10	
PA0805	1.60±0.10	2.35±0.10	8.00±0.30	1.75±0.10	3.50±0.10	4.00±0.10	4.00±0.10	2.00±0.10	1.55±0.05	0.60±0.10 <sup>(1)</sup>	
	1.60±0.10	2.35±0.10	8.00±0.30	1.75±0.10	3.50±0.10	4.00±0.10	4.00±0.10	2.00±0.10	1.55±0.05	0.53±0.10 <sup>(2)</sup>	
PA1206	1.90±0.10	3.50±0.10	8.00±0.30	1.75±0.10	3.50±0.10	4.00±0.10	4.00±0.10	2.00±0.10	1.55±0.05	0.85±0.15	

Note: 1.  $1\text{m}\Omega \leq R \leq 2\text{m}\Omega$  ( $T = 0.60 \pm 0.10\text{mm}$ )  
 2.  $2.5\text{m}\Omega \leq R \leq 20\text{m}\Omega$  ( $T = 0.53 \pm 0.10\text{mm}$ )

Table 5 Dimensions of embossed tape for relevant chip resistors size

SIZE	SYMBOL										Unit: mm
	A <sub>0</sub>	B <sub>0</sub>	W	E	F	P <sub>0</sub>	P <sub>1</sub>	P <sub>2</sub>	ΦD <sub>0</sub>	T	
PA2010	3.40±0.15	6.70±0.15	12.0±0.30	1.75±0.10	5.50±0.10	4.00±0.10	4.00±0.10	2.00±0.10	1.55±0.10	0.85±0.15	
PA2512	3.40±0.15	6.70±0.15	12.0±0.30	1.75±0.10	5.50±0.10	4.00±0.10	4.00±0.10	2.00±0.10	1.55±0.10	0.80±0.15	

**REEL SPECIFICATION**



**Table 6** Dimensions of reel specification for relevant chip resistors size

SIZE	QUANTITY PER REEL	REEL SIZE		SYMBOL				
		8mm TAPE WIDE	12mm TAPE WIDE	A	N	C	D	W <sub>1</sub>
PA0100	20,000	7" (Φ178mm)	-	180.0+0/-3.0	60.0+1/-0	13.00±0.2	21.0±0.8	9.0±0.3
PA0201	10,000	7" (Φ178mm)	-	178.0±1.0	60.0+1/-0	13.50±0.5	21.0±0.8	9.0±0.5
PA0402	10,000	7" (Φ178mm)	-	178.0±1.0	60.0+1/-0	13.50±0.5	21.0±0.8	9.0±0.5
PA0603	5,000	7" (Φ178mm)	-	178.0±1.0	60.0+1/-0	13.50±0.5	21.0±0.8	9.0±0.5
PA0805	5,000	7" (Φ178mm)	-	178.0±1.0	60.0+1/-0	13.50±0.5	21.0±0.8	9.0±0.5
PA1206	4,000	7" (Φ178mm)	-	178.0±1.0	60.0+1/-0	13.50±0.5	21.0±0.8	9.0±0.5
PA2010	4,000	-	7" (Φ178mm)	178.0±1.0	60.0+1/-0	13.50±0.5	21.0±0.8	13.6±0.5
PA2512	4,000	-	7" (Φ178mm)	178.0±1.0	60.0+1/-0	13.50±0.5	21.0±0.8	13.6±0.5

**LEADER/TRAILER TAPE SPECIFICATION**

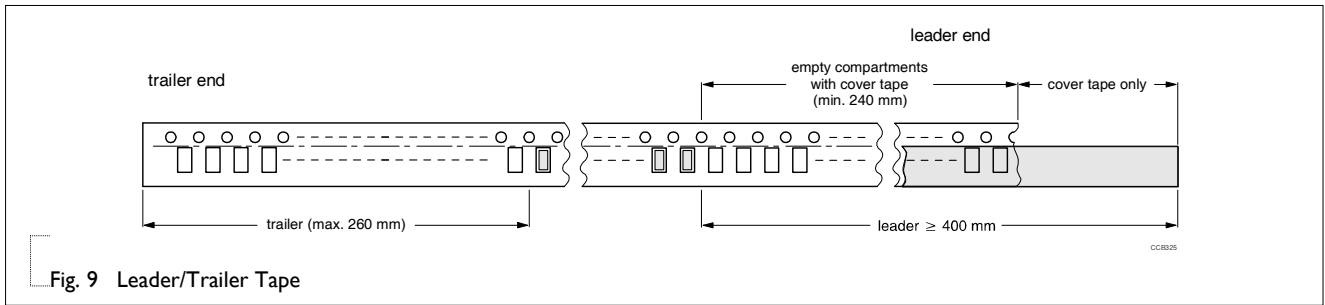


Fig. 9 Leader/Trailer Tape

**FOOTPRINT AND SOLDERING PROFILES**

For recommended soldering profiles, please refer to data sheet “Chip resistors mounting”.

**FOOTPRINT**

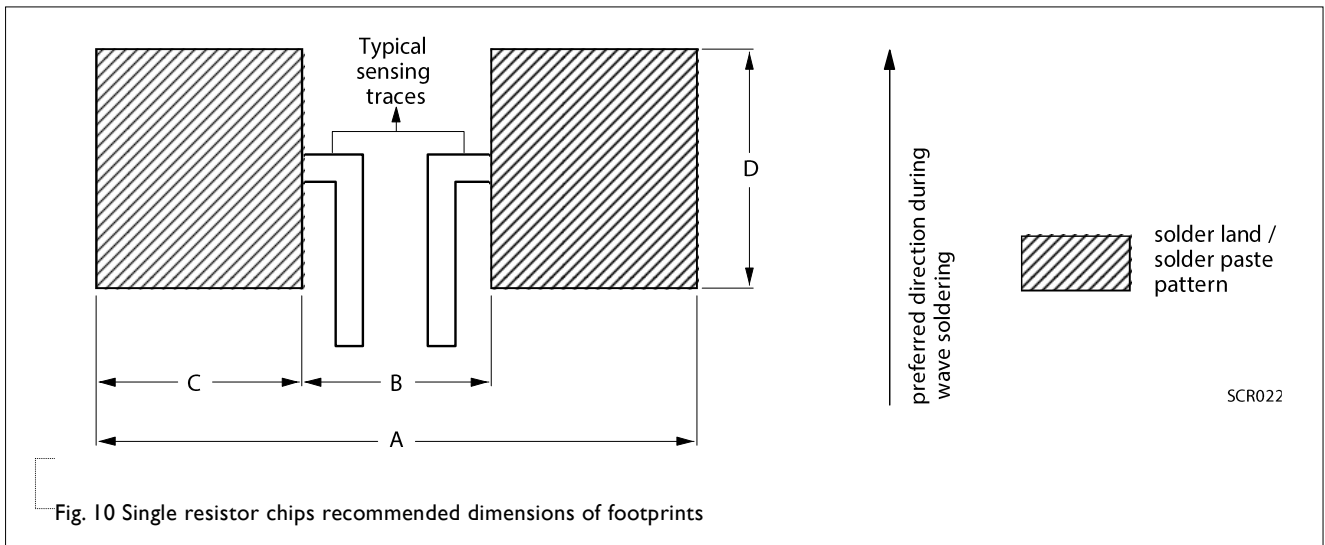


Fig. 10 Single resistor chips recommended dimensions of footprints

Table 7 Footprint dimensions

TYPE	RESISTANCE RANGE	A	B	C	D	Unit: mm
PA0100	10mΩ ≤ R < 100mΩ	0.5~0.8	0.16~0.2	0.17~0.3	0.2~0.4	
PA0201	5mΩ ≤ R < 50mΩ	1.00	0.30	0.35	0.40	
PA0402	2mΩ ≤ R ≤ 20mΩ	2.00	0.40	0.80	0.60	
PA0603	1mΩ	2.20	0.80	0.70	0.90	
	1mΩ < R ≤ 20mΩ	2.20	0.80	0.70	0.90	
PA0805	0.5mΩ / 1mΩ	4.10	0.50	1.80	1.44	
	1.5mΩ ≤ R ≤ 20mΩ	4.60	1.00	1.80	1.44	
PA1206 (0L/WL/4L)	1mΩ / 2mΩ	3.90	0.90	1.50	1.78	
PA1206 (07/7W/47)	1mΩ ≤ R ≤ 2mΩ	4.20	1.00	1.60	1.84	
	2.5mΩ / 3mΩ	4.80	1.00	1.90	1.84	
	4mΩ ≤ R ≤ 20mΩ	4.80	1.20	1.80	1.84	
PA2010	1mΩ ≤ R ≤ 3mΩ	6.00	1.60	2.30	3.00	
	4mΩ ≤ R ≤ 20mΩ	6.00	3.50	1.25	3.00	
PA2512	0.5mΩ ≤ R ≤ 1mΩ	7.36	0.50	3.43	3.68	
	1mΩ ≤ R ≤ 4mΩ	7.37	1.27	3.05	3.68	
	5mΩ ≤ R ≤ 6mΩ	7.40	3.18	2.11	3.68	
	7mΩ ≤ R ≤ 20mΩ	7.36	4.06	1.65	3.68	

## TESTS AND REQUIREMENTS

Table 8 Test condition, procedure and requirements

TEST	TEST METHOD	PROCEDURE	REQUIREMENT
Short time overload	IEC 60115-1 8.1	5 times of rated power for 5 seconds at room temperature	0100 : $\pm(2.0\%+0.0005\Omega)$ 0201~2010: $\pm(1.0\%+0.0005\Omega)$ 2512 : $\pm(0.5\%+0.0005\Omega)$ No visible damage
High Temperature Exposure	MIL-STD-202-Method 108	1,000 hours at maximum operating temperature depending on specification, unpowered Tolerances: 0100/0201/0402: $125\pm 3^{\circ}\text{C}$ 0603/0805/1206/2010/2512: $170\pm 3^{\circ}\text{C}$	0100 : $\pm(3.0\%+0.0005\Omega)$ Others : $\pm(1.0\%+0.0005\Omega)$
Temperature Cycling	JESD22-A104	1000 cycles Dwell time is 15 minutes. Devices mounted Air – Air. PA0100~0402: $-55/+125^{\circ}\text{C}$ PA0603~2512: $-55/+155^{\circ}\text{C}$	Others : $\pm(1.0\%+0.0005\Omega)$ 2512 : $\pm(0.5\%+0.0005\Omega)$
Biased Humidity	MIL-STD-202-Method 103	1,000 hours; $85^{\circ}\text{C} / 85\% \text{ RH}$ 10% of operating power	0100 : $\pm(3.0\%+0.0005\Omega)$ 0201~2010: $\pm(1.0\%+0.0005\Omega)$ 2512 : $\pm(0.5\%+0.0005\Omega)$
Operational Life/ Endurance	MIL-STD-202 method 108 IEC 60115-1 7.1	1,000 hours at $70\pm 2^{\circ}\text{C}$ applied rated power 1.5 hours on, 0.5 hour off, still air required	0100 : $\pm(3.0\%+0.0005\Omega)$ others $\pm(1.0\%+0.0005\Omega)$
Resistance to Solvents	MIL-STD-202-Method 215	Immerse in isopropyl alcohol for 5 min with ultrasonic at room temperature	No visible damage
Mechanical Shock	MIL-STD-202-Method 213	Three shocks in each direction shall be applied along the three mutually perpendicular axes of the test specimen. Peak value: 100 g's Duration: 6 ms Velocity change: 12.3 ft/s Waveform: Half sine	0100 : $\pm(1.0\%+0.0005\Omega)$ Others : $\pm(0.5\%+0.0005\Omega)$
Vibration	MIL-STD-202 Method 204	5 g's for 20 min., 12 cycles each of 3 orientations Test from 10-2000 Hz.	0100 : $\pm(1.0\%+0.0005\Omega)$ Others : $\pm(0.5\%+0.0005\Omega)$
Resistance to Soldering Heat	MIL-STD-202-Method 210	Specimen passed 3 times reflow temperature at $260^{\circ}\text{C}$ , with solder.	0100 : $\pm(1.0\%+0.0005\Omega)$ Others : $\pm(0.5\%+0.0005\Omega)$ No visible damage
Electrostatic Discharge	AEC-Q200-002	Human Body Model, 1 pos + 1 neg. 0805/ 1206/ 2010/ 2512 : 2KV 0402/ 0603 : 1KV 0100/ 0201 : 500V	$\pm(1.0\%+0.0005\Omega)$ No visible damage
Solderability	J-STD-002	Baking 4 hours @ $155^{\circ}\text{C}$ dry heat, dipping at $245 \pm 3^{\circ}\text{C}$ for $5 \pm 0.5$ second. Baking 4 hours @ $155^{\circ}\text{C}$ dry heat, dipping at $260 \pm 3^{\circ}\text{C}$ for $30 \pm 0.5$ second.	Well tinned (>95% covered) No visible damage

TEST	TEST METHOD	PROCEDURE	REQUIREMENT
Flammability	UL94	Try to inflame a specimen by a needle flame	No ignition of specimen;V-0
Board Flex / Bending	AEC-Q200-005	Chips mounted on a glass epoxy resin PCB (FR4), Bending for 0100: 5mm 0201: 3mm 0402 and above: 2mm Holding time: Min.60 seconds	±(1.0%+0.0005Ω)
Terminal Strength (SMD)	AEC-Q200-006	Applied 0100: 1N 0201: 3N 0402: 5N 0603/0805/1206/2010/2512: 17.7N for 60±1 seconds.	±(1.0%+0.0005Ω) No visible damage
Flame Retardance	AEC-Q200-001	Apply voltage to increase the surface temp to 350 °C	No flame, no explosion
Temperature Coefficient of Resistance (T.C.R.)	IEC 60115-1 4.8	0100~2010 at +25/+125 °C 2512 at +25/+150°C Formula: $T.C.R = \frac{R_2 - R_1}{R_1(t_2 - t_1)} \times 10^6 \text{ (ppm/°C)}$ Where t1 =+25 °C or specified room temperature 0100~2010: t2 =+125 °C test temperature 2512 : t2 =+150°C test temperature  R1=resistance at reference temperature in ohms R2=resistance at test temperature in ohms	Refer to table 2
FOS	ASTM-B-809-95* * Modified	Sulfur 750 hours, 105 °C. unpowered	0100: ±(5.0%+0.05Ω) Others: ±(4.0%+0.05Ω)

REVISION HISTORY

REVISION	DATE	CHANGE NOTIFICATION	DESCRIPTION
Version 9	Feb. 23, 2026	-	- Extend 0805 resistance range
Version 8	Dec. 15, 2025	-	- Update PA0402 TCR range & 0603 0805 Operating power operating temperature range
Version 7	Nov. 26, 2025	-	- Update PA1206 TCR range
Version 6	May 28, 2025	-	- Extend PA2512 (2W) resistance range
Version 5	Apr. 14, 2025	-	- Extend PA0805 resistance range
Version 4	Jan. 16, 2025	-	- Add PA1206 resistance range
Version 3	Dec. 30, 2022	-	- Extend PA01005 & PA0201's resistance range
Version 2	Aug. 06, 2021	-	- Add size of PA2512 and PA1206(0L/WL/4L)
Version 1	Jun. 10, 2021	-	- Add size of PA0100 and tol. $\pm 0.5\%$ for 0201/0402/0603/2010
Version 0	May. 07, 2020	-	- New datasheet for automotive grade current sensor – PA0201/0402/0603/0805/1206/2010 series.

## LEGAL DISCLAIMER

YAGEO, its distributors and agents (collectively, "YAGEO"), hereby disclaims any and all liabilities for any errors, inaccuracies or incompleteness contained in any product related information, including but not limited to product specifications, datasheets, pictures and/or graphics. YAGEO may make changes, modifications and/or improvements to product related information at any time and without notice.

YAGEO makes no representation, warranty, and/or guarantee about the fitness of its products for any particular purpose or the continuing production of any of its products. To the maximum extent permitted by law, YAGEO disclaims (i) any and all liability arising out of the application or use of any YAGEO product, (ii) any and all liability, including without limitation special, consequential or incidental damages, and (iii) any and all implied warranties, including warranties of fitness for a particular purpose, non-infringement and merchantability.

YAGEO products are designed for general purpose applications under normal operation and usage conditions. Please contact YAGEO for the applications listed below which require especially high reliability for the prevention of defects which might directly cause damage to the third party's life, body or property: Aerospace equipment (artificial satellite, rocket, etc.), Atomic energy-related equipment, Aviation equipment, Disaster prevention equipment, crime prevention equipment, Electric heating apparatus, burning equipment, Highly public information network equipment, data-processing equipment, Medical devices, Military equipment, Power generation control equipment, Safety equipment, Traffic signal equipment, Transportation equipment and Undersea equipment, or for any other application or use in which the failure of YAGEO products could result in personal injury or death, or serious property damage. Particularly **YAGEO Corporation and its affiliates do not recommend the use of commercial or automotive grade products for high reliability applications or manned space flight.**

Information provided here is intended to indicate product specifications only. YAGEO reserves all the rights for revising this content without further notification, as long as products are unchanged. Any product change will be announced by PCN.